



FCC/IC- TEST REPORT

Report Number : **709502302446-00A** Date of Issue: July 04, 2023

Model : MT01-4001-069003

Product Type : VT Tilt Motor

Applicant : Rollease Acmeda Inc

Address : 7th Floor / 750 East Main Street, Stamford, CT 06902, USA

Production Facility : Ningbo Dooya Mechanic & Electronic Technology Co., Ltd.

Address : No.168 Shengguang Road, Luotuo, Zhenhai 315202 Ningbo,

: Zhejiang province People's Republic of China

Test Result : **Positive** **Negative**

Total pages including Appendices : 20

TÜV SÜD Certification and Testing (China) Co., Ltd. Shanghai Branch is a subcontractor to TÜV SÜD Product Service GmbH according to the principles outlined in ISO 17025.

TÜV SÜD Certification and Testing (China) Co., Ltd. Shanghai Branch reports apply only to the specific samples tested under stated test conditions. Construction of the actual test samples has been documented. It is the manufacturer's responsibility to assure that additional production units of this model are manufactured with identical electrical and mechanical components. The manufacturer/importer is responsible to the Competent Authorities in Europe for any modifications made to the production units which result in non-compliance to the relevant regulations. TÜV SÜD Certification and Testing (China) Co., Ltd. Shanghai Branch shall have no liability for any deductions, inferences or generalizations drawn by the client or others from TÜV SÜD Certification and Testing (China) Co., Ltd. Shanghai Branch issued reports.

*This report is the confidential property of the client. As a mutual protection to our clients, the public and ourselves, extracts from the test report shall not be reproduced except in full without our written approval.
dc*



1 Table of Contents

1	Table of Contents	2
2	Details about the Test Laboratory	3
3	Description of the Equipment Under Test.....	4
4	Summary of Test Standards.....	5
5	Summary of Test Results	6
6	General Remarks	7
7	Systems test configuration	8
8	Test Setups	9
9	Test Methodology.....	10
9.1	Radiated Emission.....	10
9.2	Bandwidth Measurement & 99% Occupied Bandwidth.....	14
9.3	Deactivation Time	16
10	Test Equipment List	17
11	System Measurement Uncertainty	18
12	Photographs of Test Set-ups	19
13	Photographs of EUT	20

2 Details about the Test Laboratory

Details about the Test Laboratory

Test Site 1

Company name: TÜV SÜD Certification and Testing (China) Co., Ltd. Shanghai Branch
No.16 Lane, 1951 Du Hui Road,
Shanghai 201108,
P.R. China

FCC Registration Number: 820234
Designation Number: CN1183
IC Company Number: 25988
CAB identifier: CN0101
Telephone: +86 21 6141 0123
Fax: +86 21 6140 8600

3 Description of the Equipment Under Test

Product:	VT Tilt Motor
Model no./HVIN:	MT01-4001-069003
FCC ID:	2AGGZ003B9ACA49
IC:	21769-003B9ACA49
Rating:	DC 12V
RF Transmission Frequency:	433.92 MHz
No. of Operated Channel:	1
Modulation:	FSK
Antenna Type:	Line Antenna
Antenna Gain:	-1 dBi for 433.92MHz SRD
Description of the EUT:	The Equipment Under Test (EUT) is a VT Tilt Motor with SRD function. We tested it and listed the worst data in this report.
Test sample no.:	SHA-723326-2

The sample's mentioned in this report is/are submitted/ supplied/ manufactured by client. The laboratory therefore assumes no responsibility for accuracy of information on the brand name, model number, origin of manufacture, consignment, antenna gain or any information supplied.

4 Summary of Test Standards

Test Standards	
FCC Part 15 Subpart C	PART 15 - RADIO FREQUENCY DEVICES Subpart C - Intentional Radiators
RSS-Gen Issue 5 Amendment 2 February 2021	General Requirements for the Certification of Radio Apparatus
RSS-210 Issue 10 December 2019	RSS-210 - Licence-exempt Radio Apparatus (All Frequency Bands): Category I Equipment

All the test methods were according to ANSI C63.10-2013.

5 Summary of Test Results

Technical Requirements				
FCC Part 15 Subpart C, RSS-210 Issue 10				
Test Condition		Pages	Test Site	Test Result
§15.207, RSS-GEN A8.8	Conducted emission AC power port	N/A	N/A	Not Applicable
§15.205, §15.209, 15.35 (c)§15.231(b), RSS-210 A.1.2	Radiated Emission, 30MHz to 4.5GHz	13-17	3m chamber	Pass
§15.231(c), RSS-210 A.1.3	Bandwidth Measurement & 99% Occupied Bandwidth	18-19	Shield room	Pass
§15.231(a)(1), RSS-210 A.1.1(b)	Deactivation Time	20	Shield room	Pass
§15.203, RSS-Gen 6.	Antenna requirement	--	See Note 2	Pass

Note 1: N/A=Not Applicable. Conducted emission is not apply for battery operated device.

Note 2: The EUT uses a line Antenna, which gain is -1dBi for 433.92MHz SRD. In accordance to §15.203, It is considered sufficiently to comply with the provisions of this section.

6 General Remarks

Remarks

This submittal(s) (test report) is intended for FCC ID: 2AGGZ003B9ACA49, IC: 21769-003B9ACA49 complies with Section 15.205, 15.209, 15.231 of the FCC Part 15, Subpart C Rules, RSS-Gen Issue 5 and RSS-210 Issue 10.

SUMMARY:

All tests according to the regulations cited on page 5 were

- Performed

- **Not** Performed

The Equipment Under Test

- **Fulfills** the general approval requirements.

- **Does not** fulfill the general approval requirements.

Sample Received Date: April 19, 2023

Testing Start Date: April 19, 2023

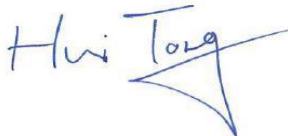
Testing End Date: May 9, 2023

-TÜV SÜD Certification and Testing (China) Co., Ltd. Shanghai Branch

Reviewed by:

Prepared by:

Tested by:



Hui TONG
EMC Section Manager

Prepared by:

Wenqiang LU
EMC Project Engineer



Yiquan WANG
EMC Test Engineer

7 Systems test configuration

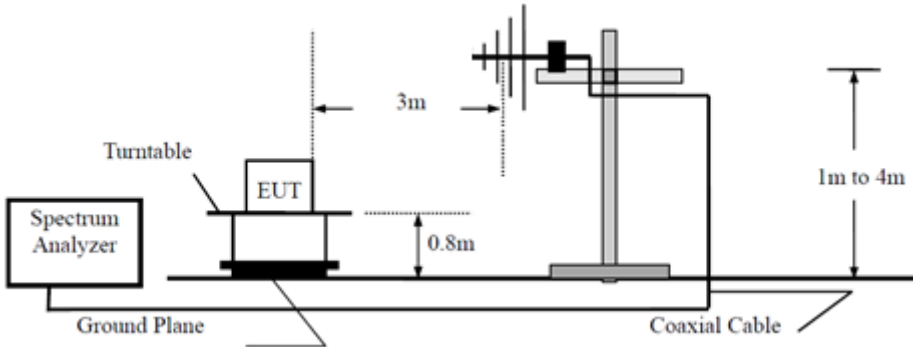
Auxiliary Equipment Used during Test:

DESCRIPTION	MANUFACTURER	MODEL NO.(SHIELD)	S/N(LENGTH)
--	--	--	--

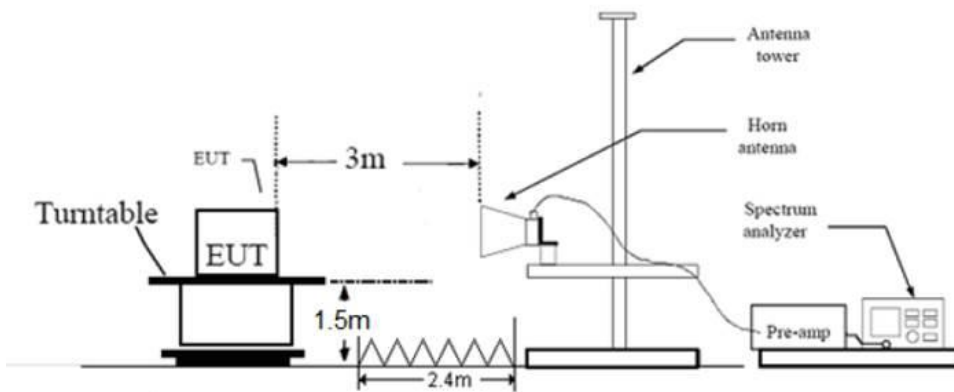
8 Test Setups

8.1 Radiated test setups

Below 1GHz



Above 1GHz



9 Test Methodology

9.1 Radiated Emission

Test Method

1. The EUT was placed on a turn table which is 1.5m above ground plane for above 1GHz and 0.8m above ground for below 1GHz at 3 meters chamber room for test. The table was rotated 360 degrees to determine the position of the highest radiation.
2. Set to the maximum power setting and enable the EUT transmit continuously
3. The EUT was set 3 meters away from the interference – receiving antenna, which was mounted on the top of a variable – height antenna tower.
4. The height of antenna is varied from one meter to four meters above the ground to determine the maximum value of the field strength. Both horizontal and vertical polarizations of the antenna are set to make the measurement.
5. For each suspected emission, the EUT was arranged to its worst case and then the antenna was tuned to heights from 1 meter to 4 meters and the rotatable table was turned from 0 degrees to 360 degrees to find the maximum reading.
6. Use the following spectrum analyzer settings According to C63.10:
 - (1) Span shall wide enough to fully capture the emission being measured;
 - (2) Set RBW=100 kHz for $f < 1$ GHz; VBW RBW; Sweep = auto; Detector function = peak; Trace = max hold;
 - (3) Set RBW = 1 MHz, VBW= 3MHz for $f \geq 1$ GHz for peak measurement.
 For average measurement:
 VBW = 10 Hz, when duty cycle is no less than 98 percent.
 VBW $\geq 1/T$, when duty cycle is less than 98 percent where T is the minimum transmission duration over which the transmitter is on and is transmitting at its maximum power control level for the tested mode of operation.
7. Repeat above procedures until all frequencies measured were complete.

Limit

According to §15.231 (b), the field strength of emissions from intentional radiators operated under this section shall not exceed the following:

Fundamental frequency (MHz)	Field Strength of Fundamental (Microvolts /meter)	Field Strength of spurious emissions ((Microvolts /meter)
40.66-40.70	2,250	225
70-130	1,250	125
130-174	1,250 to 3,370 *	125 to 375 *
174-260	3,750	375
260-470 \checkmark	3,750 to 12,500*	375 to 1,250*
Above 470	12,500	1,250

Limits for 15.209 Radiated emission limits; general requirements

Frequency (MHz)	Field strength (microvolts/meter)	Measurement distance (meters)
0.009-0.490	2400/F(kHz)	300
0.490-1.705	24000/F(kHz)	30
1.705-30.0	30	30
30-88	100	3
88-216	150	3
216-960	200	3
Above 960	500	3

Frequency	Limit at 3m (dBuV/m)
0.009 MHz – 0.490 MHz	128.5 to 93.8 ¹
0.490 MHz – 1.705 MHz	73.8 to 63 ¹
1.705 MHz – 30 MHz	69.5 ¹
30 MHz – 88 MHz	40.0 ¹
88 MHz – 216 MHz	43.5 ¹
216 MHz – 960 MHz	46.0 ¹
Above 960 MHz	54.0 ¹
Above 1000 MHz	54.0 ²
Above 1000 MHz	74.0 ³

¹Limit is with detector with bandwidths as defined in CISPR-16-1-1 except for the frequency bands 9-90 kHz, 110-490 kHz and above 1000 MHz where an Average detector is used.

²Limit is with 1 MHz measurement bandwidth and using an Average detector

³Limit is with 1 MHz measurement bandwidth and using a Peak detector

Spurious radiated emissions for transmitter

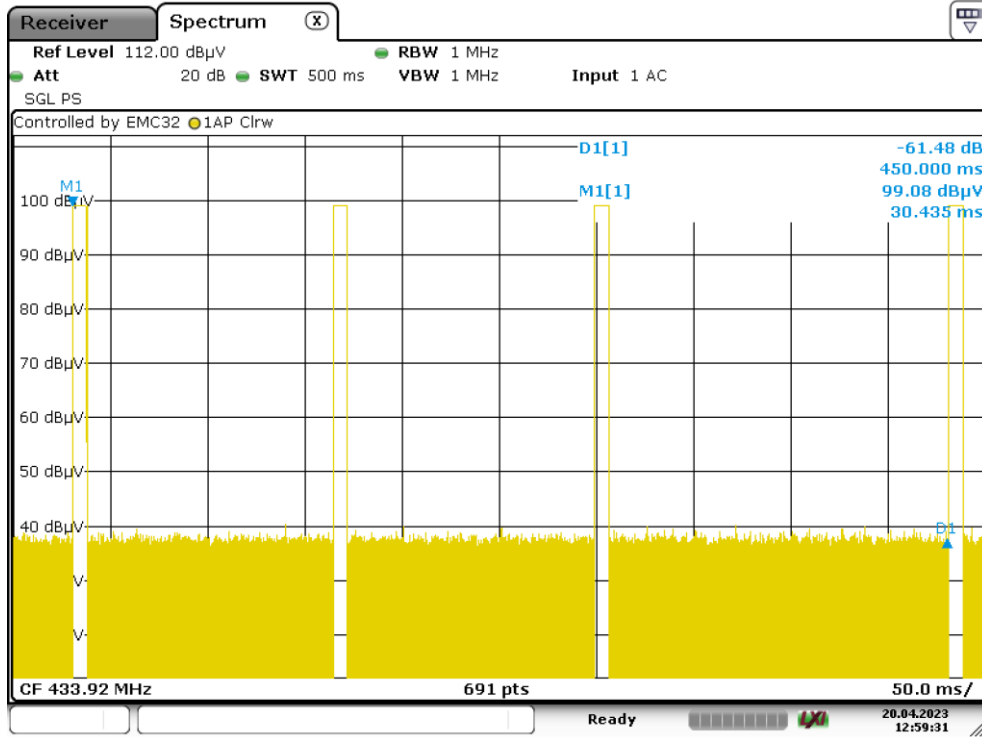
According to C63.10, if the peak (or quasi-peak) measured value complies with the average limit, it is unnecessary to perform an average measurement, so AV emission value did not show in below table if the peak value complies with average limit.

Antenna polarization	Frequency (MHz)	Duty Cycle Factor(dB)	Corrected Reading (dBuV/m)	Emission Type	Limit (dBuV/m)	Margin	Detector
H	433.908	0	91.829	Fundamental	100.80	8.971	PK
H	433.908	-22.62	69.209	Fundamental	80.80	11.591	AV
V	433.908	0	88.134	Fundamental	100.80	12.666	PK
V	433.908	-22.62	65.514	Fundamental	80.80	15.286	AV
H	872.542	0	39.638	Harmonics	80.80	41.162	PK
H	872.542	-22.62	17.018	Harmonics	60.80	43.782	AV
V	860.999	0	39.164	Harmonics	80.80	41.636	PK
V	860.999	-22.62	16.544	Harmonics	60.80	44.256	AV
H	1302.1	0	38.831	Harmonics	80.80	41.969	PK
H	1302.1	-22.62	16.211	Harmonics	60.80	44.589	AV
V	2083.2	0	38.521	Harmonics	74.00	35.479	PK
V	2083.2	-22.62	15.901	Harmonics	54.00	38.099	AV
V	3037.5	0	43.97	Harmonics	80.80	36.83	PK
V	3037.5	-22.62	21.35	Harmonics	60.80	39.45	AV
H	3660.9	0	43.087	Harmonics	74.00	30.913	PK
H	3660.9	-22.62	20.467	Harmonics	54.00	33.533	AV
H	3945.3	0	43.614	Harmonics	74.00	30.386	PK
H	3945.3	-22.62	20.994	Harmonics	54.00	33.006	AV

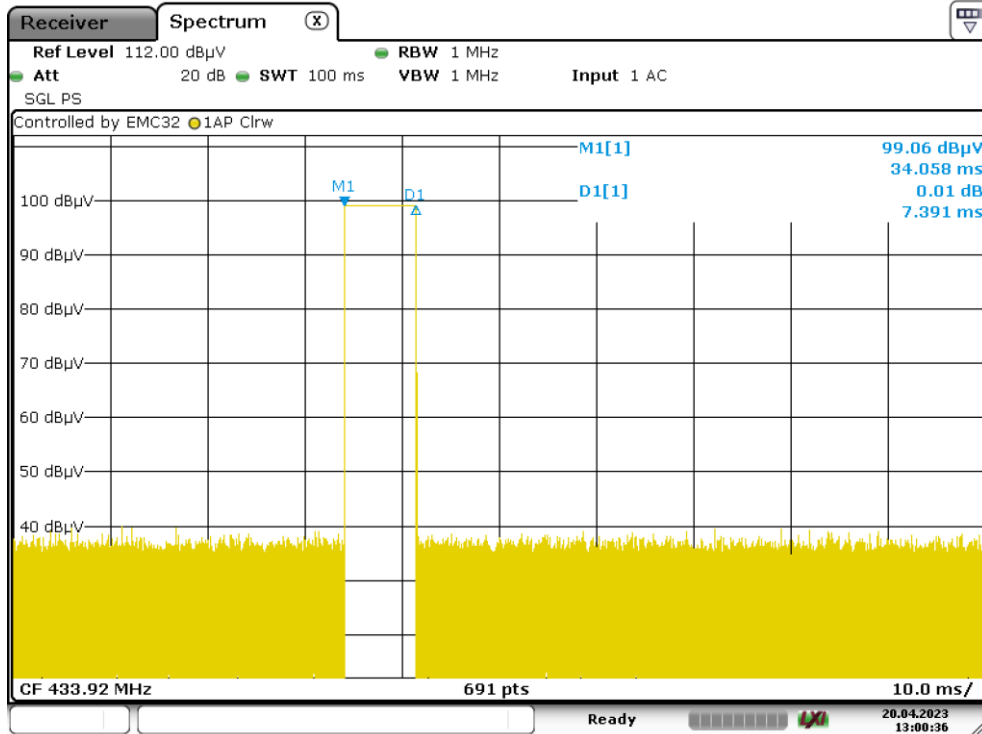
Remark:

- 1: AV Emission Level= PK Emission Level+20log (duty cycle)
- 2: Other than listed in the table are attenuated more than 20dB below the permissible limit of the field strength, therefore no data appear in the report.
- 3: "*" means the emission(s) appear within the restrict bands shall follow the requirement of section 15.205.
- 4: Corrected Amplitude = Read level + Corrector factor
 Above 1GHz: Corrector factor = Antenna Factor + Cable Loss- Amplifier Gain
 Below 1GHz: Corrector factor = Antenna Factor + Cable Loss
- 5: Correct Factor = Antenna Factor + Cable Loss (+ Amplifier, for higher than 1GHz)
- 6: Corrected Reading = Original Receiver Reading + Correct Factor
- 7: Only the worst data listed in this report

Duty Cycle = 7.391ms/100 (ms) =7.391%
 Duty Cycle Factor =20log (Duty Cycle) =-22.62



Date: 20.APR.2023 12:59:31



Date: 20.APR.2023 13:00:36

9.2 Bandwidth Measurement & 99% Occupied Bandwidth

Test Method

1. The RF output of EUT was connected to the test receiver by RF cable. The path loss was compensated to the results for each measurement.
2. Set to the maximum power setting and enable the EUT transmit continuously.
3. Use the following test receiver settings:
Span = approximately 5 times the 20dB bandwidth, centered on a hopping channel
RBW =1% to 5% of the 20dB bandwidth of the emission being measured, VBW≥RBW,
Sweep = auto, Detector function = peak, Trace = max hold
4. Allow the trace to stabilize. Use the marker-to-peak function to set the marker to the peak of the emission. Measure the frequency difference of two frequencies that were attenuated 20 dB from the reference level. Record the frequency difference as the emission bandwidth. Record the results.
5. Repeat above procedures until all frequencies measured were complete.

Limit

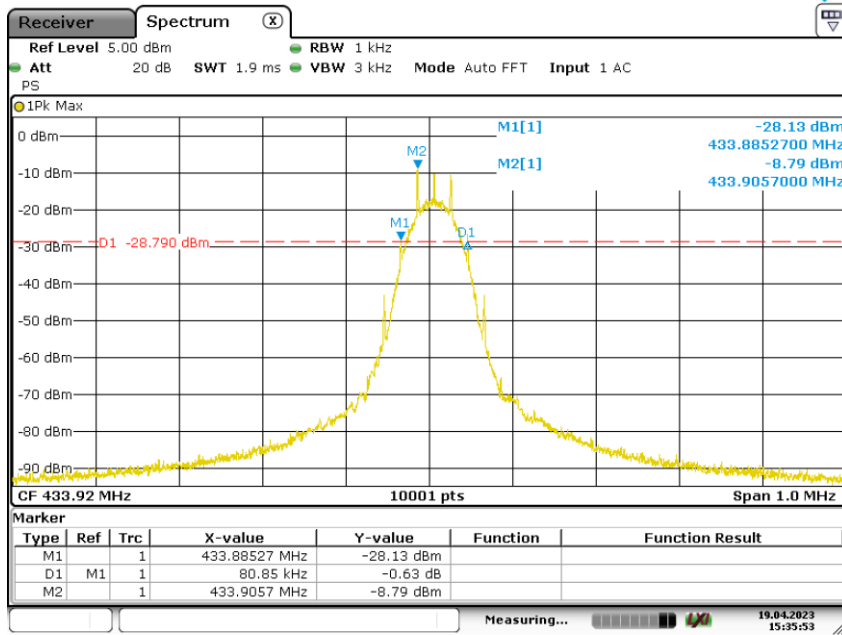
The bandwidth of the emission shall be no wider than 0.25% of the center frequency for devices operating above 70MHz and below 900MHz. For devices operating above 900MHz, the emission shall be no wider than 0.5% of the center frequency. Bandwidth is determined at the points 20dB down from the modulated carrier.

The limit for the EUT = 0.25% * 433.92 MHz = 1085 kHz

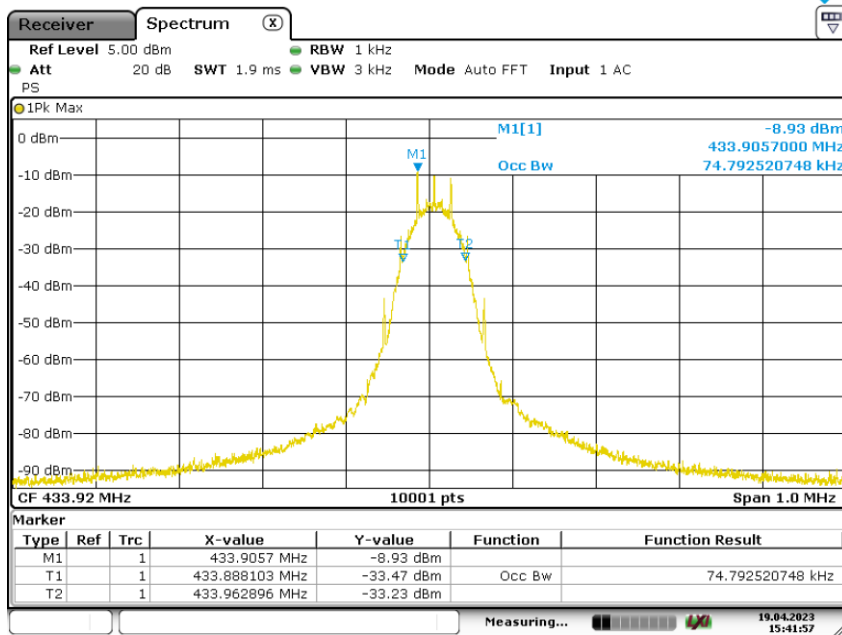
Test Result

Channel	20dB Bandwidth (KHz)	Limit (KHz)
1	80.85	1085

Channel	99% Bandwidth (KHz)	Limit (KHz)
1	74.79	N/A



Date: 19. APR. 2023 15:35:54



Date: 19. APR. 2023 15:41:57

9.3 Deactivation Time

Test Method

1. The RF output of EUT was connected to the test receiver by RF cable. The path loss was compensated to the results for each measurement.
2. Set to the maximum power setting and enable the EUT in transmitting mode.
3. Set center frequency of spectrum analyzer=operating frequency.
4. Set the spectrum analyzer as RBW=120 KHz, VBW=1MHz, Span=0Hz.
5. Repeat above procedures until all frequency measured was complete.

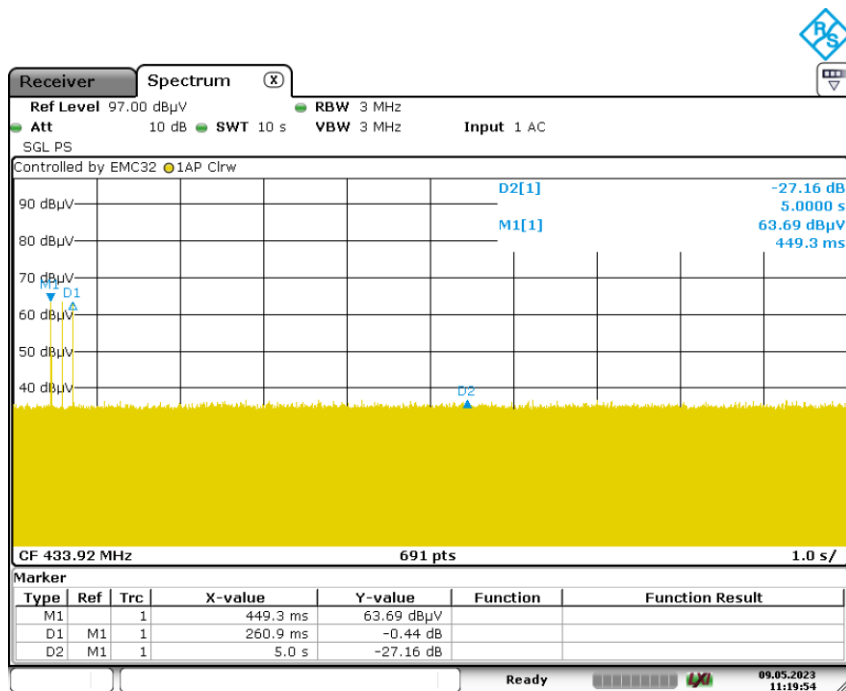
Limit

According to FCC Part 15.231 (a), the transmitter shall be complied the following requirements:

- (v) (1) A manually operated transmitter shall employ a switch that will automatically deactivate the transmitter within not more than 5 seconds of being released.
- (2) A transmitter activated automatically shall cease transmission within 5 seconds after activation.
- (3) Periodic transmissions at regular predetermined intervals are not permitted. However, polling or supervision transmissions, including data, to determine system integrity of transmitters used in security or safety applications are allowed if the total duration of transmissions does not exceed more than two seconds per hour for each transmitter. There is no limit on the number of individual transmissions, provided the total transmission time does not exceed two seconds per hour.

Test Result

Channel	Frequency	Deactivation Time	Result
1	433.92MHz	260.9ms	Pass



Date: 9.MAY.2023 11:19:54

10 Test Equipment List

List of Test Instruments

RF Test

Description	Manufacturer	Model no.	Serial no.	Calibration Date	Calibration Due
Signal and spectrum analyzer	R&S	FSV40	S1503003-YQ-EMC	2022-8-01	2023-7-31

Radiated Emission Test

USED	Equipment Name	Model	Manufacturer	Equipment ID.	Calibration Date	Calibration Due
<input checked="" type="checkbox"/>	EMI test receiver	ESR3	R&S	S1503109-YQ-EMC	2022-8-01	2023-7-31
<input checked="" type="checkbox"/>	Trilog super broadband test antenna	SCHWARZBECK	VULB9168	S1808296-YQ-EMC	2021-9-23	2024-9-22
<input checked="" type="checkbox"/>	Double-ridged waveguide horn antenna	HF907	R&S	S1503009-YQ-EMC	2021-4-13	2024-4-12
<input checked="" type="checkbox"/>	Signal conditioning unit	SCU-18D	R&S	S1503012-YQ-EMC	2022-8-01	2023-7-31
<input checked="" type="checkbox"/>	Signal and spectrum analyzer	FSV40	R&S	S1503003-YQ-EMC	2022-8-01	2023-7-31
<input checked="" type="checkbox"/>	Loop antenna	HFH2-Z2	R&S	S1503013-YQ-EMC	2022-6-13	2023-6-12

11 System Measurement Uncertainty

For a 95% confidence level, the measurement expanded uncertainties for defined systems, in accordance with the recommendations of ISO 17025 were:

Items	Extended Uncertainty
Radiated Disturbance	30MHz to 1GHz, 5.03dB (Horizontal) 5.11dB (Vertical) 1GHz to 18GHz, 5.15dB (Horizontal) 5.12dB (Vertical) 18GHz to 25GHz, 4.76dB

Measurement Uncertainty Decision Rule:

Determination of conformity with the specification limits is based on the decision rule according to IEC Guide 115: 2021, clause 4.4.3 and 4.5.1.

12 Photographs of Test Set-ups

Refer to the < Test Setup photos >.

13 Photographs of EUT

Refer to the < External Photos > & < Internal Photos >.

THE END