



TEST REPORT

FCC Part 27

Report Reference No. : **CTL2103122022-WF07**

Compiled by: Happy Guo
(position+printed name+signature) (File administrators)

Happy Guo

Tested by: Gray Gao
(position+printed name+signature) (Test Engineer)

Gray Gao

Approved by: Ivan Xie
(position+printed name+signature) (Manager)

Ivan Xie

Product Name : TT1001 10.1 inch Tablet

Model/Type reference : TT1001V2

List Model(s)..... : N/A

Trade Mark..... : N/A

FCC ID..... : 2AGCDJACSTT1001V2

Applicant's name : **JACS Solutions, Inc.**

Address of applicant : 809 Pinnacle Drive, Suite R, Linthicum Heights, MD 21090

Test Firm..... : **Shenzhen CTL Testing Technology Co., Ltd.**

Address of Test Firm : Floor 1-A, Baisha Technology Park, No.3011, Shahexi Road,
Nanshan District, Shenzhen, China 518055

Test specification..... :

Standard : **FCC CFR Title 47 Part 2, Part 27**
EIA/TIA 603-D: 2010
KDB 971168 D01

TRF Originator : Shenzhen CTL Testing Technology Co., Ltd.

Master TRF..... : Dated 2011-01

Date of receipt of test item : Mar. 19, 2021

Date of sampling..... : Mar. 19, 2021

Date of Test Date..... : Mar. 19, 2021-Apr. 29, 2021

Data of Issue..... : Apr. 30, 2021

Result..... : Pass

Shenzhen CTL Testing Technology Co., Ltd. All rights reserved.

This publication may be reproduced in whole or in part for non-commercial purposes as long as the Shenzhen CTL Testing Technology Co., Ltd. is acknowledged as copyright owner and source of the material. Shenzhen CTL Testing Technology Co., Ltd. takes no responsibility for and will not assume liability for damages resulting from the reader's interpretation of the reproduced material due to its placement and context.

TEST REPORT

Test Report No. : CTL2103122022-WF07	Apr. 30, 2021 ----- Date of issue
---	---

Equipment under Test : TT1001 10.1 inch Tablet

Sample No : CTL210312202-1-S002

Model /Type : TT1001V2

Listed Models : N/A

Applicant : **JACS Solutions, Inc.**

Address : 809 Pinnacle Drive, Suite R, Linthicum Heights, MD
21090

Manufacturer : **JACS Solutions, Inc.**

Address : 809 Pinnacle Drive, Suite R, Linthicum Heights, MD
21090

Test result	Pass *
--------------------	---------------

*In the configuration tested, the EUT complied with the standards specified page 5.

The test results presented in this report relate only to the object tested.

This report shall not be reproduced, except in full, without the written approval of the issuing testing laboratory.

Table of Contents

Page

1. SUMMARY	5
1.1. TEST STANDARDS	5
1.2. TEST DESCRIPTION	5
1.3. TEST FACILITY	6
1.4. STATEMENT OF THE MEASUREMENT UNCERTAINTY	6
2. GENERAL INFORMATION	7
2.1. ENVIRONMENTAL CONDITIONS	7
2.2. GENERAL DESCRIPTION OF EUT	7
2.3. DESCRIPTION OF TEST MODES	7
2.4. EQUIPMENTS USED DURING THE TEST	8
2.5. RELATED SUBMITTAL(S) / GRANT (S)	8
2.6. MODIFICATIONS	8
3. TEST CONDITIONS AND RESULTS	9
3.1. OUTPUT POWER	9
3.2. PEAK-TO-AVERAGE RATIO (PAR)	15
3.3. OCCUPIED BANDWIDTH AND EMISSION BANDWIDTH	16
3.4. BAND EDGE COMPLIANCE	17
3.5. SPURIOUS EMISSION	18
3.6. FREQUENCY STABILITY UNDER TEMPERATURE & VOLTAGE VARIATIONS	40
4. TEST SETUP PHOTOS OF THE EUT	42
5. EXTERNAL AND INTERNAL PHOTOS OF THE EUT	43

1. SUMMARY

1.1. TEST STANDARDS

The tests were performed according to following standards:

[FCC Part 27](#) : MISCELLANEOUS WIRELESS COMMUNICATIONS SERVICES

[TIA/EIA 603 D June 2010](#):Land Mobile FM or PM Communications Equipment Measurement and Performance Standards.

[FCC Part 2](#): FREQUENCY ALLOCA-TIONS AND RADIO TREATY MAT-TERS; GENERAL RULES AND REG-ULATIONS

[KDB971168 D01: v02r02](#) MEASUREMENT GUIDANCE FOR CERTIFICATION OF LICENSED DIGITAL TRANSMITTERS

[ANSI C63.10: 2013](#): American National Standard for Testing Unlicensed Wireless Devices

[ANSI C63.4: 2014](#): –American National Standard for Methods of Measurement of Radio-Noise Emissions from Low-Voltage Electrical and Electronic Equipment in the Range of 9 kHz to 40GHz
Range of 9 kHz to 40GHz

1.2. Test Description

Test Item	Section in CFR 47	Result
RF Output Power	Part 2.1046 Part 27.50(d)(4)	Pass
Peak-to-Average Ratio	Part 27.50(d)(4)	Pass
99% & -26 dB Occupied Bandwidth	Part 2.1049 Part 27.53(h)	Pass
Spurious Emissions at Antenna Terminal	Part 2.1051 Part 27.53(h)	Pass
Field Strength of Spurious Radiation	Part 2.1053 Part 27.53(h)	Pass
Out of band emission, Band Edge	Part 2.1051 Part 27.53(h)	Pass
Frequency stability	Part 2.1055 Part 27.54	Pass

1.3. Test Facility

1.3.1 Address of the test laboratory

Shenzhen CTL Testing Technology Co., Ltd.

Floor 1-A, Baisha Technology Park, No. 3011, Shahexi Road, Nanshan, Shenzhen 518055 China

There is one 3m semi-anechoic chamber and two line conducted labs for final test. The Test Sites meet the requirements in documents ANSI C63.4 and CISPR 32/EN 55032 requirements.

1.3.2 Laboratory accreditation

The test facility is recognized, certified, or accredited by the following organizations:

CNAS-Lab Code: L7497

Shenzhen CTL Testing Technology Co., Ltd. has been assessed and proved to be in compliance with CNAS-CL01 Accreditation Criteria for Testing and Calibration Laboratories (identical to ISO/IEC 17025: 2005 General Requirements) for the Competence of Testing and Calibration Laboratories.

A2LA-Lab Cert. No. 4343.01

Shenzhen CTL Testing Technology Co., Ltd, EMC Laboratory has been accredited by A2LA for technical competence in the field of electrical testing, and proved to be in compliance with ISO/IEC 17025: 2005 General Requirements for the Competence of Testing and Calibration Laboratories and any additional program requirements in the identified field of testing.

IC Registration No.: 9618B

CAB identifier: CN0041

The 3m alternate test site of Shenzhen CTL Testing Technology Co., Ltd. EMC Laboratory has been registered by Innovation, Science and Economic Development Canada to test to Canadian radio equipment requirements with Registration No.: 9618B on Jan. 22, 2019.

FCC-Registration No.: 399832

Designation No.: CN1216

Shenzhen CTL Testing Technology Co., Ltd. EMC Laboratory has been registered and fully described in a report filed with the (FCC) Federal Communications Commission. The acceptance letter from the FCC is maintained in our files. Registration 399832, December 08, 2017.

1.4. Statement of the measurement uncertainty

The data and results referenced in this document are true and accurate. The reader is cautioned that there may be errors within the calibration limits of the equipment and facilities. The measurement uncertainty was calculated for all measurements listed in this test report acc. to CISPR 16 - 4 "Specification for radio disturbance and immunity measuring apparatus and methods – Part 4: Uncertainty in EMC Measurements" and is documented in the Shenzhen CTL Testing Technology Co., Ltd. quality system acc. to DIN EN ISO/IEC 17025. Furthermore, component and process variability of devices similar to that tested may result in additional deviation. The manufacturer has the sole responsibility of continued compliance of the device.

Hereafter the best measurement capability for CTL laboratory is reported:

Test	Range	Measurement Uncertainty	Notes
Radiated Emission	30~1000MHz	4.10dB	(1)
Radiated Emission	Above 1GHz	4.32dB	(1)
Conducted Disturbance	0.15~30MHz	3.20dB	(1)

(1) This uncertainty represents an expanded uncertainty expressed at approximately the 95% confidence level using a coverage factor of k=2.

2. GENERAL INFORMATION

2.1. Environmental conditions

During the measurement the environmental conditions were within the listed ranges:

Normal Temperature:	25°C
Relative Humidity:	55 %
Air Pressure:	101 kPa

2.2. General Description of EUT

Product Name:	TT1001 10.1 inch Tablet		
Model/Type reference:	TT1001V2		
Power supply:	DC 3.8V from battery		
Hardware version:	MBV1.0		
Software version:	TT1001_JACS_V1.0.0		
LTE			
Mode:	WCDMA Band V; LTE Band 5;		
Modulation Type:	(WCDMA)QPSK; (LTE)QPSK 16QAM		
Operating Frequency Range(S)	Band	Tx(MHz)	Rx(MHz)
	WCDMA Band IV	1710~1755	2110~2155
	LTE Band 4	1710~1755	2110~2155
	LTE Band 12	699~716	729~746
	LTE Band 13	777~787	746~756
	LTE Band 66	1710~1780	2110~2200
	LTE Band 71	663~698	617~652
Release Version:	Release 9		
Category:	Cat 4		
Antenna type:	PIFA Antenna		
Antenna gain:	0.8dBi		

Note: For more details, please refer to the user's manual of the EUT.

Note1: This report only reports band 4.

2.3. Description of Test Modes

The EUT has been tested under typical operating condition. The CMW500 used to control the EUT staying in continuous transmitting and receiving mode for testing. Regards to the frequency band operation: the lowest, middle and highest frequency of channel were selected to perform the test, then shown on this report.

2.4. Equipments Used during the Test

Test Equipment	Manufacturer	Model No.	Serial No.	Calibration Date	Calibration Due Date
Bilog Antenna	Sunol Sciences Corp.	JB1	A061713	2020/05/21	2021/05/20
Bilog Antenna	Sunol Sciences Corp.	JB1	A061714	2020/05/21	2021/05/20
EMI Test Receiver	R&S	ESCI	103710	2020/05/21	2021/05/20
Spectrum Analyzer	Agilent	E4407B	MY41440676	2020/05/21	2021/05/20
Spectrum Analyzer	Agilent	N9020	US46220290	2020/05/21	2021/05/20
Spectrum Analyzer	Keysight	N9020A	MY53420874	2020/05/21	2021/05/20
Controller	EM Electronics	Controller EM 1000	N/A	2020/05/21	2021/05/20
Horn Antenna	Sunol Sciences Corp.	DRH-118	A062013	2020/05/21	2021/05/20
Horn Antenna	Sunol Sciences Corp.	DRH-118	A062014	2020/05/21	2021/05/20
Active Loop Antenna	SCHWARZBEC K	FMZB1519	1519-037	2020/05/21	2021/05/20
Amplifier	Agilent	8349B	3008A02306	2020/05/21	2021/05/20
Amplifier	Agilent	8447D	2944A10176	2020/05/21	2021/05/20
Temperature/Humidity Meter	Gangxing	CTH-608	02	2020/05/21	2021/05/20
Wideband Radio Communication Tester	R&S	CMW500	101814	2020/05/21	2021/05/20
High-Pass Filter	K&L	9SH10-2700/X1 2750-O/O	N/A	2020/05/21	2021/05/20
High-Pass Filter	K&L	41H10-1375/U1 2750-O/O	N/A	2020/05/21	2021/05/20
RF Cable	HUBER+SUHNER	RG214	N/A	2020/05/21	2021/05/20
Climate Chamber	ESPEC	EL-10KA	A20120523	2020/05/21	2021/05/20
Power Sensor	Agilent	U2021XA	MY5365004	2020/05/21	2021/05/20
Power Meter	Agilent	U2531A	TW53323507	2020/05/21	2021/05/20
SIGNAL GENERATOR	Agilent	E4421B	US40051744	2020/05/21	2021/05/20
Directional Coupler	Agilent	87300B	3116A03638	2020/05/21	2021/05/20

The calibration interval was one year

2.5. Related Submittal(s) / Grant (s)

This submittal(s) (test report) is intended to comply with of the Part 27 Rules.

2.6. Modifications

No modifications were implemented to meet testing criteria.

3. TEST CONDITIONS AND RESULTS

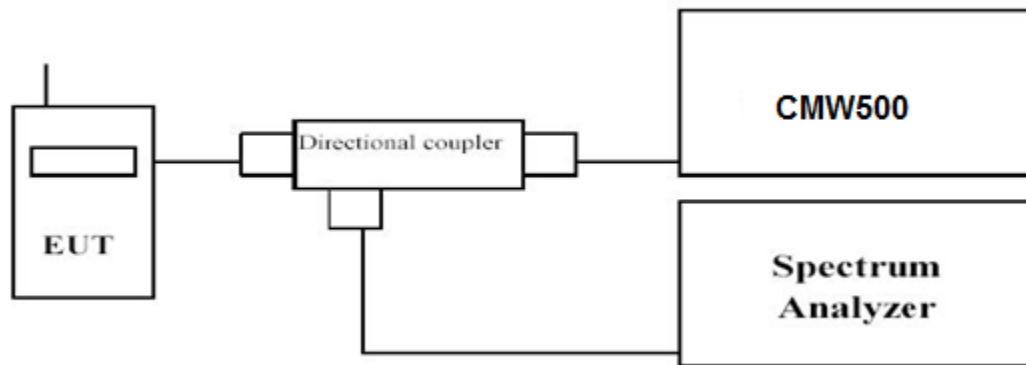
3.1. Output Power

LIMIT

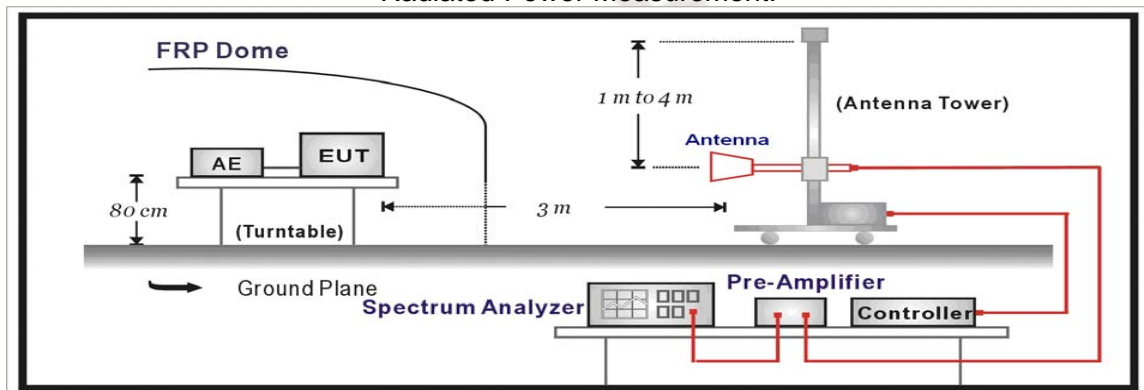
According to §27.50 (d) (4): Fixed, mobile, and portable (hand-held) stations operating in are limited to 1 watt EIRP.

TEST CONFIGURATION

Conducted Power Measurement



Radiated Power Measurement:



TEST PROCEDURE

The EUT was setup according to EIA/TIA 603D

Conducted Power Measurement:

- Place the EUT on a bench and set it in transmitting mode.
- Connect a low loss RF cable from the antenna port to a spectrum analyzer and CMW500 by a Directional Couple.
- EUT Communicate with CMW500 then selects a channel for testing.
- Add a correction factor to the display of spectrum, and then test.

Radiated Power Measurement:

- The EUT shall be placed at the specified height on a support, and in the position closest to normal use as declared by provider.
- The test antenna shall be oriented initially for vertical polarization and shall be chosen to correspond to the frequency of the transmitter
- The output of the test antenna shall be connected to the measuring receiver.

- d) The transmitter shall be switched on and the measuring receiver shall be tuned to the frequency of the transmitter under test.
- e) The test antenna shall be raised and lowered through the specified range of height until a maximum signal level is detected by the measuring receiver.
- f) The transmitter shall then be rotated through 360° in the horizontal plane, until the maximum signal level is detected by the measuring receiver.
- g) The test antenna shall be raised and lowered again through the specified range of height until a maximum signal level is detected by the measuring receiver.
- h) The maximum signal level detected by the measuring receiver shall be noted.
- i) The transmitter shall be replaced by a substitution antenna.
- j) The substitution antenna shall be orientated for vertical polarization and the length of the substitution antenna shall be adjusted to correspond to the frequency of the transmitter.
- k) The substitution antenna shall be connected to a calibrated signal generator.
- l) If necessary, the input attenuator setting of the measuring receiver shall be adjusted in order to increase the sensitivity of the measuring receiver.
- m) The test antenna shall be raised and lowered through the specified range of height to ensure that the maximum signal is received.
- n) The input signal to the substitution antenna shall be adjusted to the level that produces a level detected by the measuring receiver, that is equal to the level noted while the transmitter radiated power was measured, corrected for the change of input attenuator setting of the measuring receiver.
- o) The measurement shall be repeated with the test antenna and the substitution antenna orientated for horizontal polarization.
- p) The measure of the effective radiated power is the larger of the two levels recorded at the input to the substitution antenna, corrected for gain of the substitution antenna if necessary.
- q) Test site anechoic chamber refer to ANSI C63.4.

TEST RESULTS**Conducted Measurement :**

1. please refer to Appendix B: Section B.1
2. please refer to Appendix E: Section E.1
3. please refer to Appendix G: Section G.1
4. please refer to Appendix H: Section H.1
5. please refer to Appendix J: Section J.1
6. please refer to Appendix K: Section K.1

Radiated Measurement:**Limits**

Rule Part 27.50(b)(10) specifies that " Portable stations (hand-held devices) transmitting in the 746~757 MHz , 776MHz~788MHz, and 805~806MHz bands are limited to 3 watts ERP "

Rule Part 27.50(c)(10) specifies that " Portable stations (hand-held devices) in the 600MHz uplink band and the 698-746MHz band, and mobile stations in the 600MHz uplik band are limited to 3 watts ERP "

Rule Part 27.50(d)(4) specifies that " mobile stations (hand-held) stations operating in the 1710~1755 MHz , band and mobile and portable stations operating in the 1695MHz~1710MHz and 1755~1780MHz bands are limited to 1 watts ERP "

Remark:

1. We were tested all RB Configuration refer 3GPP TS136 521 for each Channel Bandwidth of LTE FDD Band 4; recorded worst case for each Channel Bandwidth of LTE Band 4, Band 12, Band 13, Band 66, Band 71.
2. $EIRP = P_{Mea}(dBm) - P_{ci}(dB) + P_{Ag}(dB) + G_a(dBi)$

WCDMA Band IV

Mode	Channel	Frequency (MHz)	EIRP (dBm)	Limit (dBm)	Polarization	Conclusion
WCDMA Band IV	Low	1712.4	23.36	30.00	H	Pass
	Mid	1732.6	23.09	30.00	H	Pass
	High	1752.6	23.41	30.00	H	Pass

LTE FDD Band 4

Bandwidth	Channel	Frequency (MHz)	EIRP (dBm)	Limit (dBm)	Polarization	Conclusion
1.4MHz QPSK	Low	1710.7	25.16	30.00	H	Pass
	Mid	1732.5	25.34	30.00	H	Pass
	High	1754.3	25.57	30.00	H	Pass
3MHz QPSK	Low	1711.5	25.62	30.00	H	Pass
	Mid	1732.5	25.42	30.00	H	Pass
	High	1753.5	25.82	30.00	H	Pass
5MHz QPSK	Low	1712.5	25.92	30.00	H	Pass
	Mid	1732.5	25.82	30.00	H	Pass
	High	1752.5	25.26	30.00	H	Pass
10MHz QPSK	Low	1715.0	25.42	30.00	H	Pass
	Mid	1732.5	25.35	30.00	H	Pass
	High	1750.0	25.62	30.00	H	Pass
15MHz QPSK	Low	1717.5	25.82	30.00	H	Pass
	Mid	1732.5	25.62	30.00	H	Pass
	High	1747.5	25.42	30.00	H	Pass
20MHz	Low	1720.0	25.62	30.00	H	Pass

QPSK	Mid	1732.5	25.12	30.00	H	Pass
	High	1745.0	25.78	30.00	H	Pass
1.4MHz 16QAM	Low	1710.7	25.92	30.00	H	Pass
	Mid	1732.5	25.72	30.00	H	Pass
	High	1754.3	25.62	30.00	H	Pass
3MHz 16QAM	Low	1711.5	25.72	30.00	H	Pass
	Mid	1732.5	25.25	30.00	H	Pass
	High	1753.5	25.42	30.00	H	Pass
5MHz 16QAM	Low	1712.5	25.62	30.00	H	Pass
	Mid	1732.5	25.42	30.00	H	Pass
	High	1752.5	25.51	30.00	H	Pass
10MHz 16QAM	Low	1715.0	25.42	30.00	H	Pass
	Mid	1732.5	25.62	30.00	H	Pass
	High	1750.0	25.12	30.00	H	Pass
15MHz 16QAM	Low	1717.5	25.22	30.00	H	Pass
	Mid	1732.5	25.62	30.00	H	Pass
	High	1747.5	25.78	30.00	H	Pass
20MHz 16QAM	Low	1720.0	25.62	30.00	H	Pass
	Mid	1732.5	25.72	30.00	H	Pass
	High	1745.0	25.62	30.00	H	Pass

LTE FDD Band 12

Bandwidth	Channel	Frequency (MHz)	ERP (dBm)	Limit (dBm)	Polarization	Conclusion
1.4MHz QPSK	Low	699.7	26.16	34.77	H	Pass
	Mid	707.5	26.34	34.77	H	Pass
	High	715.3	26.57	34.77	H	Pass
3MHz QPSK	Low	700.5	26.42	34.77	H	Pass
	Mid	707.5	26.36	34.77	H	Pass
	High	714.5	26.47	34.77	H	Pass
5MHz QPSK	Low	701.5	26.52	34.77	H	Pass
	Mid	707.5	26.62	34.77	H	Pass
	High	713.5	26.57	34.77	H	Pass
10MHz QPSK	Low	704.0	26.52	34.77	H	Pass
	Mid	707.5	26.62	34.77	H	Pass
	High	711.0	26.72	34.77	H	Pass
1.4MHz 16QAM	Low	699.7	26.36	34.77	H	Pass
	Mid	707.5	26.72	34.77	H	Pass
	High	715.3	26.92	34.77	H	Pass
3MHz 16QAM	Low	700.5	26.72	34.77	H	Pass
	Mid	707.5	26.25	34.77	H	Pass
	High	714.5	26.25	34.77	H	Pass
5MHz 16QAM	Low	701.5	26.62	34.77	H	Pass
	Mid	707.5	26.25	34.77	H	Pass
	High	713.5	26.62	34.77	H	Pass
10MHz 16QAM	Low	704.0	26.24	34.77	H	Pass
	Mid	707.5	26.62	34.77	H	Pass
	High	711.0	26.36	34.77	H	Pass

LTE FDD Band 13

Bandwidth	Channel	Frequency (MHz)	ERP (dBm)	Limit (dBm)	Polarization	Conclusion
5MHz QPSK	Low	779.5	24.86	34.77	H	Pass
	Mid	782	24.62	34.77	H	Pass
	High	784.5	24.62	34.77	H	Pass
10MHz QPSK	Mid	782	24.82	34.77	H	Pass

5MHz 16QAM	Low	779.5	24.92	34.77	H	Pass
	Mid	782	24.63	34.77	H	Pass
	High	784.5	24.98	34.77	H	Pass
10MHz 16QAM	Low	782	24.38	34.77	H	Pass
	Mid					
	High					

LTE FDD Band 66

Bandwidth	Channel	Frequency (MHz)	EIRP (dBm)	Limit (dBm)	Polarization	Conclusion
1.4MHz QPSK	Low	1710.7	25.16	30.00	H	Pass
	Mid	1745.0	25.34	30.00	H	Pass
	High	1779.3	25.57	30.00	H	Pass
3MHz QPSK	Low	1711.5	25.63	30.00	H	Pass
	Mid	1745.0	25.67	30.00	H	Pass
	High	1778.5	25.78	30.00	H	Pass
5MHz QPSK	Low	1712.5	25.52	30.00	H	Pass
	Mid	1745.5	25.42	30.00	H	Pass
	High	1777.5	25.67	30.00	H	Pass
10MHz QPSK	Low	1715.0	25.63	30.00	H	Pass
	Mid	1745.0	25.36	30.00	H	Pass
	High	1775.0	25.75	30.00	H	Pass
15MHz QPSK	Low	1717.5	25.57	30.00	H	Pass
	Mid	1745.0	25.63	30.00	H	Pass
	High	1772.5	25.67	30.00	H	Pass
20MHz QPSK	Low	1720.0	25.78	30.00	H	Pass
	Mid	1745.0	25.52	30.00	H	Pass
	High	1770.0	25.42	30.00	H	Pass
1.4MHz 16QAM	Low	1710.7	25.67	30.00	H	Pass
	Mid	1745.0	25.63	30.00	H	Pass
	High	1779.3	25.36	30.00	H	Pass
3MHz 16QAM	Low	1711.5	25.75	30.00	H	Pass
	Mid	1745.0	25.57	30.00	H	Pass
	High	1778.5	25.63	30.00	H	Pass
5MHz 16QAM	Low	1712.5	25.67	30.00	H	Pass
	Mid	1745.0	25.78	30.00	H	Pass
	High	1777.5	25.52	30.00	H	Pass
10MHz 16QAM	Low	1715.0	25.42	30.00	H	Pass
	Mid	1745.0	25.67	30.00	H	Pass
	High	1775.0	25.63	30.00	H	Pass
15MHz 16QAM	Low	1717.5	25.36	30.00	H	Pass
	Mid	1745.0	25.75	30.00	H	Pass
	High	1772.5	25.57	30.00	H	Pass
20MHz 16QAM	Low	1720.0	25.63	30.00	H	Pass
	Mid	1745.0	25.67	30.00	H	Pass
	High	1770.0	25.78	30.00	H	Pass

LTE FDD Band 71

Bandwidth	Channel	Frequency (MHz)	ERP (dBm)	Limit (dBm)	Polarization	Conclusion
5MHz QPSK	Low	665.5	24.62	34.77	H	Pass
	Mid	680.5	24.68	34.77	H	Pass
	High	695.5	24.35	34.77	H	Pass
10MHz QPSK	Low	668	24.82	34.77	H	Pass
	Mid	680.5	24.62	34.77	H	Pass
	High	693	24.72	34.77	H	Pass
15MHz QPSK	Low	670.5	24.36	34.77	H	Pass
	Mid	680.5	24.72	34.77	H	Pass

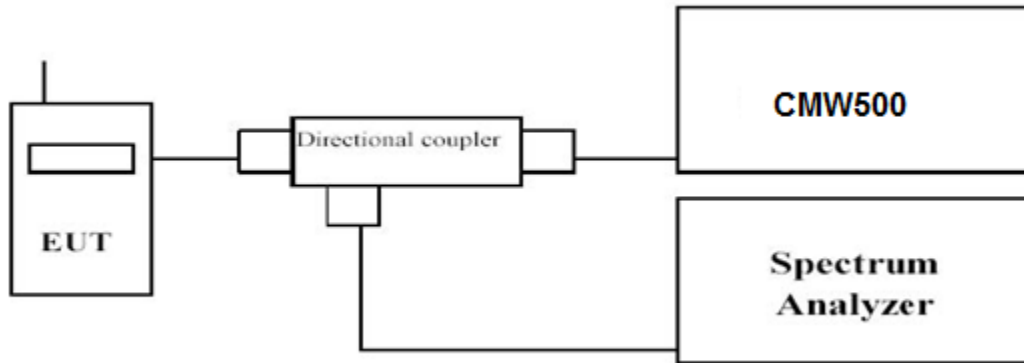
20MHz QPSK	High	690.5	24.34	34.77	H	Pass
	Low	673	24.89	34.77	H	Pass
	Mid	683	24.35	34.77	H	Pass
	High	688	24.12	34.77	H	Pass
5MHz 16QAM	Low	665.5	24.36	34.77	H	Pass
	Mid	680.5	24.75	34.77	H	Pass
	High	695.5	24.15	34.77	H	Pass
10MHz 16QAM	Low	668	24.36	34.77	H	Pass
	Mid	680.5	24.82	34.77	H	Pass
	High	693	24.62	34.77	H	Pass
15MHz 16QAM	Low	670.5	24.72	34.77	H	Pass
	Mid	680.5	24.36	34.77	H	Pass
	High	690.5	24.72	34.77	H	Pass
20MHz 16QAM	Low	673	24.82	34.77	H	Pass
	Mid	683	24.62	34.77	H	Pass
	High	688	24.72	34.77	H	Pass

3.2. Peak-to-Average Ratio (PAR)

LIMIT

The Peak-to-Average Ratio (PAR) of the transmission may not exceed 13 dB.

TEST CONFIGURATION



TEST PROCEDURE

1. Refer to instrument's analyzer instruction manual for details on how to use the power statistics/CCDF function;
2. Set resolution/measurement bandwidth \geq signal's occupied bandwidth;
3. Set the number of counts to a value that stabilizes the measured CCDF curve;
4. Set the measurement interval as follows:
 - 1). for continuous transmissions, set to 1 ms,
 - 2). for burst transmissions, employ an external trigger that is synchronized with the EUT burst timing sequence, or use the internal burst trigger with a trigger level that allows the burst to stabilize and set the measurement interval to a time that is less than or equal to the burst duration.
5. Record the maximum PAPR level associated with a probability of 0.1%.

TEST RESULTS

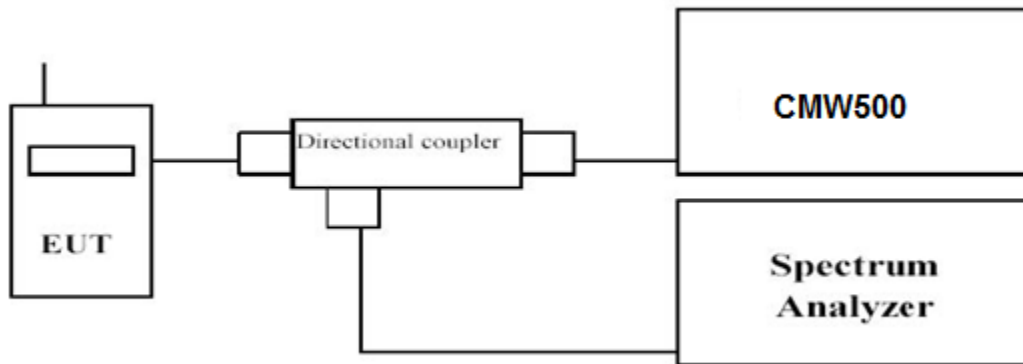
1. please refer to Appendix B: Section B.4
2. please refer to Appendix E: Section E.4
3. please refer to Appendix G: Section G.4
4. please refer to Appendix H: Section H.4
5. please refer to Appendix J: Section J.4
6. please refer to Appendix K: Section K.4

3.3. Occupied Bandwidth and Emission Bandwidth

LIMIT

N/A

TEST CONFIGURATION



TEST PROCEDURE

The transmitter output was connected to a calibrated coaxial cable and coupler, the other end of which was connected to a spectrum analyzer. The occupied bandwidth was measured with the spectrum analyzer at low, middle and high channel in each band. The -26dBc Emission bandwidth was also measured and recorded.

Set RBW was set to about 1% of emission BW, VBW \geq 3 times RBW.

-26dBc display line was placed on the screen (or 99% bandwidth), the occupied bandwidth is the delta frequency between the two points where the display line intersects the signal trace.

TEST RESULTS

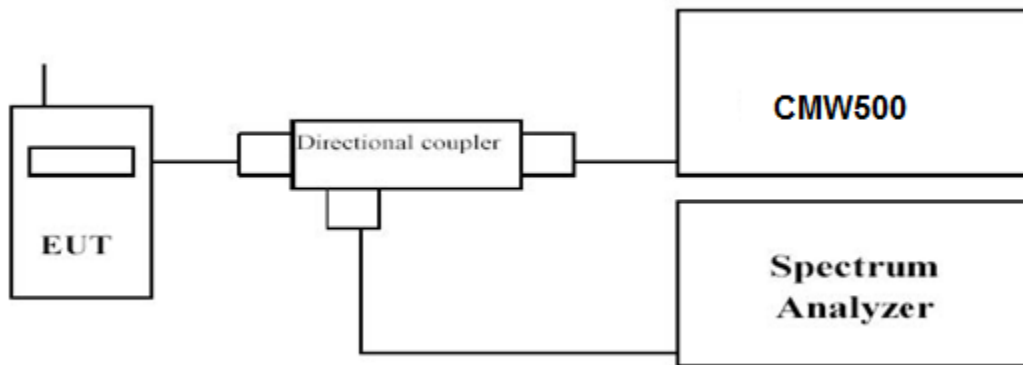
1. please refer to Appendix B: Section B.3
2. please refer to Appendix E: Section E.3
3. please refer to Appendix G: Section G.3
4. please refer to Appendix H: Section H.3
5. please refer to Appendix J: Section J.3
6. please refer to Appendix K: Section K.3

3.4. Band Edge compliance

LIMIT

According to §27.53 (h): For operations in the 1710–1755 MHz and 2110–2155 MHz bands, the power of any emission outside a licensee's frequency block shall be attenuated below the transmitter power (P) by at least $43 + 10 \log_{10}(P)$ dB.

TEST CONFIGURATION



TEST PROCEDURE

1. The transmitter output port was connected to base station.
2. The RF output of EUT was connected to the power meter by RF cable and attenuator, the path loss was compensated to the results for each measurement.
3. Set EUT at maximum power through base station.
4. Select lowest and highest channels for each band and different modulation.
5. Measure Band edge using RMS (Average) detector by spectrum

TEST RESULTS

1. please refer to Appendix B: Section B.5
2. please refer to Appendix E: Section E.1
3. please refer to Appendix G: Section G.1
4. please refer to Appendix H: Section H.1
5. please refer to Appendix J: Section J.1
6. please refer to Appendix K: Section K.1

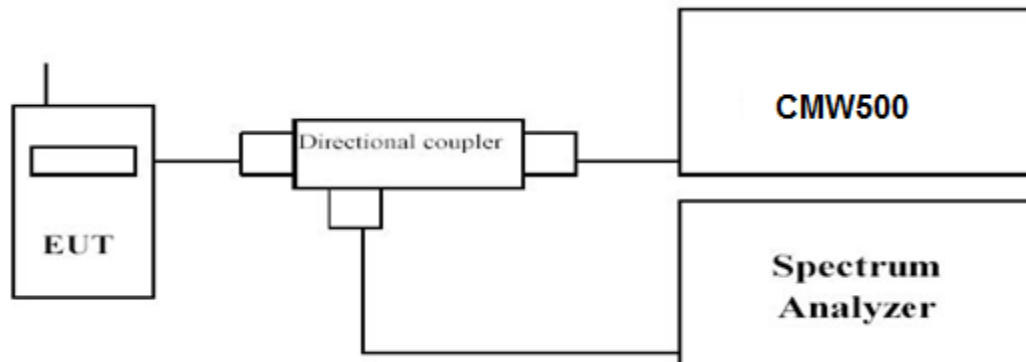
3.5. Spurious Emission

LIMIT

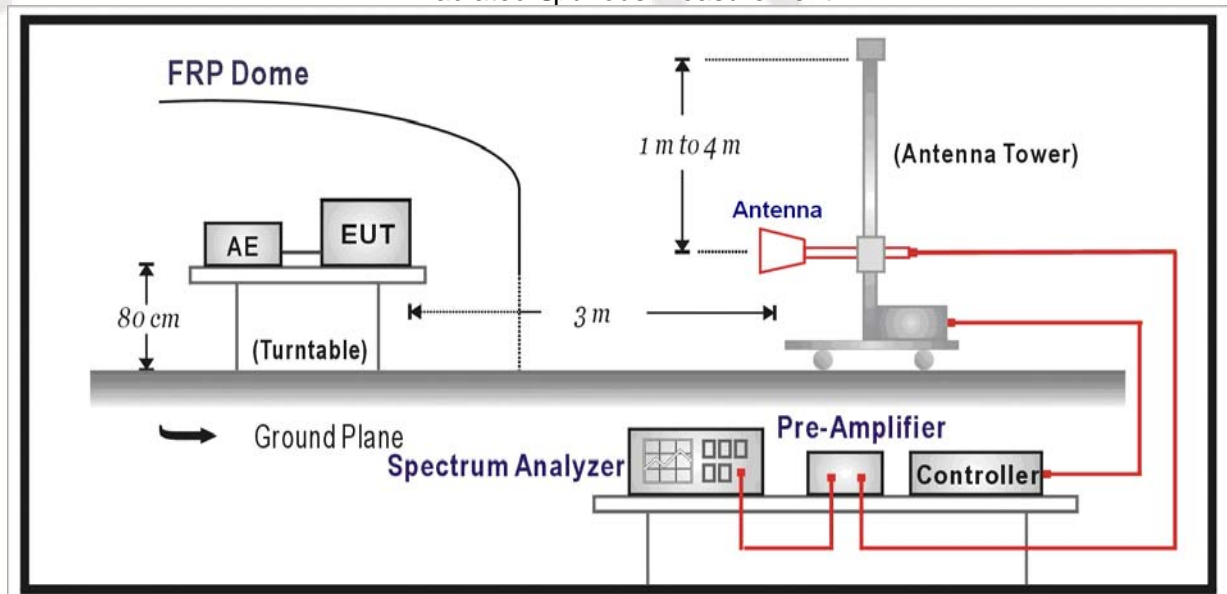
According to §27.53 (h): For operations in the 1710–1755 MHz and 2110–2155 MHz bands, the power of any emission outside a licensee's frequency block shall be attenuated below the transmitter power (P) by at least $43 + 10 \log_{10}(P)$ dB.

TEST CONFIGURATION

Conducted Spurious Measurement:



Radiated Spurious Measurement:



TEST PROCEDURE

The EUT was setup according to EIA/TIA 603D

Conducted Spurious Measurement:

- Place the EUT on a bench and set it in transmitting mode.
- Connect a low loss RF cable from the antenna port to a spectrum analyzer and CMW500 by a Directional Couple.
- EUT Communicate with CMW500 then selects a channel for testing.
- Add a correction factor to the display of spectrum, and then test.
- The resolution bandwidth of the spectrum analyzer was set sufficient scans were taken to show the out of band Emission if any up to 10th harmonic.

Radiated Spurious Measurement:

- a. The EUT shall be placed at the specified height on a support, and in the position closest to normal use as declared by provider.
- b. The test antenna shall be oriented initially for vertical polarization and shall be chosen to correspond to the frequency of the transmitter
- c. The output of the test antenna shall be connected to the measuring receiver.
- d. The transmitter shall be switched on and the measuring receiver shall be tuned to the frequency of the transmitter under test.
- e. The test antenna shall be raised and lowered through the specified range of height until a maximum signal level is detected by the measuring receiver.
- f. The transmitter shall then be rotated through 360° in the horizontal plane, until the maximum signal level is detected by the measuring receiver.
- g. The test antenna shall be raised and lowered again through the specified range of height until a maximum signal level is detected by the measuring receiver.
- h. The maximum signal level detected by the measuring receiver shall be noted.
- i. The transmitter shall be replaced by a substitution antenna.
- j. The substitution antenna shall be orientated for vertical polarization and the length of the substitution antenna shall be adjusted to correspond to the frequency of the transmitter.
- k. The substitution antenna shall be connected to a calibrated signal generator.
- l. If necessary, the input attenuator setting of the measuring receiver shall be adjusted in order to increase the sensitivity of the measuring receiver.
- m. The test antenna shall be raised and lowered through the specified range of height to ensure that the maximum signal is received.
- n. The input signal to the substitution antenna shall be adjusted to the level that produces a level detected by the measuring receiver, that is equal to the level noted while the transmitter radiated power was measured, corrected for the change of input attenuator setting of the measuring receiver.
- o. The measurement shall be repeated with the test antenna and the substitution antenna orientated for horizontal polarization.
- p. The measure of the effective radiated power is the larger of the two levels recorded at the input to the substitution antenna, corrected for gain of the substitution antenna if necessary.
- q. The resolution bandwidth of the spectrum analyzer was set at 100 kHz for Part 22 and 1MHz for Part 24. The frequency range was checked up to 10th harmonic.
- r. Test site anechoic chamber refer to ANSI C63.

TEST RESULTS**Conducted Measurement :**

1. please refer to Appendix B: Section B.5
2. please refer to Appendix E: Section E.1
3. please refer to Appendix G: Section G.1
4. please refer to Appendix H: Section H.1
5. please refer to Appendix J: Section J.1
6. please refer to Appendix K: Section K.1

Radiated Measurement:

Remark:

1. We were tested all RB Configuration refer 3GPP TS136 521 for each Channel Bandwidth of LTE FDD Band 4; recorded worst case for each Channel Bandwidth of LTE Band 4, Band 12, Band 13, Band 66, Band 71 @ QPSK
2. $EIRP = P_{Mea}(dBm) - P_{cl}(dB) + G_a(dBi)$
3. We were not recorded other points as values lower than limits.
4. Margin = EIRP- Limit

WCDMA Band IV _ Low Channel

Frequency (MHz)	P _{Mea} (dBm)	P _{cl} (dB)	Diatance	G _a Antenna Gain(dB)	Peak EIRP (dBm)	Limit (dBm)	Margin (dB)	Polarization
3424.8	-41.15	4.62	3.00	9.81	-35.96	-13.00	-22.96	H
5137.2	-48.85	5.94	3.00	10.86	-43.93	-13.00	-30.93	H
3424.8	-36.70	4.62	3.00	9.81	-31.51	-13.00	-18.51	V
5137.2	-41.96	5.94	3.00	10.86	-37.04	-13.00	-24.04	V

WCDMA Band IV _ Middle Channel

Frequency (MHz)	P _{Mea} (dBm)	P _{cl} (dB)	Diatance	G _a Antenna Gain(dB)	Peak EIRP (dBm)	Limit (dBm)	Margin (dB)	Polarization
3465.2	-42.75	4.63	3.00	9.84	-37.54	-13.00	-24.54	H
5197.8	-47.23	5.94	3.00	10.86	-42.31	-13.00	-29.31	H
3465.2	-33.75	4.63	3.00	9.84	-28.54	-13.00	-15.54	V
5197.8	-40.41	5.94	3.00	10.86	-35.49	-13.00	-22.49	V

WCDMA Band IV _ High Channel

Frequency (MHz)	P _{Mea} (dBm)	P _{cl} (dB)	Diatance	G _a Antenna Gain(dB)	Peak EIRP (dBm)	Limit (dBm)	Margin (dB)	Polarization
3505.2	-41.87	4.65	3.00	9.90	-36.62	-13.00	-23.62	H
5254.1	-47.52	5.95	3.00	10.91	-42.56	-13.00	-29.56	H
3505.2	-34.54	4.65	3.00	9.90	-29.29	-13.00	-16.29	V
5254.1	-41.64	5.95	3.00	10.91	-36.68	-13.00	-23.68	V

LTE Band 4 _ Channel Bandwidth 1.4MHz_ QPSK_ Low Channel

Frequency (MHz)	P _{Mea} (dBm)	P _{cl} (dB)	Diatance	G _a Antenna Gain(dB)	Peak EIRP (dBm)	Limit (dBm)	Margin (dB)	Polarization
3421.4	-41.15	4.62	3.00	9.81	-35.96	-13.00	-22.96	H
5132.1	-48.85	5.94	3.00	10.86	-43.93	-13.00	-30.93	H
3421.4	-36.70	4.62	3.00	9.81	-31.51	-13.00	-18.51	V
5132.1	-41.96	5.94	3.00	10.86	-37.04	-13.00	-24.04	V

LTE Band 4 _ Channel Bandwidth 1.4MHz_ QPSK_ Middle Channel

Frequency (MHz)	P _{Mea} (dBm)	P _{cl} (dB)	Diatance	G _a Antenna Gain(dB)	Peak EIRP (dBm)	Limit (dBm)	Margin (dB)	Polarization
3465.0	-42.75	4.63	3.00	9.84	-37.54	-13.00	-24.54	H
5197.5	-47.23	5.94	3.00	10.86	-42.31	-13.00	-29.31	H
3465.0	-33.75	4.63	3.00	9.84	-28.54	-13.00	-15.54	V
5197.5	-40.41	5.94	3.00	10.86	-35.49	-13.00	-22.49	V

LTE Band 4_Channel Bandwidth 1.4MHz_QPSK_High Channel

Frequency (MHz)	P _{Mea} (dBm)	P _{cl} (dB)	Diatance	G _a Antenna Gain(dB)	Peak EIRP (dBm)	Limit (dBm)	Margin (dB)	Polarization
3508.6	-41.87	4.65	3.00	9.90	-36.62	-13.00	-23.62	H
5262.9	-47.52	5.95	3.00	10.91	-42.56	-13.00	-29.56	H
3508.6	-34.54	4.65	3.00	9.90	-29.29	-13.00	-16.29	V
5262.9	-41.64	5.95	3.00	10.91	-36.68	-13.00	-23.68	V

LTE Band 4_Channel Bandwidth 3MHz_QPSK_Low Channel

Frequency (MHz)	P _{Mea} (dBm)	P _{cl} (dB)	Diatance	G _a Antenna Gain(dB)	Peak EIRP (dBm)	Limit (dBm)	Margin (dB)	Polarization
3423.0	-43.27	4.62	3.00	9.81	-38.08	-13.00	-25.08	H
5134.5	-47.31	5.94	3.00	10.86	-42.39	-13.00	-29.39	H
3423.0	-36.51	4.62	3.00	9.81	-31.32	-13.00	-18.32	V
5134.5	-39.21	5.94	3.00	10.86	-34.29	-13.00	-21.29	V

LTE Band 4_Channel Bandwidth 3MHz_QPSK_Middle Channel

Frequency (MHz)	P _{Mea} (dBm)	P _{cl} (dB)	Diatance	G _a Antenna Gain(dB)	Peak EIRP (dBm)	Limit (dBm)	Margin (dB)	Polarization
3465.0	-43.21	4.63	3.00	9.84	-38.00	-13.00	-25.00	H
5197.5	-47.56	5.94	3.00	10.86	-42.64	-13.00	-29.64	H
3465.0	-36.32	4.63	3.00	9.84	-31.11	-13.00	-18.11	V
5197.5	-41.03	5.94	3.00	10.86	-36.11	-13.00	-23.11	V

LTE Band 4_Channel Bandwidth 3MHz_QPSK_High Channel

Frequency (MHz)	P _{Mea} (dBm)	P _{cl} (dB)	Diatance	G _a Antenna Gain(dB)	Peak EIRP (dBm)	Limit (dBm)	Margin (dB)	Polarization
3507.0	-43.30	4.65	3.00	9.90	-38.05	-13.00	-25.05	H
5260.5	-45.00	5.95	3.00	10.91	-40.04	-13.00	-27.04	H
3507.0	-35.47	4.65	3.00	9.90	-30.22	-13.00	-17.22	V
5260.5	-39.15	5.95	3.00	10.91	-34.19	-13.00	-21.19	V

LTE Band 4_Channel Bandwidth 5MHz_QPSK_Low Channel

Frequency (MHz)	P _{Mea} (dBm)	P _{cl} (dB)	Diatance	G _a Antenna Gain(dB)	Peak EIRP (dBm)	Limit (dBm)	Margin (dB)	Polarization
3425.0	-42.46	4.62	3.00	9.81	-37.27	-13.00	-24.27	H
5137.5	-45.80	5.94	3.00	10.86	-40.88	-13.00	-27.88	H
3425.0	-35.29	4.62	3.00	9.81	-30.10	-13.00	-17.10	V
5137.5	-40.42	5.94	3.00	10.86	-35.50	-13.00	-22.50	V

LTE Band 4_Channel Bandwidth 5MHz_QPSK_Middle Channel

Frequency (MHz)	P _{Mea} (dBm)	P _{cl} (dB)	Diatance	G _a Antenna Gain(dB)	Peak EIRP (dBm)	Limit (dBm)	Margin (dB)	Polarization
3465.0	-41.71	4.63	3.00	9.84	-36.50	-13.00	-23.50	H
5197.5	-46.74	5.94	3.00	10.86	-41.82	-13.00	-28.82	H
3465.0	-33.64	4.63	3.00	9.84	-28.43	-13.00	-15.43	V
5197.5	-40.55	5.94	3.00	10.86	-35.63	-13.00	-22.63	V

LTE Band 4_Channel Bandwidth 5MHz_QPSK_High Channel

Frequency (MHz)	P _{Mea} (dBm)	P _{cl} (dB)	Diatance	G _a Antenna Gain(dB)	Peak EIRP (dBm)	Limit (dBm)	Margin (dB)	Polarization
3505.0	-40.53	4.65	3.00	9.90	-35.28	-13.00	-22.28	H
5257.5	-48.60	5.95	3.00	10.91	-43.64	-13.00	-30.64	H
3505.0	-33.55	4.65	3.00	9.90	-28.30	-13.00	-15.30	V
5257.5	-38.70	5.95	3.00	10.91	-33.74	-13.00	-20.74	V

LTE Band 4_Channel Bandwidth 10MHz_QPSK_Low Channel

Frequency (MHz)	P _{Mea} (dBm)	P _{cl} (dB)	Diatance	G _a Antenna Gain(dB)	Peak EIRP (dBm)	Limit (dBm)	Margin (dB)	Polarization
3430.0	-41.48	4.62	3.00	9.81	-36.29	-13.00	-23.29	H
5145.0	-47.08	5.94	3.00	10.86	-42.16	-13.00	-29.16	H
3430.0	-35.97	4.62	3.00	9.81	-30.78	-13.00	-17.78	V
5145.0	-38.78	5.94	3.00	10.86	-33.86	-13.00	-20.86	V

LTE Band 4_Channel Bandwidth 10MHz_QPSK_Middle Channel

Frequency (MHz)	P _{Mea} (dBm)	P _{cl} (dB)	Diatance	G _a Antenna Gain(dB)	Peak EIRP (dBm)	Limit (dBm)	Margin (dB)	Polarization
3465.0	-42.01	4.63	3.00	9.84	-36.80	-13.00	-23.80	H
5197.5	-46.96	5.94	3.00	10.86	-42.04	-13.00	-29.04	H
3465.0	-36.77	4.63	3.00	9.84	-31.56	-13.00	-18.56	V
5197.5	-38.39	5.94	3.00	10.86	-33.47	-13.00	-20.47	V

LTE Band 4_Channel Bandwidth 10MHz_QPSK_High Channel

Frequency (MHz)	P _{Mea} (dBm)	P _{cl} (dB)	Diatance	G _a Antenna Gain(dB)	Peak EIRP (dBm)	Limit (dBm)	Margin (dB)	Polarization
3500.0	-42.57	4.65	3.00	9.90	-37.32	-13.00	-24.32	H
5250.0	-46.31	5.95	3.00	10.91	-41.35	-13.00	-28.35	H
3500.0	-35.60	4.65	3.00	9.90	-30.35	-13.00	-17.35	V
5250.0	-41.64	5.95	3.00	10.91	-36.68	-13.00	-23.68	V

LTE Band 4_Channel Bandwidth 15MHz_QPSK_Low Channel

Frequency (MHz)	P _{Mea} (dBm)	P _{cl} (dB)	Diatance	G _a Antenna Gain(dB)	Peak EIRP (dBm)	Limit (dBm)	Margin (dB)	Polarization
3435.0	-40.06	4.62	3.00	9.81	-34.87	-13.00	-21.87	H
5152.5	-47.45	5.94	3.00	10.86	-42.53	-13.00	-29.53	H
3435.0	-34.98	4.62	3.00	9.81	-29.79	-13.00	-16.79	V
5152.5	-41.50	5.94	3.00	10.86	-36.58	-13.00	-23.58	V

LTE Band 4_Channel Bandwidth 15MHz_QPSK_Middle Channel

Frequency (MHz)	P _{Mea} (dBm)	P _{cl} (dB)	Diatance	G _a Antenna Gain(dB)	Peak EIRP (dBm)	Limit (dBm)	Margin (dB)	Polarization
3465.0	-43.80	4.63	3.00	9.84	-38.59	-13.00	-25.59	H
5197.5	-48.58	5.94	3.00	10.86	-43.66	-13.00	-30.66	H
3465.0	-36.91	4.63	3.00	9.84	-31.70	-13.00	-18.70	V
5197.5	-39.86	5.94	3.00	10.86	-34.94	-13.00	-21.94	V

LTE Band 4_Channel Bandwidth 15MHz_QPSK_High Channel

Frequency (MHz)	P _{Mea} (dBm)	P _{cl} (dB)	Diatance	G _a Antenna Gain(dB)	Peak EIRP (dBm)	Limit (dBm)	Margin (dB)	Polarization
3495.0	-42.80	4.65	3.00	9.90	-37.55	-13.00	-24.55	H
5242.5	-46.51	5.95	3.00	10.91	-41.55	-13.00	-28.55	H
3495.0	-33.18	4.65	3.00	9.90	-27.93	-13.00	-14.93	V
5242.5	-40.56	5.95	3.00	10.91	-35.60	-13.00	-22.60	V

LTE Band 4_Channel Bandwidth 20MHz_QPSK_Low Channel

Frequency (MHz)	P _{Mea} (dBm)	P _{cl} (dB)	Diatance	G _a Antenna Gain(dB)	Peak EIRP (dBm)	Limit (dBm)	Margin (dB)	Polarization
3440.0	-42.86	4.62	3.00	9.81	-37.67	-13.00	-24.67	H
5160.0	-47.76	5.94	3.00	10.86	-42.84	-13.00	-29.84	H
3440.0	-33.43	4.62	3.00	9.81	-28.24	-13.00	-15.24	V
5160.0	-41.48	5.94	3.00	10.86	-36.56	-13.00	-23.56	V

LTE Band 4_Channel Bandwidth 20MHz_QPSK_Middle Channel

Frequency (MHz)	P _{Mea} (dBm)	P _{cl} (dB)	Diatance	G _a Antenna Gain(dB)	Peak EIRP (dBm)	Limit (dBm)	Margin (dB)	Polarization
3465.0	-43.83	4.63	3.00	9.84	-38.62	-13.00	-25.62	H
5197.5	-46.76	5.94	3.00	10.86	-41.84	-13.00	-28.84	H
3465.0	-33.96	4.63	3.00	9.84	-28.75	-13.00	-15.75	V
5197.5	-38.12	5.94	3.00	10.86	-33.20	-13.00	-20.20	V

LTE Band 4_Channel Bandwidth 20MHz_QPSK_High Channel

Frequency (MHz)	P _{Mea} (dBm)	P _{cl} (dB)	Diatance	G _a Antenna Gain(dB)	Peak EIRP (dBm)	Limit (dBm)	Margin (dB)	Polarization
3490.0	-41.72	4.65	3.00	9.90	-36.47	-13.00	-23.47	H
5235.0	-48.99	5.95	3.00	10.91	-44.03	-13.00	-31.03	H
3490.0	-36.85	4.65	3.00	9.90	-31.60	-13.00	-18.60	V
5235.0	-38.66	5.95	3.00	10.91	-33.70	-13.00	-20.70	V

LTE Band 4_Channel Bandwidth 1.4MHz_16QAM_Low Channel

Frequency (MHz)	P _{Mea} (dBm)	P _{cl} (dB)	Diatance	G _a Antenna Gain(dB)	Peak EIRP (dBm)	Limit (dBm)	Margin (dB)	Polarization
3421.4	-45.78	4.62	3.00	9.81	-40.59	-13.00	-27.59	H
5132.1	-49.87	5.94	3.00	10.86	-44.95	-13.00	-31.95	H
3421.4	-39.28	4.62	3.00	9.81	-34.09	-13.00	-21.09	V
5132.1	-44.96	5.94	3.00	10.86	-40.04	-13.00	-27.04	V

LTE FDD Band 4_Channel Bandwidth 1.4MHz_16QAM_Middle Channel

Frequency (MHz)	P _{Mea} (dBm)	P _{cl} (dB)	Diatance	G _a Antenna Gain(dB)	Peak EIRP (dBm)	Limit (dBm)	Margin (dB)	Polarization
3465.0	-44.62	4.63	3.00	9.84	-39.41	-13.00	-26.41	H
5197.5	-49.71	5.94	3.00	10.86	-44.79	-13.00	-31.79	H
3465.0	-36.31	4.63	3.00	9.84	-31.10	-13.00	-18.10	V
5197.5	-42.42	5.94	3.00	10.86	-37.50	-13.00	-24.50	V

LTE Band 4_Channel Bandwidth 1.4MHz_16QAM_High Channel

Frequency (MHz)	P _{Mea} (dBm)	P _{cl} (dB)	Diatance	G _a Antenna	Peak EIRP	Limit (dBm)	Margin (dB)	Polarization
-----------------	------------------------	----------------------	----------	------------------------	-----------	-------------	-------------	--------------

				Gain(dB)	(dBm)			
3508.6	-44.98	4.65	3.00	9.90	-39.73	-13.00	-26.73	H
5262.9	-50.21	5.95	3.00	10.91	-45.25	-13.00	-32.25	H
3508.6	-39.24	4.65	3.00	9.90	-33.99	-13.00	-20.99	V
5262.9	-41.99	5.95	3.00	10.91	-37.03	-13.00	-24.03	V

LTE Band 4_Channel Bandwidth 3MHz_16QAM_Low Channel

Frequency (MHz)	P _{Mea} (dBm)	P _{cl} (dB)	Diatance	G _a Antenna Gain(dB)	Peak EIRP (dBm)	Limit (dBm)	Margin (dB)	Polarization
3423.0	-43.17	4.62	3.00	9.81	-37.98	-13.00	-24.98	H
5134.5	-48.89	5.94	3.00	10.86	-43.97	-13.00	-30.97	H
3423.0	-39.22	4.62	3.00	9.81	-34.03	-13.00	-21.03	V
5134.5	-41.13	5.94	3.00	10.86	-36.21	-13.00	-23.21	V

LTE Band 4_Channel Bandwidth 3MHz_16QAM_Middle Channel

Frequency (MHz)	P _{Mea} (dBm)	P _{cl} (dB)	Diatance	G _a Antenna Gain(dB)	Peak EIRP (dBm)	Limit (dBm)	Margin (dB)	Polarization
3465.0	-44.28	4.63	3.00	9.84	-39.07	-13.00	-26.07	H
5197.5	-50.72	5.94	3.00	10.86	-45.80	-13.00	-32.80	H
3465.0	-39.95	4.63	3.00	9.84	-34.74	-13.00	-21.74	V
5197.5	-41.70	5.94	3.00	10.86	-36.78	-13.00	-23.78	V

LTE Band 4_Channel Bandwidth 3MHz_16QAM_High Channel

Frequency (MHz)	P _{Mea} (dBm)	P _{cl} (dB)	Diatance	G _a Antenna Gain(dB)	Peak EIRP (dBm)	Limit (dBm)	Margin (dB)	Polarization
3507.0	-45.98	4.65	3.00	9.90	-40.73	-13.00	-27.73	H
5260.5	-48.28	5.95	3.00	10.91	-43.32	-13.00	-30.32	H
3507.0	-36.56	4.65	3.00	9.90	-31.31	-13.00	-18.31	V
5260.5	-41.03	5.95	3.00	10.91	-36.07	-13.00	-23.07	V

LTE Band 4_Channel Bandwidth 5MHz_16QAM_Low Channel

Frequency (MHz)	P _{Mea} (dBm)	P _{cl} (dB)	Diatance	G _a Antenna Gain(dB)	Peak EIRP (dBm)	Limit (dBm)	Margin (dB)	Polarization
3425.0	-46.71	4.62	3.00	9.81	-41.52	-13.00	-28.52	H
5137.5	-49.45	5.94	3.00	10.86	-44.53	-13.00	-31.53	H
3425.0	-36.66	4.62	3.00	9.81	-31.47	-13.00	-18.47	V
5137.5	-43.59	5.94	3.00	10.86	-38.67	-13.00	-25.67	V

LTE Band 4_Channel Bandwidth 5MHz_16QAM_Middle Channel

Frequency (MHz)	P _{Mea} (dBm)	P _{cl} (dB)	Diatance	G _a Antenna Gain(dB)	Peak EIRP (dBm)	Limit (dBm)	Margin (dB)	Polarization
3465.0	-43.16	4.63	3.00	9.84	-37.95	-13.00	-24.95	H
5197.5	-50.79	5.94	3.00	10.86	-45.87	-13.00	-32.87	H
3465.0	-38.08	4.63	3.00	9.84	-32.87	-13.00	-19.87	V
5197.5	-41.61	5.94	3.00	10.86	-36.69	-13.00	-23.69	V

LTE Band 4_Channel Bandwidth 5MHz_16QAM_High Channel

Frequency (MHz)	P _{Mea} (dBm)	P _{cl} (dB)	Diatance	G _a Antenna Gain(dB)	Peak EIRP (dBm)	Limit (dBm)	Margin (dB)	Polarization
3505.0	-45.32	4.65	3.00	9.90	-40.07	-13.00	-27.07	H
5257.5	-48.52	5.95	3.00	10.91	-43.56	-13.00	-30.56	H
3505.0	-39.25	4.65	3.00	9.90	-34.00	-13.00	-21.00	V

5257.5	-43.77	5.95	3.00	10.91	-38.81	-13.00	-25.81	V
--------	--------	------	------	-------	--------	--------	--------	---

LTE Band 4_Channel Bandwidth 10MHz_16QAM_Low Channel

Frequency (MHz)	P _{Mea} (dBm)	P _{cl} (dB)	Diatance	G _a Antenna Gain(dB)	Peak EIRP (dBm)	Limit (dBm)	Margin (dB)	Polarization
3430.0	-43.37	4.62	3.00	9.81	-38.18	-13.00	-25.18	H
5145.0	-50.67	5.94	3.00	10.86	-45.75	-13.00	-32.75	H
3430.0	-38.80	4.62	3.00	9.81	-33.61	-13.00	-20.61	V
5145.0	-42.95	5.94	3.00	10.86	-38.03	-13.00	-25.03	V

LTE Band 4_Channel Bandwidth 10MHz_16QAM_Middle Channel

Frequency (MHz)	P _{Mea} (dBm)	P _{cl} (dB)	Diatance	G _a Antenna Gain(dB)	Peak EIRP (dBm)	Limit (dBm)	Margin (dB)	Polarization
3465.0	-45.17	4.63	3.00	9.84	-39.96	-13.00	-26.96	H
5197.5	-51.34	5.94	3.00	10.86	-46.42	-13.00	-33.42	H
3465.0	-38.65	4.63	3.00	9.84	-33.44	-13.00	-20.44	V
5197.5	-42.80	5.94	3.00	10.86	-37.88	-13.00	-24.88	V

LTE Band 4_Channel Bandwidth 10MHz_16QAM_High Channel

Frequency (MHz)	P _{Mea} (dBm)	P _{cl} (dB)	Diatance	G _a Antenna Gain(dB)	Peak EIRP (dBm)	Limit (dBm)	Margin (dB)	Polarization
3500.0	-45.38	4.65	3.00	9.90	-40.13	-13.00	-27.13	H
5250.0	-50.57	5.95	3.00	10.91	-45.61	-13.00	-32.61	H
3500.0	-37.82	4.65	3.00	9.90	-32.57	-13.00	-19.57	V
5250.0	-44.97	5.95	3.00	10.91	-40.01	-13.00	-27.01	V

LTE Band 4_Channel Bandwidth 15MHz_16QAM_Low Channel

Frequency (MHz)	P _{Mea} (dBm)	P _{cl} (dB)	Diatance	G _a Antenna Gain(dB)	Peak EIRP (dBm)	Limit (dBm)	Margin (dB)	Polarization
3435.0	-43.60	4.62	3.00	9.81	-38.41	-13.00	-25.41	H
5152.5	-51.29	5.94	3.00	10.86	-46.37	-13.00	-33.37	H
3435.0	-39.23	4.62	3.00	9.81	-34.04	-13.00	-21.04	V
5152.5	-44.74	5.94	3.00	10.86	-39.82	-13.00	-26.82	V

LTE Band 4_Channel Bandwidth 15MHz_16QAM_Middle Channel

Frequency (MHz)	P _{Mea} (dBm)	P _{cl} (dB)	Diatance	G _a Antenna Gain(dB)	Peak EIRP (dBm)	Limit (dBm)	Margin (dB)	Polarization
3465.0	-46.30	4.63	3.00	9.84	-41.09	-13.00	-28.09	H
5197.5	-50.34	5.94	3.00	10.86	-45.42	-13.00	-32.42	H
3465.0	-37.74	4.63	3.00	9.84	-32.53	-13.00	-19.53	V
5197.5	-41.32	5.94	3.00	10.86	-36.40	-13.00	-23.40	V

LTE Band 4_Channel Bandwidth 15MHz_16QAM_High Channel

Frequency (MHz)	P _{Mea} (dBm)	P _{cl} (dB)	Diatance	G _a Antenna Gain(dB)	Peak EIRP (dBm)	Limit (dBm)	Margin (dB)	Polarization
3495.0	-45.27	4.65	3.00	9.90	-40.02	-13.00	-27.02	H
5242.5	-51.85	5.95	3.00	10.91	-46.89	-13.00	-33.89	H
3495.0	-38.86	4.65	3.00	9.90	-33.61	-13.00	-20.61	V
5242.5	-41.53	5.95	3.00	10.91	-36.57	-13.00	-23.57	V

LTE Band 4_Channel Bandwidth 20MHz_16QAM_Low Channel

Frequency	P _{Mea}	P _{cl}	Diatance	G _a	Peak	Limit	Margin	Polarization
-----------	------------------	-----------------	----------	----------------	------	-------	--------	--------------

(MHz)	(dBm)	(dB)		Antenna Gain(dB)	EIRP (dBm)	(dBm)	(dB)	
3440.0	-44.07	4.62	3.00	9.81	-38.88	-13.00	-25.88	H
5160.0	-49.29	5.94	3.00	10.86	-44.37	-13.00	-31.37	H
3440.0	-39.62	4.62	3.00	9.81	-34.43	-13.00	-21.43	V
5160.0	-41.24	5.94	3.00	10.86	-36.32	-13.00	-23.32	V

LTE Band 4_Channel Bandwidth 20MHz_16QAM_Middle Channel

Frequency (MHz)	P _{Mea} (dBm)	P _{cl} (dB)	Diatance	G _a Antenna Gain(dB)	Peak EIRP (dBm)	Limit (dBm)	Margin (dB)	Polarization
3465.0	-44.16	4.63	3.00	9.84	-38.95	-13.00	-25.95	H
5197.5	-49.29	5.94	3.00	10.86	-44.37	-13.00	-31.37	H
3465.0	-37.17	4.63	3.00	9.84	-31.96	-13.00	-18.96	V
5197.5	-41.21	5.94	3.00	10.86	-36.29	-13.00	-23.29	V

LTE Band 4_Channel Bandwidth 20MHz_16QAM_High Channel

Frequency (MHz)	P _{Mea} (dBm)	P _{cl} (dB)	Diatance	G _a Antenna Gain(dB)	Peak EIRP (dBm)	Limit (dBm)	Margin (dB)	Polarization
3490.0	-44.06	4.65	3.00	9.90	-38.81	-13.00	-25.81	H
5235.0	-48.20	5.95	3.00	10.91	-43.24	-13.00	-30.24	H
3490.0	-37.86	4.65	3.00	9.90	-32.61	-13.00	-19.61	V
5235.0	-41.68	5.95	3.00	10.91	-36.72	-13.00	-23.72	V

LTE Band 12_Channel Bandwidth 1.4MHz_QPSK_Low Channel

Frequency (MHz)	P _{Mea} (dBm)	P _{cl} (dB)	Diatance	G _a Antenna Gain(dB)	Peak EIRP (dBm)	Limit (dBm)	Margin (dB)	Polarization
1399.40	-41.06	3.71	3.00	9.02	-35.75	-13.00	-22.75	H
2099.10	-45.54	4.22	3.00	8.64	-41.12	-13.00	-28.12	H
1399.40	-34.10	3.71	3.00	9.02	-28.79	-13.00	-15.79	V
2099.10	-38.15	4.22	3.00	8.64	-33.73	-13.00	-20.73	V

LTE Band 12_Channel Bandwidth 1.4MHz_QPSK_Middle Channel

Frequency (MHz)	P _{Mea} (dBm)	P _{cl} (dB)	Diatance	G _a Antenna Gain(dB)	Peak EIRP (dBm)	Limit (dBm)	Margin (dB)	Polarization
1415.00	-39.38	3.72	3.00	9.04	-34.06	-13.00	-21.06	H
2122.50	-46.49	4.23	3.00	8.60	-42.12	-13.00	-29.12	H
1415.00	-36.64	3.72	3.00	9.04	-31.32	-13.00	-18.32	V
2122.50	-39.60	4.23	3.00	8.60	-35.23	-13.00	-22.23	V

LTE Band 12_Channel Bandwidth 1.4MHz_QPSK_High Channel

Frequency (MHz)	P _{Mea} (dBm)	P _{cl} (dB)	Diatance	G _a Antenna Gain(dB)	Peak EIRP (dBm)	Limit (dBm)	Margin (dB)	Polarization
1430.60	-40.52	4.78	3.00	8.91	-36.39	-13.00	-23.39	H
2145.90	-45.50	4.25	3.00	8.26	-41.49	-13.00	-28.49	H
1430.60	-35.16	4.78	3.00	8.91	-31.03	-13.00	-18.03	V
2145.90	-39.31	4.25	3.00	8.26	-35.30	-13.00	-22.30	V

LTE Band 12_Channel Bandwidth 3MHz_QPSK_Low Channel

Frequency (MHz)	P _{Mea} (dBm)	P _{cl} (dB)	Diatance	G _a Antenna Gain(dB)	Peak EIRP (dBm)	Limit (dBm)	Margin (dB)	Polarization
1401.00	-41.83	3.71	3.00	9.02	-36.52	-13.00	-23.52	H
2101.50	-44.60	4.22	3.00	8.64	-40.18	-13.00	-27.18	H

1401.00	-35.60	3.71	3.00	9.02	-30.29	-13.00	-17.29	V
2101.50	-37.29	4.22	3.00	8.64	-32.87	-13.00	-19.87	V

LTE Band 12_Channel Bandwidth 3MHz_QPSK_Middle Channel

Frequency (MHz)	P _{Mea} (dBm)	P _{cl} (dB)	Diatance	G _a Antenna Gain(dB)	Peak EIRP (dBm)	Limit (dBm)	Margin (dB)	Polarization
1415.00	-38.15	3.72	3.00	9.04	-32.83	-13.00	-19.83	H
2122.50	-47.20	4.23	3.00	8.60	-42.83	-13.00	-29.83	H
1415.00	-34.37	3.72	3.00	9.04	-29.05	-13.00	-16.05	V
2122.50	-36.86	4.23	3.00	8.60	-32.49	-13.00	-19.49	V

LTE Band 12_Channel Bandwidth 3MHz_QPSK_High Channel

Frequency (MHz)	P _{Mea} (dBm)	P _{cl} (dB)	Diatance	G _a Antenna Gain(dB)	Peak EIRP (dBm)	Limit (dBm)	Margin (dB)	Polarization
1429.00	-38.70	4.78	3.00	8.91	-34.57	-13.00	-21.57	H
2143.50	-47.53	4.25	3.00	8.26	-43.52	-13.00	-30.52	H
1429.00	-36.73	4.78	3.00	8.91	-32.60	-13.00	-19.60	V
2143.50	-39.92	4.25	3.00	8.26	-35.91	-13.00	-22.91	V

LTE Band 12_Channel Bandwidth 5MHz_QPSK_Low Channel

Frequency (MHz)	P _{Mea} (dBm)	P _{cl} (dB)	Diatance	G _a Antenna Gain(dB)	Peak EIRP (dBm)	Limit (dBm)	Margin (dB)	Polarization
1403.00	-41.23	3.71	3.00	9.02	-35.92	-13.00	-22.92	H
2104.50	-47.56	4.22	3.00	8.64	-43.14	-13.00	-30.14	H
1403.00	-34.55	3.71	3.00	9.02	-29.24	-13.00	-16.24	V
2104.50	-36.82	4.22	3.00	8.64	-32.40	-13.00	-19.40	V

LTE Band 12_Channel Bandwidth 5MHz_QPSK_Middle Channel

Frequency (MHz)	P _{Mea} (dBm)	P _{cl} (dB)	Diatance	G _a Antenna Gain(dB)	Peak EIRP (dBm)	Limit (dBm)	Margin (dB)	Polarization
1415.00	-40.60	3.72	3.00	9.04	-35.28	-13.00	-22.28	H
2122.50	-46.08	4.23	3.00	8.60	-41.71	-13.00	-28.71	H
1415.00	-34.33	3.72	3.00	9.04	-29.01	-13.00	-16.01	V
2122.50	-37.39	4.23	3.00	8.60	-33.02	-13.00	-20.02	V

LTE Band 12_Channel Bandwidth 5MHz_QPSK_High Channel

Frequency (MHz)	P _{Mea} (dBm)	P _{cl} (dB)	Diatance	G _a Antenna Gain(dB)	Peak EIRP (dBm)	Limit (dBm)	Margin (dB)	Polarization
1427.00	-39.72	4.78	3.00	8.91	-35.59	-13.00	-22.59	H
2140.50	-45.68	4.25	3.00	8.26	-41.67	-13.00	-28.67	H
1427.00	-34.61	4.78	3.00	8.91	-30.48	-13.00	-17.48	V
2140.50	-37.12	4.25	3.00	8.26	-33.11	-13.00	-20.11	V

LTE and 12_Channel Bandwidth 10MHz_QPSK_Low Channel

Frequency (MHz)	P _{Mea} (dBm)	P _{cl} (dB)	Diatance	G _a Antenna Gain(dB)	Peak EIRP (dBm)	Limit (dBm)	Margin (dB)	Polarization
1408.00	-38.44	3.71	3.00	9.02	-33.13	-13.00	-20.13	H
2112.00	-46.11	4.22	3.00	8.64	-41.69	-13.00	-28.69	H
1408.00	-35.08	3.71	3.00	9.02	-29.77	-13.00	-16.77	V
2112.00	-39.68	4.22	3.00	8.64	-35.26	-13.00	-22.26	V

LTE Band 12_Channel Bandwidth 10MHz_QPSK_Middle Channel

Frequency (MHz)	P _{Mea} (dBm)	P _{cl} (dB)	Diatance	G _a Antenna Gain(dB)	Peak EIRP (dBm)	Limit (dBm)	Margin (dB)	Polarization
1415.00	-38.09	3.72	3.00	9.04	-32.77	-13.00	-19.77	H
2122.50	-44.66	4.23	3.00	8.60	-40.29	-13.00	-27.29	H
1415.00	-36.47	3.72	3.00	9.04	-31.15	-13.00	-18.15	V
2122.50	-36.41	4.23	3.00	8.60	-32.04	-13.00	-19.04	V

LTE Band 12_Channel Bandwidth 10MHz_QPSK_High Channel

Frequency (MHz)	P _{Mea} (dBm)	P _{cl} (dB)	Diatance	G _a Antenna Gain(dB)	Peak EIRP (dBm)	Limit (dBm)	Margin (dB)	Polarization
1422.00	-40.41	4.78	3.00	8.91	-36.28	-13.00	-23.28	H
2133.00	-46.89	4.25	3.00	8.26	-42.88	-13.00	-29.88	H
1422.00	-35.04	4.78	3.00	8.91	-30.91	-13.00	-17.91	V
2133.00	-38.01	4.25	3.00	8.26	-34.00	-13.00	-21.00	V

LTE Band 12_Channel Bandwidth 1.4MHz_16QAM_Low Channel

Frequency (MHz)	P _{Mea} (dBm)	P _{cl} (dB)	Diatance	G _a Antenna Gain(dB)	Peak EIRP (dBm)	Limit (dBm)	Margin (dB)	Polarization
1399.40	-38.56	3.71	3.00	9.02	-33.25	-13.00	-20.25	H
2099.10	-47.19	4.22	3.00	8.64	-42.77	-13.00	-29.77	H
1399.40	-35.09	3.71	3.00	9.02	-29.78	-13.00	-16.78	V
2099.10	-36.57	4.22	3.00	8.64	-32.15	-13.00	-19.15	V

LTE Band 12_Channel Bandwidth 1.4MHz_16QAM_Middle Channel

Frequency (MHz)	P _{Mea} (dBm)	P _{cl} (dB)	Diatance	G _a Antenna Gain(dB)	Peak EIRP (dBm)	Limit (dBm)	Margin (dB)	Polarization
1415.00	-41.93	3.72	3.00	9.04	-36.61	-13.00	-23.61	H
2122.50	-45.86	4.23	3.00	8.60	-41.49	-13.00	-28.49	H
1415.00	-35.38	3.72	3.00	9.04	-30.06	-13.00	-17.06	V
2122.50	-37.63	4.23	3.00	8.60	-33.26	-13.00	-20.26	V

LTE Band 12_Channel Bandwidth 1.4MHz_16QAM_High Channel

Frequency (MHz)	P _{Mea} (dBm)	P _{cl} (dB)	Diatance	G _a Antenna Gain(dB)	Peak EIRP (dBm)	Limit (dBm)	Margin (dB)	Polarization
1430.60	-38.32	4.78	3.00	8.91	-34.19	-13.00	-21.19	H
2145.90	-46.16	4.25	3.00	8.26	-42.15	-13.00	-29.15	H
1430.60	-33.64	4.78	3.00	8.91	-29.51	-13.00	-16.51	V
2145.90	-38.99	4.25	3.00	8.26	-34.98	-13.00	-21.98	V

LTE Band 12_Channel Bandwidth 3MHz_16QAM_Low Channel

Frequency (MHz)	P _{Mea} (dBm)	P _{cl} (dB)	Diatance	G _a Antenna Gain(dB)	Peak EIRP (dBm)	Limit (dBm)	Margin (dB)	Polarization
1401.00	-41.38	3.71	3.00	9.02	-36.07	-13.00	-23.07	H
2101.50	-44.14	4.22	3.00	8.64	-39.72	-13.00	-26.72	H
1401.00	-35.60	3.71	3.00	9.02	-30.29	-13.00	-17.29	V
2101.50	-36.72	4.22	3.00	8.64	-32.30	-13.00	-19.30	V

LTE Band 12_Channel Bandwidth 3MHz_16QAM_Middle Channel

Frequency (MHz)	P _{Mea} (dBm)	P _{cl} (dB)	Diatance	G _a Antenna	Peak EIRP	Limit (dBm)	Margin (dB)	Polarization
-----------------	------------------------	----------------------	----------	------------------------	-----------	-------------	-------------	--------------

				Gain(dB)	(dBm)			
1415.00	-39.13	3.72	3.00	9.04	-33.81	-13.00	-20.81	H
2122.50	-45.30	4.23	3.00	8.60	-40.93	-13.00	-27.93	H
1415.00	-35.26	3.72	3.00	9.04	-29.94	-13.00	-16.94	V
2122.50	-37.09	4.23	3.00	8.60	-32.72	-13.00	-19.72	V

LTE Band 12_Channel Bandwidth 3MHz_16QAM_High Channel

Frequency (MHz)	P _{Mea} (dBm)	P _{cl} (dB)	Diatance	G _a Antenna Gain(dB)	Peak EIRP (dBm)	Limit (dBm)	Margin (dB)	Polarization
1429.00	-39.75	4.78	3.00	8.91	-35.62	-13.00	-22.62	H
2143.50	-46.96	4.25	3.00	8.26	-42.95	-13.00	-29.95	H
1429.00	-34.68	4.78	3.00	8.91	-30.55	-13.00	-17.55	V
2143.50	-37.22	4.25	3.00	8.26	-33.21	-13.00	-20.21	V

LTE Band 12_Channel Bandwidth 5MHz_16QAM_Low Channel

Frequency (MHz)	P _{Mea} (dBm)	P _{cl} (dB)	Diatance	G _a Antenna Gain(dB)	Peak EIRP (dBm)	Limit (dBm)	Margin (dB)	Polarization
1403.00	-41.35	3.71	3.00	9.02	-36.04	-13.00	-23.04	H
2104.50	-44.95	4.22	3.00	8.64	-40.53	-13.00	-27.53	H
1403.00	-33.39	3.71	3.00	9.02	-28.08	-13.00	-15.08	V
2104.50	-38.78	4.22	3.00	8.64	-34.36	-13.00	-21.36	V

LTE Band 12_Channel Bandwidth 5MHz_16QAM_Middle Channel

Frequency (MHz)	P _{Mea} (dBm)	P _{cl} (dB)	Diatance	G _a Antenna Gain(dB)	Peak EIRP (dBm)	Limit (dBm)	Margin (dB)	Polarization
1415.00	-39.09	3.72	3.00	9.04	-33.77	-13.00	-20.77	H
2122.50	-45.20	4.23	3.00	8.60	-40.83	-13.00	-27.83	H
1415.00	-34.84	3.72	3.00	9.04	-29.52	-13.00	-16.52	V
2122.50	-36.64	4.23	3.00	8.60	-32.27	-13.00	-19.27	V

LTE Band 12_Channel Bandwidth 5MHz_16QAM_High Channel

Frequency (MHz)	P _{Mea} (dBm)	P _{cl} (dB)	Diatance	G _a Antenna Gain(dB)	Peak EIRP (dBm)	Limit (dBm)	Margin (dB)	Polarization
1427.00	-39.70	4.78	3.00	8.91	-35.57	-13.00	-22.57	H
2140.50	-44.61	4.25	3.00	8.26	-40.60	-13.00	-27.60	H
1427.00	-36.40	4.78	3.00	8.91	-32.27	-13.00	-19.27	V
2140.50	-37.06	4.25	3.00	8.26	-33.05	-13.00	-20.05	V

LTE Band 12_Channel Bandwidth 10MHz_16QAM_Low Channel

Frequency (MHz)	P _{Mea} (dBm)	P _{cl} (dB)	Diatance	G _a Antenna Gain(dB)	Peak EIRP (dBm)	Limit (dBm)	Margin (dB)	Polarization
1408.00	-38.26	3.71	3.00	9.02	-32.95	-13.00	-19.95	H
2112.00	-47.28	4.22	3.00	8.64	-42.86	-13.00	-29.86	H
1408.00	-36.33	3.71	3.00	9.02	-31.02	-13.00	-18.02	V
2112.00	-37.52	4.22	3.00	8.64	-33.10	-13.00	-20.10	V

LTE Band 12_Channel Bandwidth 10MHz_16QAM_Middle Channel

Frequency (MHz)	P _{Mea} (dBm)	P _{cl} (dB)	Diatance	G _a Antenna Gain(dB)	Peak EIRP (dBm)	Limit (dBm)	Margin (dB)	Polarization
1415.00	-38.50	3.72	3.00	9.04	-33.18	-13.00	-20.18	H
2122.50	-44.94	4.23	3.00	8.60	-40.57	-13.00	-27.57	H
1415.00	-34.79	3.72	3.00	9.04	-29.47	-13.00	-16.47	V

2122.50	-38.75	4.23	3.00	8.60	-34.38	-13.00	-21.38	V
---------	--------	------	------	------	--------	--------	--------	---

LTE Band 12_Channel Bandwidth 10MHz_16QAM_High Channel

Frequency (MHz)	P _{Mea} (dBm)	P _{cl} (dB)	Diatance	G _a Antenna Gain(dB)	Peak EIRP (dBm)	Limit (dBm)	Margin (dB)	Polarization
1422.00	-40.44	4.78	3.00	8.91	-36.31	-13.00	-23.31	H
2133.00	-47.70	4.25	3.00	8.26	-43.69	-13.00	-30.69	H
1422.00	-34.87	4.78	3.00	8.91	-30.74	-13.00	-17.74	V
2133.00	-37.04	4.25	3.00	8.26	-33.03	-13.00	-20.03	V

LTE Band 13Channel Bandwidth 5MHz_QPSK_Low Channel

Frequency (MHz)	P _{Mea} (dBm)	P _{cl} (dB)	Diatance	G _a Antenna Gain(dB)	Peak EIRP (dBm)	Limit (dBm)	Margin (dB)	Polarization
1555.80	-41.23	3.71	3.00	9.02	-35.92	-13.00	-22.92	H
2338.50	-47.56	4.22	3.00	8.64	-43.14	-13.00	-30.14	H
1555.80	-34.55	3.71	3.00	9.02	-29.24	-13.00	-16.24	V
2338.50	-36.82	4.22	3.00	8.64	-32.40	-13.00	-19.40	V

LTE Band 13Channel Bandwidth 5MHz_QPSK_Middle Channel

Frequency (MHz)	P _{Mea} (dBm)	P _{cl} (dB)	Diatance	G _a Antenna Gain(dB)	Peak EIRP (dBm)	Limit (dBm)	Margin (dB)	Polarization
1564.00	-40.60	3.72	3.00	9.04	-35.28	-13.00	-22.28	H
2346.50	-46.08	4.23	3.00	8.60	-41.71	-13.00	-28.71	H
1564.00	-34.33	3.72	3.00	9.04	-29.01	-13.00	-16.01	V
2346.50	-37.39	4.23	3.00	8.60	-33.02	-13.00	-20.02	V

LTE Band 13Channel Bandwidth 5MHz_QPSK_High Channel

Frequency (MHz)	P _{Mea} (dBm)	P _{cl} (dB)	Diatance	G _a Antenna Gain(dB)	Peak EIRP (dBm)	Limit (dBm)	Margin (dB)	Polarization
1569.00	-39.72	4.78	3.00	8.91	-35.59	-13.00	-22.59	H
2353.50	-45.68	4.25	3.00	8.26	-41.67	-13.00	-28.67	H
1569.00	-34.61	4.78	3.00	8.91	-30.48	-13.00	-17.48	V
2353.50	-37.12	4.25	3.00	8.26	-33.11	-13.00	-20.11	V

LTE Band 13Channel Bandwidth 10MHz_QPSK_Low Channel

Frequency (MHz)	P _{Mea} (dBm)	P _{cl} (dB)	Diatance	G _a Antenna Gain(dB)	Peak EIRP (dBm)	Limit (dBm)	Margin (dB)	Polarization
1556.50	-38.44	3.71	3.00	9.02	-33.13	-13.00	-20.13	H
2346.00	-46.11	4.22	3.00	8.64	-41.69	-13.00	-28.69	H
1556.50	-35.08	3.71	3.00	9.02	-29.77	-13.00	-16.77	V
2346.00	-39.68	4.22	3.00	8.64	-35.26	-13.00	-22.26	V

LTE Band 13Channel Bandwidth 10MHz_QPSK_Middle Channel

Frequency (MHz)	P _{Mea} (dBm)	P _{cl} (dB)	Diatance	G _a Antenna Gain(dB)	Peak EIRP (dBm)	Limit (dBm)	Margin (dB)	Polarization
1555.30	-38.09	3.72	3.00	9.04	-32.77	-13.00	-19.77	H
2346.00	-44.66	4.23	3.00	8.60	-40.29	-13.00	-27.29	H
1555.30	-36.47	3.72	3.00	9.04	-31.15	-13.00	-18.15	V
2346.00	-36.41	4.23	3.00	8.60	-32.04	-13.00	-19.04	V

LTE Band 13Channel Bandwidth 10MHz_QPSK_High Channel

Frequency (MHz)	P _{Mea} (dBm)	P _{cl} (dB)	Diatance	G _a Antenna Gain(dB)	Peak EIRP (dBm)	Limit (dBm)	Margin (dB)	Polarization
1564.00	-40.41	4.78	3.00	8.91	-36.28	-13.00	-23.28	H
2346.00	-46.89	4.25	3.00	8.26	-42.88	-13.00	-29.88	H
1564.00	-35.04	4.78	3.00	8.91	-30.91	-13.00	-17.91	V
2346.00	-38.01	4.25	3.00	8.26	-34.00	-13.00	-21.00	V

LTE Band 13Channel Bandwidth 5MHz_16QAM_Low Channel

Frequency (MHz)	P _{Mea} (dBm)	P _{cl} (dB)	Diatance	G _a Antenna Gain(dB)	Peak EIRP (dBm)	Limit (dBm)	Margin (dB)	Polarization
1555.80	-41.35	3.71	3.00	9.02	-36.04	-13.00	-23.04	H
2338.50	-44.95	4.22	3.00	8.64	-40.53	-13.00	-27.53	H
1555.80	-33.39	3.71	3.00	9.02	-28.08	-13.00	-15.08	V
2338.50	-38.78	4.22	3.00	8.64	-34.36	-13.00	-21.36	V

LTE Band 13Channel Bandwidth 5MHz_16QAM_Middle Channel

Frequency (MHz)	P _{Mea} (dBm)	P _{cl} (dB)	Diatance	G _a Antenna Gain(dB)	Peak EIRP (dBm)	Limit (dBm)	Margin (dB)	Polarization
1564.00	-39.09	3.72	3.00	9.04	-33.77	-13.00	-20.77	H
2346.50	-45.20	4.23	3.00	8.60	-40.83	-13.00	-27.83	H
1564.00	-34.84	3.72	3.00	9.04	-29.52	-13.00	-16.52	V
2346.50	-36.64	4.23	3.00	8.60	-32.27	-13.00	-19.27	V

LTE Band 13Channel Bandwidth 5MHz_16QAM_High Channel

Frequency (MHz)	P _{Mea} (dBm)	P _{cl} (dB)	Diatance	G _a Antenna Gain(dB)	Peak EIRP (dBm)	Limit (dBm)	Margin (dB)	Polarization
1569.00	-39.70	4.78	3.00	8.91	-35.57	-13.00	-22.57	H
2353.50	-44.61	4.25	3.00	8.26	-40.60	-13.00	-27.60	H
1569.00	-36.40	4.78	3.00	8.91	-32.27	-13.00	-19.27	V
2353.50	-37.06	4.25	3.00	8.26	-33.05	-13.00	-20.05	V

LTE Band 13Channel Bandwidth 10MHz_16QAM_Low Channel

Frequency (MHz)	P _{Mea} (dBm)	P _{cl} (dB)	Diatance	G _a Antenna Gain(dB)	Peak EIRP (dBm)	Limit (dBm)	Margin (dB)	Polarization
1408.00	-38.26	3.71	3.00	9.02	-32.95	-13.00	-19.95	H
2112.00	-47.28	4.22	3.00	8.64	-42.86	-13.00	-29.86	H
1408.00	-36.33	3.71	3.00	9.02	-31.02	-13.00	-18.02	V
2112.00	-37.52	4.22	3.00	8.64	-33.10	-13.00	-20.10	V

LTE Band 13Channel Bandwidth 10MHz_16QAM_Middle Channel

Frequency (MHz)	P _{Mea} (dBm)	P _{cl} (dB)	Diatance	G _a Antenna Gain(dB)	Peak EIRP (dBm)	Limit (dBm)	Margin (dB)	Polarization
-----------------	------------------------	----------------------	----------	---------------------------------	-----------------	-------------	-------------	--------------

				Gain(dB)	(dBm)			
1555.30	-38.50	3.72	3.00	9.04	-33.18	-13.00	-20.18	H
2346.00	-44.94	4.23	3.00	8.60	-40.57	-13.00	-27.57	H
1555.30	-34.79	3.72	3.00	9.04	-29.47	-13.00	-16.47	V
2346.00	-38.75	4.23	3.00	8.60	-34.38	-13.00	-21.38	V

LTE Band 13 Channel Bandwidth 10MHz_16QAM_High Channel

Frequency (MHz)	P _{Mea} (dBm)	P _{cl} (dB)	Diatance	G _a Antenna Gain(dB)	Peak EIRP (dBm)	Limit (dBm)	Margin (dB)	Polarization
1564.00	-40.44	4.78	3.00	8.91	-36.31	-13.00	-23.31	H
2346.00	-47.70	4.25	3.00	8.26	-43.69	-13.00	-30.69	H
1564.00	-34.87	4.78	3.00	8.91	-30.74	-13.00	-17.74	V
2346.00	-37.04	4.25	3.00	8.26	-33.03	-13.00	-20.03	V

LTE Band 66 Channel Bandwidth 1.4MHz_QPSK_Low Channel

Frequency (MHz)	P _{Mea} (dBm)	P _{cl} (dB)	Diatance	G _a Antenna Gain(dB)	Peak EIRP (dBm)	Limit (dBm)	Margin (dB)	Polarization
3421.4	-41.15	4.62	3.00	9.81	-35.96	-13.00	-22.96	H
5132.1	-48.85	5.94	3.00	10.86	-43.93	-13.00	-30.93	H
3421.4	-36.70	4.62	3.00	9.81	-31.51	-13.00	-18.51	V
5132.1	-41.96	5.94	3.00	10.86	-37.04	-13.00	-24.04	V

LTE Band 66 Channel Bandwidth 1.4MHz_QPSK_Middle Channel

Frequency (MHz)	P _{Mea} (dBm)	P _{cl} (dB)	Diatance	G _a Antenna Gain(dB)	Peak EIRP (dBm)	Limit (dBm)	Margin (dB)	Polarization
3465.0	-42.75	4.63	3.00	9.84	-37.54	-13.00	-24.54	H
5197.5	-47.23	5.94	3.00	10.86	-42.31	-13.00	-29.31	H
3465.0	-33.75	4.63	3.00	9.84	-28.54	-13.00	-15.54	V
5197.5	-40.41	5.94	3.00	10.86	-35.49	-13.00	-22.49	V

LTE Band 66 Channel Bandwidth 1.4MHz_QPSK_High Channel

Frequency (MHz)	P _{Mea} (dBm)	P _{cl} (dB)	Diatance	G _a Antenna Gain(dB)	Peak EIRP (dBm)	Limit (dBm)	Margin (dB)	Polarization
3507.8	-41.87	4.65	3.00	9.90	-36.62	-13.00	-23.62	H
5261.6	-47.52	5.95	3.00	10.91	-42.56	-13.00	-29.56	H
3507.8	-34.54	4.65	3.00	9.90	-29.29	-13.00	-16.29	V
5261.6	-41.64	5.95	3.00	10.91	-36.68	-13.00	-23.68	V

LTE Band 66 Channel_Channel Bandwidth 5MHz_QPSK_Low Channel

Frequency (MHz)	P _{Mea} (dBm)	P _{cl} (dB)	Diatance	G _a Antenna Gain(dB)	Peak EIRP (dBm)	Limit (dBm)	Margin (dB)	Polarization
2425.0	-42.46	4.62	3.00	9.81	-37.27	-13.00	-24.27	H
5131.1	-45.80	5.94	3.00	10.86	-40.88	-13.00	-27.88	H
2425.0	-35.29	4.62	3.00	9.81	-30.10	-13.00	-17.10	V
5131.1	-40.42	5.94	3.00	10.86	-35.50	-13.00	-22.50	V

LTE Band 66 Channel_Channel Bandwidth 5MHz_QPSK_Middle Channel

Frequency (MHz)	P _{Mea} (dBm)	P _{cl} (dB)	Diatance	G _a Antenna Gain(dB)	Peak EIRP (dBm)	Limit (dBm)	Margin (dB)	Polarization
-----------------	------------------------	----------------------	----------	---------------------------------	-----------------	-------------	-------------	--------------

3460.0	-41.71	4.63	3.00	9.84	-36.50	-13.00	-23.50	H
5191.5	-46.74	5.94	3.00	10.86	-41.82	-13.00	-28.82	H
3460.0	-33.64	4.63	3.00	9.84	-28.43	-13.00	-15.43	V
5191.5	-40.55	5.94	3.00	10.86	-35.63	-13.00	-22.63	V

LTE Band 66 Channel _Channel Bandwidth 5MHz_QPSK_ High Channel

Frequency (MHz)	P _{Mea} (dBm)	P _{cl} (dB)	Diatance	G _a Antenna Gain(dB)	Peak EIRP (dBm)	Limit (dBm)	Margin (dB)	Polarization
3500.6	-40.53	4.65	3.00	9.90	-35.28	-13.00	-22.28	H
5250.8	-48.60	5.95	3.00	10.91	-43.64	-13.00	-30.64	H
3500.6	-33.55	4.65	3.00	9.90	-28.30	-13.00	-15.30	V
5250.8	-38.70	5.95	3.00	10.91	-33.74	-13.00	-20.74	V

LTE Band 66 Channel _Channel Bandwidth 10MHz_QPSK_ Low Channel

Frequency (MHz)	P _{Mea} (dBm)	P _{cl} (dB)	Diatance	G _a Antenna Gain(dB)	Peak EIRP (dBm)	Limit (dBm)	Margin (dB)	Polarization
3420.8	-41.48	4.62	3.00	9.81	-36.29	-13.00	-23.29	H
5131.9	-47.08	5.94	3.00	10.86	-42.16	-13.00	-29.16	H
3420.8	-35.97	4.62	3.00	9.81	-30.78	-13.00	-17.78	V
5131.9	-38.78	5.94	3.00	10.86	-33.86	-13.00	-20.86	V

LTE Band 66 Channel _Channel Bandwidth 10MHz_QPSK_ Middle Channel

Frequency (MHz)	P _{Mea} (dBm)	P _{cl} (dB)	Diatance	G _a Antenna Gain(dB)	Peak EIRP (dBm)	Limit (dBm)	Margin (dB)	Polarization
3456.0	-42.01	4.63	3.00	9.84	-36.80	-13.00	-23.80	H
5184.4	-46.96	5.94	3.00	10.86	-42.04	-13.00	-29.04	H
3456.0	-36.77	4.63	3.00	9.84	-31.56	-13.00	-18.56	V
5184.4	-38.39	5.94	3.00	10.86	-33.47	-13.00	-20.47	V

LTE Band 66 Channel _Channel Bandwidth 10MHz_QPSK_ High Channel

Frequency (MHz)	P _{Mea} (dBm)	P _{cl} (dB)	Diatance	G _a Antenna Gain(dB)	Peak EIRP (dBm)	Limit (dBm)	Margin (dB)	Polarization
3490.9	-42.57	4.65	3.00	9.90	-37.32	-13.00	-24.32	H
5236.9	-46.31	5.95	3.00	10.91	-41.35	-13.00	-28.35	H
3490.9	-35.60	4.65	3.00	9.90	-30.35	-13.00	-17.35	V
5236.9	-41.64	5.95	3.00	10.91	-36.68	-13.00	-23.68	V

LTE Band 66 Channel _Channel Bandwidth 20MHz_QPSK_ Low Channel

Frequency (MHz)	P _{Mea} (dBm)	P _{cl} (dB)	Diatance	G _a Antenna Gain(dB)	Peak EIRP (dBm)	Limit (dBm)	Margin (dB)	Polarization
3421.9	-42.86	4.62	3.00	9.81	-37.67	-13.00	-24.67	H
5133.0	-47.76	5.94	3.00	10.86	-42.84	-13.00	-29.84	H
3421.9	-33.43	4.62	3.00	9.81	-28.24	-13.00	-15.24	V
5133.0	-41.48	5.94	3.00	10.86	-36.56	-13.00	-23.56	V

LTE Band 66 Channel _Channel Bandwidth 20MHz_QPSK_ Middle Channel

Frequency (MHz)	P _{Mea} (dBm)	P _{cl} (dB)	Diatance	G _a Antenna Gain(dB)	Peak EIRP (dBm)	Limit (dBm)	Margin (dB)	Polarization
3447.0	-43.83	4.63	3.00	9.84	-38.62	-13.00	-25.62	H
5170.5	-46.76	5.94	3.00	10.86	-41.84	-13.00	-28.84	H
3447.0	-33.96	4.63	3.00	9.84	-28.75	-13.00	-15.75	V
5170.5	-38.12	5.94	3.00	10.86	-33.20	-13.00	-20.20	V

LTE Band 66 Channel _Channel Bandwidth 20MHz_QPSK_ High Channel

Frequency (MHz)	P _{Mea} (dBm)	P _{cl} (dB)	Diatance	G _a Antenna Gain(dB)	Peak EIRP (dBm)	Limit (dBm)	Margin (dB)	Polarization
3472.1	-41.72	4.65	3.00	9.90	-36.47	-13.00	-23.47	H
5208.4	-48.99	5.95	3.00	10.91	-44.03	-13.00	-31.03	H
3472.1	-36.85	4.65	3.00	9.90	-31.60	-13.00	-18.60	V
5208.4	-38.66	5.95	3.00	10.91	-33.70	-13.00	-20.70	V

LTE Band 66 Channel _Channel Bandwidth 1.4MHz_16QAM_ Low Channel

Frequency (MHz)	P _{Mea} (dBm)	P _{cl} (dB)	Diatance	G _a Antenna Gain(dB)	Peak EIRP (dBm)	Limit (dBm)	Margin (dB)	Polarization
3421.4	-45.78	4.62	3.00	9.81	-40.59	-13.00	-27.59	H
5132.1	-49.87	5.94	3.00	10.86	-44.95	-13.00	-31.95	H
3421.4	-39.28	4.62	3.00	9.81	-34.09	-13.00	-21.09	V
5132.1	-44.96	5.94	3.00	10.86	-40.04	-13.00	-27.04	V

LTE Band 66 Channel _Channel Bandwidth 1.4MHz_16QAM_ Middle Channel

Frequency (MHz)	P _{Mea} (dBm)	P _{cl} (dB)	Diatance	G _a Antenna Gain(dB)	Peak EIRP (dBm)	Limit (dBm)	Margin (dB)	Polarization
3465.0	-44.62	4.63	3.00	9.84	-39.41	-13.00	-26.41	H
5197.5	-49.71	5.94	3.00	10.86	-44.79	-13.00	-31.79	H
3465.0	-36.31	4.63	3.00	9.84	-31.10	-13.00	-18.10	V
5197.5	-42.42	5.94	3.00	10.86	-37.50	-13.00	-24.50	V

LTE Band 66 Channel _Channel Bandwidth 1.4MHz_16QAM_ High Channel

Frequency (MHz)	P _{Mea} (dBm)	P _{cl} (dB)	Diatance	G _a Antenna Gain(dB)	Peak EIRP (dBm)	Limit (dBm)	Margin (dB)	Polarization
3507.8	-44.98	4.65	3.00	9.90	-39.73	-13.00	-26.73	H
5261.6	-50.21	5.95	3.00	10.91	-45.25	-13.00	-32.25	H
3507.8	-39.24	4.65	3.00	9.90	-33.99	-13.00	-20.99	V
5261.6	-41.99	5.95	3.00	10.91	-37.03	-13.00	-24.03	V

LTE Band 66 Channel _Channel Bandwidth 5MHz_16QAM_ Low Channel

Frequency (MHz)	P _{Mea} (dBm)	P _{cl} (dB)	Diatance	G _a Antenna Gain(dB)	Peak EIRP (dBm)	Limit (dBm)	Margin (dB)	Polarization
2425.0	-46.71	4.62	3.00	9.81	-41.52	-13.00	-28.52	H
5131.1	-49.45	5.94	3.00	10.86	-44.53	-13.00	-31.53	H
2425.0	-36.66	4.62	3.00	9.81	-31.47	-13.00	-18.47	V
5131.1	-43.59	5.94	3.00	10.86	-38.67	-13.00	-25.67	V

LTE Band 66 Channel _Channel Bandwidth 5MHz_16QAM_ Middle Channel

Frequency (MHz)	P _{Mea} (dBm)	P _{cl} (dB)	Diatance	G _a Antenna Gain(dB)	Peak EIRP (dBm)	Limit (dBm)	Margin (dB)	Polarization
3460.0	-43.16	4.63	3.00	9.84	-37.95	-13.00	-24.95	H
5191.5	-50.79	5.94	3.00	10.86	-45.87	-13.00	-32.87	H
3460.0	-38.08	4.63	3.00	9.84	-32.87	-13.00	-19.87	V
5191.5	-41.61	5.94	3.00	10.86	-36.69	-13.00	-23.69	V

LTE Band 66 Channel _Channel Bandwidth 5MHz_16QAM_ High Channel

Frequency (MHz)	P _{Mea} (dBm)	P _{cl} (dB)	Diatance	G _a Antenna Gain(dB)	Peak EIRP (dBm)	Limit (dBm)	Margin (dB)	Polarization
3500.6	-45.32	4.65	3.00	9.90	-40.07	-13.00	-27.07	H
5250.8	-48.52	5.95	3.00	10.91	-43.56	-13.00	-30.56	H
3500.6	-39.25	4.65	3.00	9.90	-34.00	-13.00	-21.00	V
5250.8	-43.77	5.95	3.00	10.91	-38.81	-13.00	-25.81	V

LTE Band 66 Channel _Channel Bandwidth 10MHz_16QAM_ Low Channel

Frequency (MHz)	P _{Mea} (dBm)	P _{cl} (dB)	Diatance	G _a Antenna Gain(dB)	Peak EIRP (dBm)	Limit (dBm)	Margin (dB)	Polarization
3420.8	-43.37	4.62	3.00	9.81	-38.18	-13.00	-25.18	H
5131.9	-50.67	5.94	3.00	10.86	-45.75	-13.00	-32.75	H
3420.8	-38.80	4.62	3.00	9.81	-33.61	-13.00	-20.61	V
5131.9	-42.95	5.94	3.00	10.86	-38.03	-13.00	-25.03	V

LTE Band 66 Channel _Channel Bandwidth 10MHz_16QAM_ Middle Channel

Frequency (MHz)	P _{Mea} (dBm)	P _{cl} (dB)	Diatance	G _a Antenna Gain(dB)	Peak EIRP (dBm)	Limit (dBm)	Margin (dB)	Polarization
3456.0	-45.17	4.63	3.00	9.84	-39.96	-13.00	-26.96	H
5184.4	-51.34	5.94	3.00	10.86	-46.42	-13.00	-33.42	H
3456.0	-38.65	4.63	3.00	9.84	-33.44	-13.00	-20.44	V
5184.4	-42.80	5.94	3.00	10.86	-37.88	-13.00	-24.88	V

LTE Band 66 Channel _Channel Bandwidth 10MHz_16QAM_ High Channel

Frequency (MHz)	P _{Mea} (dBm)	P _{cl} (dB)	Diatance	G _a Antenna Gain(dB)	Peak EIRP (dBm)	Limit (dBm)	Margin (dB)	Polarization
3490.9	-45.38	4.65	3.00	9.90	-40.13	-13.00	-27.13	H
5236.9	-50.57	5.95	3.00	10.91	-45.61	-13.00	-32.61	H
3490.9	-37.82	4.65	3.00	9.90	-32.57	-13.00	-19.57	V
5236.9	-44.97	5.95	3.00	10.91	-40.01	-13.00	-27.01	V

LTE Band 66 Channel _Channel Bandwidth 20MHz_16QAM_ Low Channel

Frequency (MHz)	P _{Mea} (dBm)	P _{cl} (dB)	Diatance	G _a Antenna Gain(dB)	Peak EIRP (dBm)	Limit (dBm)	Margin (dB)	Polarization
3421.9	-44.07	4.62	3.00	9.81	-38.88	-13.00	-25.88	H
5133.0	-49.29	5.94	3.00	10.86	-44.37	-13.00	-31.37	H
3421.9	-39.62	4.62	3.00	9.81	-34.43	-13.00	-21.43	V
5133.0	-41.24	5.94	3.00	10.86	-36.32	-13.00	-23.32	V

LTE Band 66 Channel _Channel Bandwidth 20MHz_16QAM_ Middle Channel

Frequency (MHz)	P _{Mea} (dBm)	P _{cl} (dB)	Diatance	G _a Antenna Gain(dB)	Peak EIRP (dBm)	Limit (dBm)	Margin (dB)	Polarization
3447.0	-44.16	4.63	3.00	9.84	-38.95	-13.00	-25.95	H
5170.5	-49.29	5.94	3.00	10.86	-44.37	-13.00	-31.37	H
3447.0	-37.17	4.63	3.00	9.84	-31.96	-13.00	-18.96	V
5170.5	-41.21	5.94	3.00	10.86	-36.29	-13.00	-23.29	V

LTE Band 66 Channel _Channel Bandwidth 20MHz_16QAM _ High Channel

Frequency (MHz)	P _{Mea} (dBm)	P _{cl} (dB)	Diatance	G _a Antenna Gain(dB)	Peak EIRP (dBm)	Limit (dBm)	Margin (dB)	Polarization
3472.1	-44.06	4.65	3.00	9.90	-38.81	-13.00	-25.81	H
5208.4	-48.20	5.95	3.00	10.91	-43.24	-13.00	-30.24	H
3472.1	-37.86	4.65	3.00	9.90	-32.61	-13.00	-19.61	V
5208.4	-41.68	5.95	3.00	10.91	-36.72	-13.00	-23.72	V

LTE Band 71 _Channel Bandwidth 5MHz_QPSK_ Low Channel

Frequency (MHz)	P _{Mea} (dBm)	P _{cl} (dB)	Diatance	G _a Antenna Gain(dB)	Peak EIRP (dBm)	Limit (dBm)	Margin (dB)	Polarization
1331.0	-42.46	4.62	3.00	9.81	-37.27	-13.00	-24.27	H
1996.5	-45.80	5.94	3.00	10.86	-40.88	-13.00	-27.88	H
1331.0	-35.29	4.62	3.00	9.81	-30.10	-13.00	-17.10	V
1996.5	-40.42	5.94	3.00	10.86	-35.50	-13.00	-22.50	V

LTE Band 71 _Channel Bandwidth 5MHz_QPSK_ Middle Channel

Frequency (MHz)	P _{Mea} (dBm)	P _{cl} (dB)	Diatance	G _a Antenna Gain(dB)	Peak EIRP (dBm)	Limit (dBm)	Margin (dB)	Polarization
1361.0	-41.71	4.63	3.00	9.84	-36.50	-13.00	-23.50	H
2041.5	-46.74	5.94	3.00	10.86	-41.82	-13.00	-28.82	H
1361.0	-33.64	4.63	3.00	9.84	-28.43	-13.00	-15.43	V
2041.5	-40.55	5.94	3.00	10.86	-35.63	-13.00	-22.63	V

LTE Band 71 _Channel Bandwidth 5MHz_QPSK_ High Channel

Frequency (MHz)	P _{Mea} (dBm)	P _{cl} (dB)	Diatance	G _a Antenna Gain(dB)	Peak EIRP (dBm)	Limit (dBm)	Margin (dB)	Polarization
1391.0	-40.53	4.65	3.00	9.90	-35.28	-13.00	-22.28	H
2086.5	-48.60	5.95	3.00	10.91	-43.64	-13.00	-30.64	H
1391.0	-33.55	4.65	3.00	9.90	-28.30	-13.00	-15.30	V
2086.5	-38.70	5.95	3.00	10.91	-33.74	-13.00	-20.74	V

LTE Band 71 _Channel Bandwidth 10MHz_QPSK_ Low Channel

Frequency (MHz)	P _{Mea} (dBm)	P _{cl} (dB)	Diatance	G _a Antenna Gain(dB)	Peak EIRP (dBm)	Limit (dBm)	Margin (dB)	Polarization
1336.0	-41.48	4.62	3.00	9.81	-36.29	-13.00	-23.29	H
2004.0	-47.08	5.94	3.00	10.86	-42.16	-13.00	-29.16	H
1336.0	-35.97	4.62	3.00	9.81	-30.78	-13.00	-17.78	V
2004.0	-38.78	5.94	3.00	10.86	-33.86	-13.00	-20.86	V

LTE Band 71 _Channel Bandwidth 10MHz_QPSK_ Middle Channel

Frequency (MHz)	P _{Mea} (dBm)	P _{cl} (dB)	Diatance	G _a Antenna Gain(dB)	Peak EIRP (dBm)	Limit (dBm)	Margin (dB)	Polarization
1361.0	-42.01	4.63	3.00	9.84	-36.80	-13.00	-23.80	H
2041.5	-46.96	5.94	3.00	10.86	-42.04	-13.00	-29.04	H
1361.0	-36.77	4.63	3.00	9.84	-31.56	-13.00	-18.56	V
2041.5	-38.39	5.94	3.00	10.86	-33.47	-13.00	-20.47	V

LTE Band 71_Channel Bandwidth 10MHz_QPSK_High Channel

Frequency (MHz)	P _{Mea} (dBm)	P _{cl} (dB)	Diatance	G _a Antenna Gain(dB)	Peak EIRP (dBm)	Limit (dBm)	Margin (dB)	Polarization
1386.0	-42.57	4.65	3.00	9.90	-37.32	-13.00	-24.32	H
2079.0	-46.31	5.95	3.00	10.91	-41.35	-13.00	-28.35	H
1386.0	-35.60	4.65	3.00	9.90	-30.35	-13.00	-17.35	V
2079.0	-41.64	5.95	3.00	10.91	-36.68	-13.00	-23.68	V

LTE Band 71_Channel Bandwidth 20MHz_QPSK_Low Channel

Frequency (MHz)	P _{Mea} (dBm)	P _{cl} (dB)	Diatance	G _a Antenna Gain(dB)	Peak EIRP (dBm)	Limit (dBm)	Margin (dB)	Polarization
1346.0	-42.86	4.62	3.00	9.81	-37.67	-13.00	-24.67	H
2019.0	-47.76	5.94	3.00	10.86	-42.84	-13.00	-29.84	H
1346.0	-33.43	4.62	3.00	9.81	-28.24	-13.00	-15.24	V
2019.0	-41.48	5.94	3.00	10.86	-36.56	-13.00	-23.56	V

LTE Band 71_Channel Bandwidth 20MHz_QPSK_Middle Channel

Frequency (MHz)	P _{Mea} (dBm)	P _{cl} (dB)	Diatance	G _a Antenna Gain(dB)	Peak EIRP (dBm)	Limit (dBm)	Margin (dB)	Polarization
1366.0	-43.83	4.63	3.00	9.84	-38.62	-13.00	-25.62	H
2049.0	-46.76	5.94	3.00	10.86	-41.84	-13.00	-28.84	H
1366.0	-33.96	4.63	3.00	9.84	-28.75	-13.00	-15.75	V
2049.0	-38.12	5.94	3.00	10.86	-33.20	-13.00	-20.20	V

LTE Band 71_Channel Bandwidth 20MHz_QPSK_High Channel

Frequency (MHz)	P _{Mea} (dBm)	P _{cl} (dB)	Diatance	G _a Antenna Gain(dB)	Peak EIRP (dBm)	Limit (dBm)	Margin (dB)	Polarization
1376.0	-41.72	4.65	3.00	9.90	-36.47	-13.00	-23.47	H
2064.0	-48.99	5.95	3.00	10.91	-44.03	-13.00	-31.03	H
1376.0	-36.85	4.65	3.00	9.90	-31.60	-13.00	-18.60	V
2064.0	-38.66	5.95	3.00	10.91	-33.70	-13.00	-20.70	V

LTE Band 71_Channel Bandwidth 5MHz_16QAM_Low Channel

Frequency (MHz)	P _{Mea} (dBm)	P _{cl} (dB)	Diatance	G _a Antenna Gain(dB)	Peak EIRP (dBm)	Limit (dBm)	Margin (dB)	Polarization
1331.0	-46.71	4.62	3.00	9.81	-41.52	-13.00	-28.52	H
1996.5	-49.45	5.94	3.00	10.86	-44.53	-13.00	-31.53	H
1331.0	-36.66	4.62	3.00	9.81	-31.47	-13.00	-18.47	V
1996.5	-43.59	5.94	3.00	10.86	-38.67	-13.00	-25.67	V

LTE Band 71_Channel Bandwidth 5MHz_16QAM_Middle Channel

Frequency (MHz)	P _{Mea} (dBm)	P _{cl} (dB)	Diatance	G _a Antenna Gain(dB)	Peak EIRP (dBm)	Limit (dBm)	Margin (dB)	Polarization
1361.0	-43.16	4.63	3.00	9.84	-37.95	-13.00	-24.95	H
2041.5	-50.79	5.94	3.00	10.86	-45.87	-13.00	-32.87	H
1361.0	-38.08	4.63	3.00	9.84	-32.87	-13.00	-19.87	V
2041.5	-41.61	5.94	3.00	10.86	-36.69	-13.00	-23.69	V

LTE Band 71_Channel Bandwidth 5MHz_16QAM_High Channel

Frequency (MHz)	P _{Mea} (dBm)	P _{cl} (dB)	Diatance	G _a Antenna Gain(dB)	Peak EIRP (dBm)	Limit (dBm)	Margin (dB)	Polarization
1391.0	-45.32	4.65	3.00	9.90	-40.07	-13.00	-27.07	H
2086.5	-48.52	5.95	3.00	10.91	-43.56	-13.00	-30.56	H
1391.0	-39.25	4.65	3.00	9.90	-34.00	-13.00	-21.00	V
2086.5	-43.77	5.95	3.00	10.91	-38.81	-13.00	-25.81	V

LTE Band 71_Channel Bandwidth 10MHz_16QAM_Low Channel

Frequency (MHz)	P _{Mea} (dBm)	P _{cl} (dB)	Diatance	G _a Antenna Gain(dB)	Peak EIRP (dBm)	Limit (dBm)	Margin (dB)	Polarization
1336.0	-43.37	4.62	3.00	9.81	-38.18	-13.00	-25.18	H
2004.0	-50.67	5.94	3.00	10.86	-45.75	-13.00	-32.75	H
1336.0	-38.80	4.62	3.00	9.81	-33.61	-13.00	-20.61	V
2004.0	-42.95	5.94	3.00	10.86	-38.03	-13.00	-25.03	V

LTE Band 71_Channel Bandwidth 10MHz_16QAM_Middle Channel

Frequency (MHz)	P _{Mea} (dBm)	P _{cl} (dB)	Diatance	G _a Antenna Gain(dB)	Peak EIRP (dBm)	Limit (dBm)	Margin (dB)	Polarization
1361.0	-45.17	4.63	3.00	9.84	-39.96	-13.00	-26.96	H
2041.5	-51.34	5.94	3.00	10.86	-46.42	-13.00	-33.42	H
1361.0	-38.65	4.63	3.00	9.84	-33.44	-13.00	-20.44	V
2041.5	-42.80	5.94	3.00	10.86	-37.88	-13.00	-24.88	V

LTE Band 71_Channel Bandwidth 10MHz_16QAM_High Channel

Frequency (MHz)	P _{Mea} (dBm)	P _{cl} (dB)	Diatance	G _a Antenna Gain(dB)	Peak EIRP (dBm)	Limit (dBm)	Margin (dB)	Polarization
1686.0	-45.38	4.65	3.00	9.90	-40.13	-13.00	-27.13	H
2079.0	-50.57	5.95	3.00	10.91	-45.61	-13.00	-32.61	H
1686.0	-37.82	4.65	3.00	9.90	-32.57	-13.00	-19.57	V
2079.0	-44.97	5.95	3.00	10.91	-40.01	-13.00	-27.01	V

LTE Band 71_Channel Bandwidth 20MHz_16QAM_Low Channel

Frequency (MHz)	P _{Mea} (dBm)	P _{cl} (dB)	Diatance	G _a Antenna Gain(dB)	Peak EIRP (dBm)	Limit (dBm)	Margin (dB)	Polarization
1346.0	-44.07	4.62	3.00	9.81	-38.88	-13.00	-25.88	H
2019.0	-49.29	5.94	3.00	10.86	-44.37	-13.00	-31.37	H
1346.0	-39.62	4.62	3.00	9.81	-34.43	-13.00	-21.43	V
2019.0	-41.24	5.94	3.00	10.86	-36.32	-13.00	-23.32	V

LTE Band 71_Channel Bandwidth 20MHz_16QAM_Middle Channel

Frequency (MHz)	P _{Mea} (dBm)	P _{cl} (dB)	Diatance	G _a Antenna Gain(dB)	Peak EIRP (dBm)	Limit (dBm)	Margin (dB)	Polarization
1366.0	-44.16	4.63	3.00	9.84	-38.95	-13.00	-25.95	H
2049.5	-49.29	5.94	3.00	10.86	-44.37	-13.00	-31.37	H
1366.0	-37.17	4.63	3.00	9.84	-31.96	-13.00	-18.96	V
2049.5	-41.21	5.94	3.00	10.86	-36.29	-13.00	-23.29	V

LTE Band 71_Channel Bandwidth 20MHz_16QAM_High Channel

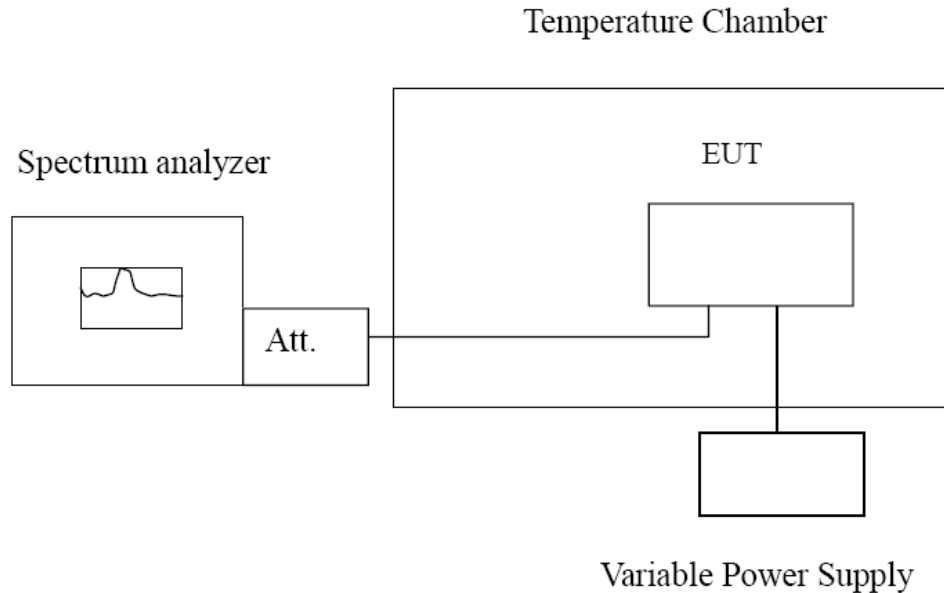
Frequency (MHz)	P _{Mea} (dBm)	P _{cl} (dB)	Diatance	G _a Antenna Gain(dB)	Peak EIRP (dBm)	Limit (dBm)	Margin (dB)	Polarization
1376.0	-44.06	4.65	3.00	9.90	-38.81	-13.00	-25.81	H
2064.0	-48.20	5.95	3.00	10.91	-43.24	-13.00	-30.24	H
1376.0	-37.86	4.65	3.00	9.90	-32.61	-13.00	-19.61	V
2064.0	-41.68	5.95	3.00	10.91	-36.72	-13.00	-23.72	V

4. Frequency Stability under Temperature & Voltage Variations

LIMIT

According to §27.54, §2.1055 requirement, the frequency stability shall be sufficient to ensure that the fundamental emissions stay within the authorized bands of operation and should not exceed 2.5ppm.

TEST CONFIGURATION



TEST PROCEDURE

The EUT was setup according to EIA/TIA 603D

Frequency Stability under Temperature Variations:

In order to measure the carrier frequency under the condition of AFC lock, it is necessary to make measurements with the EUT in a "call mode". This is accomplished with the use of R&S CMW500 DIGITAL RADIO COMMUNICATION TESTER.

1. Measure the carrier frequency at room temperature.
2. Subject the EUT to overnight soak at -30°C.
3. With the EUT, powered via nominal voltage, connected to the CMW500 and in a simulated call on middle channel for LTE band 4, measure the carrier frequency. These measurements should be made within 2 minutes of Powering up the EUT, to prevent significant self-warming.
4. Repeat the above measurements at 10°C increments from -30°C to +50°C. Allow at least 1.5 hours at each temperature, unpowered, before making measurements.
5. Re-measure carrier frequency at room temperature with nominal voltage. Vary supply voltage from minimum voltage to maximum voltage, in 0.1Volt increments re-measuring carrier frequency at each voltage. Pause at nominal voltage for 1.5 hours unpowered, to allow any self-heating to stabilize, before continuing.
6. Subject the EUT to overnight soak at +50°C.
7. With the EUT, powered via nominal voltage, connected to the CMW500 and in a simulated call on the centre channel, measure the carrier frequency. These measurements should be made within 2 minutes of Powering up the EUT, to prevent significant self-warming.
8. Repeat the above measurements at 10 °C increments from +50°C to -30°C. Allow at least 1.5 hours at each temperature, unpowered, before making measurements
9. At all temperature levels hold the temperature to +/- 0.5°C during the measurement procedure.

Frequency Stability under Voltage Variations:

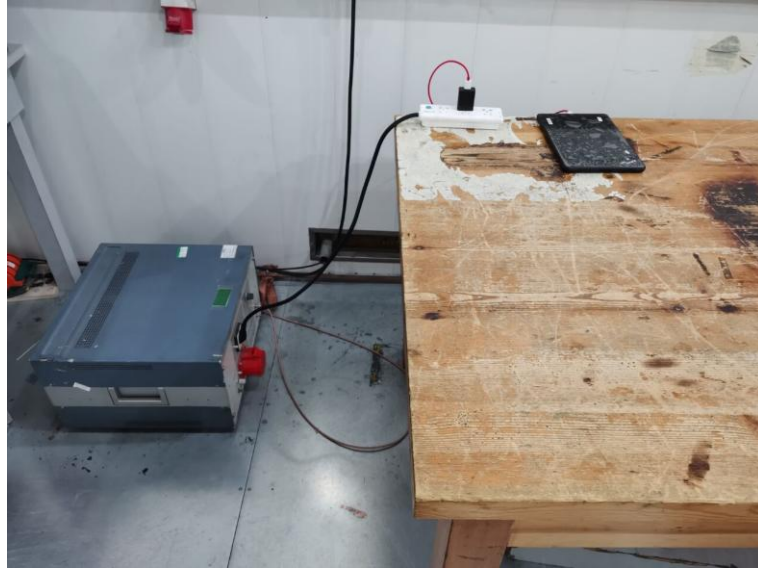
Set chamber temperature to 20°C. Use a variable AC power supply / DC power source to power the EUT and set the voltage to rated voltage. Set the spectrum analyzer RBW low enough to obtain the desired frequency resolution and recorded the frequency.

Reduce the input voltage to specify extreme voltage variation ($\pm 15\%$) and endpoint, record the maximum frequency change.

TEST RESULTS

1. please refer to Appendix B: Section B.5
2. please refer to Appendix E: Section E.5
3. please refer to Appendix G: Section G.5
4. please refer to Appendix H: Section H.5
5. please refer to Appendix J: Section J.5
6. please refer to Appendix K: Section K.5

5. Test Setup Photos of the EUT



6. External and Internal Photos of the EUT

Reference to the test report No. CTL2103122022-WF01

***** End of Report *****