

60 mm

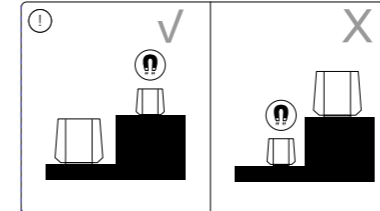
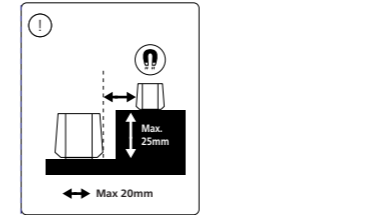
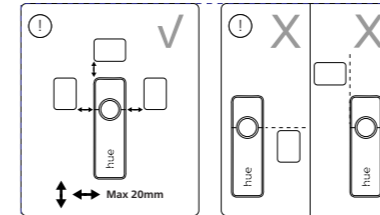
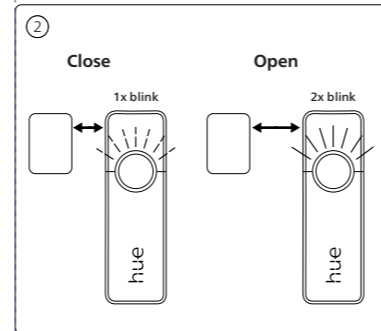
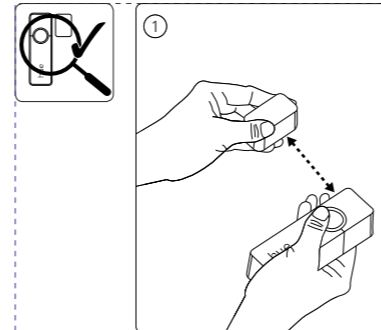
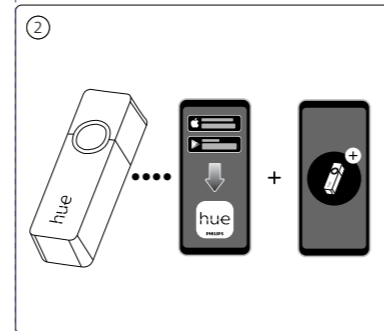
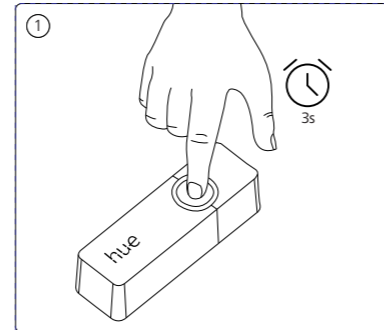
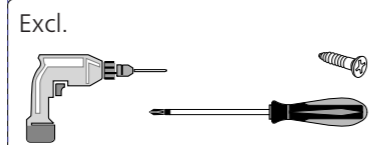
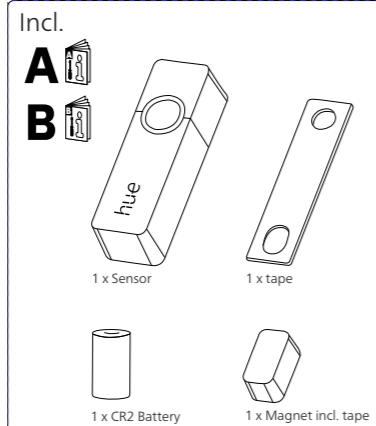
100 mm

**PHILIPS**  
hue  
personal wireless lighting  
Secure contact sensor

**A**



User manual  
Benutzerhandbuch  
Notice d'emploi  
Manual de usuario  
Manual do usuário  
Manuale d'uso

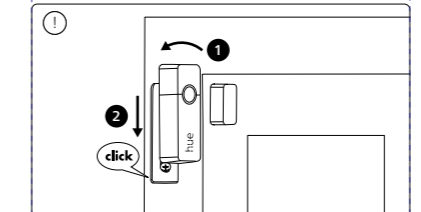
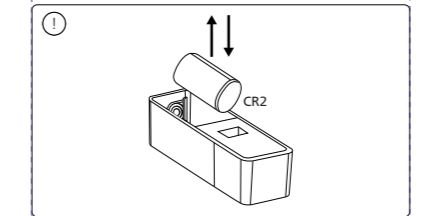
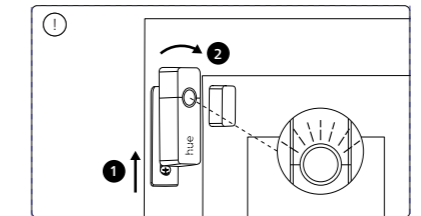
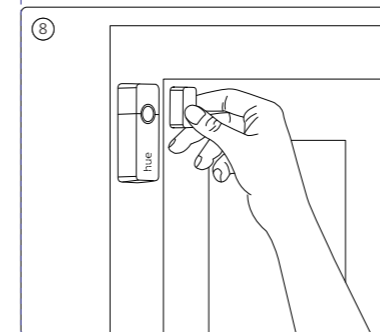
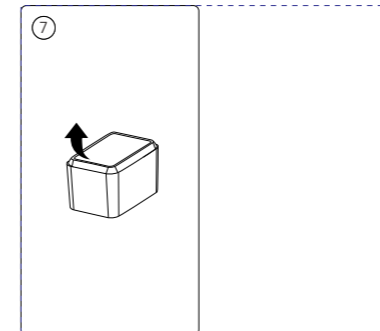
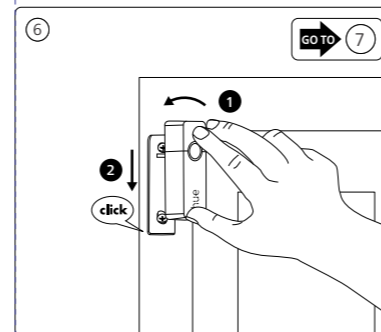
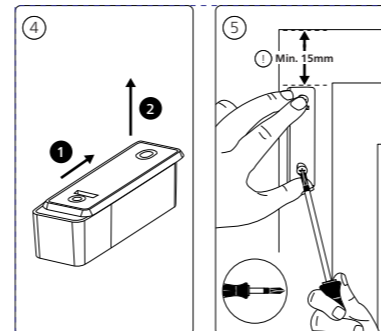
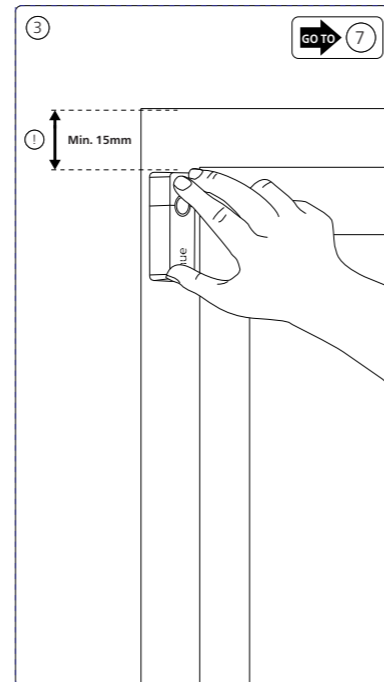
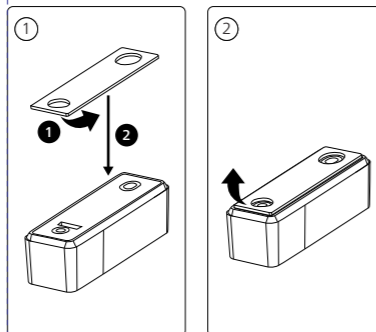
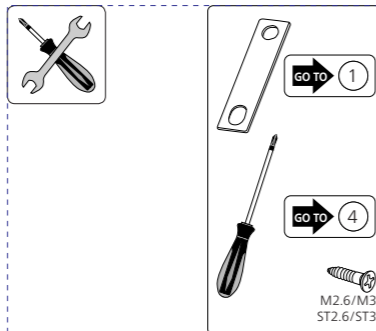
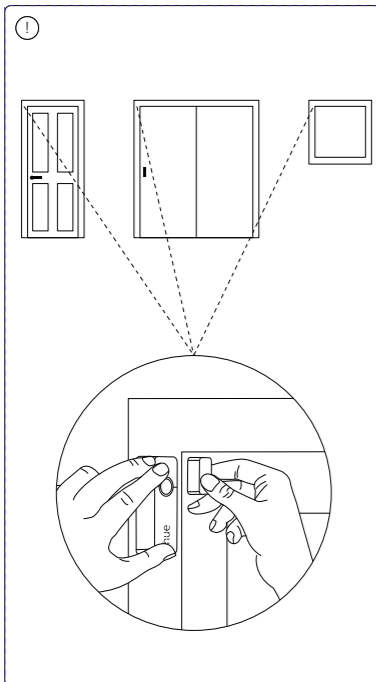


Signify  
1.B.R.S. / C.C.R.I. Numéro 10461  
5600 VB Eindhoven,  
the Netherlands  
00800-74454775  
© 2022 Signify Holding  
All rights reserved

www.philips-hue.com  
3222 639 10691  
Last update: 07/2022

60 mm

100 mm



**ARTWORK**

Master Ref: **PHL528301**  
TR Ref: **TR2552641**  
Brand: PHILIPS  
Brand execution: HUE 2020  
Article Name:  
Article Number:  
Region: Trident UK  
Template Ref: Template 10 - Europe 60x100mm - Philips Hue  
Artwork 12NC: 322263910691  
Die cut 12NC:  
Barcode: N/A  
CRC Number:  
Action: **E**  
Date: 13/10/2022

Project Manager: Arno van den Biggelaar

Trident Artist: Debbie Andrews

Technical & Non Printing Items

Dieline      Guides

Colours:



**PHILIPS**



Trident UK, Connaught House, Connaught Road,  
Kingswood Business Park, Hull, HU7 3AP, England.  
T: +44 (0) 01482 828100

Please note that any low resolution paper Canon colour  
copies associated with this job should be referred to for  
content, layout and colour separation only.

UNDER NO CIRCUMSTANCES SHOULD THIS  
ARTWORK BE ALTERED WITHOUT PRIOR  
PERMISSION FROM TRIDENT.