

Product name: WiZ camera module

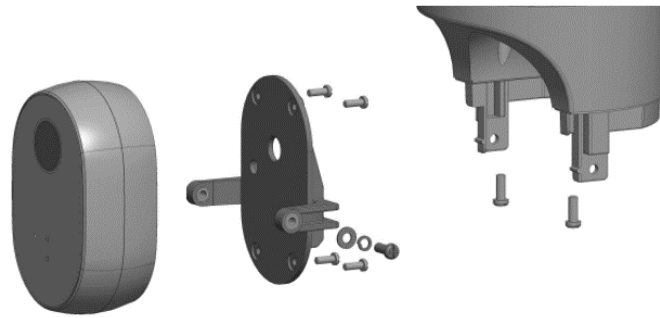
Model name: 9290032837



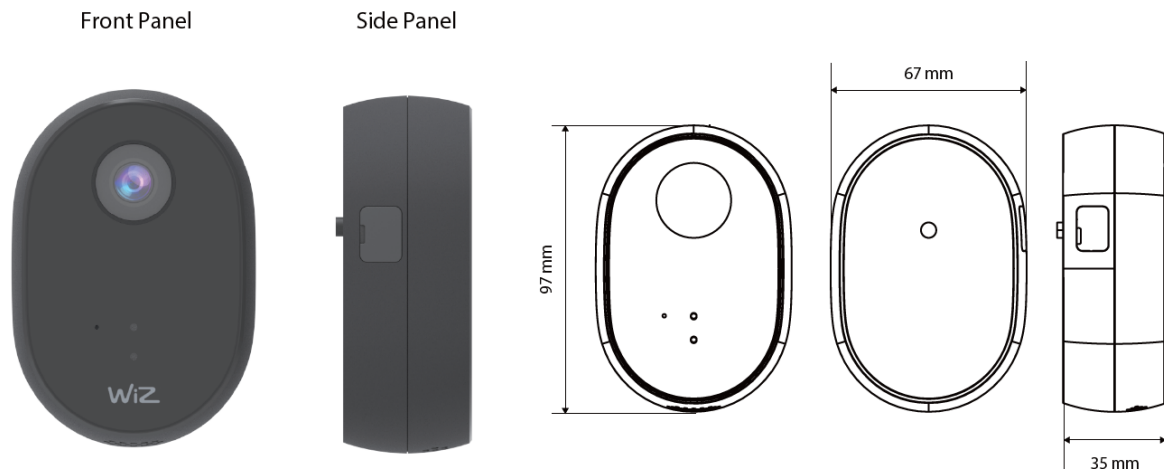
Product briefing:

WiZ Camera module is offered as a Connected module which can be integrated into Luminaire, offering the Home Monitoring proposition next to Connected lighting.

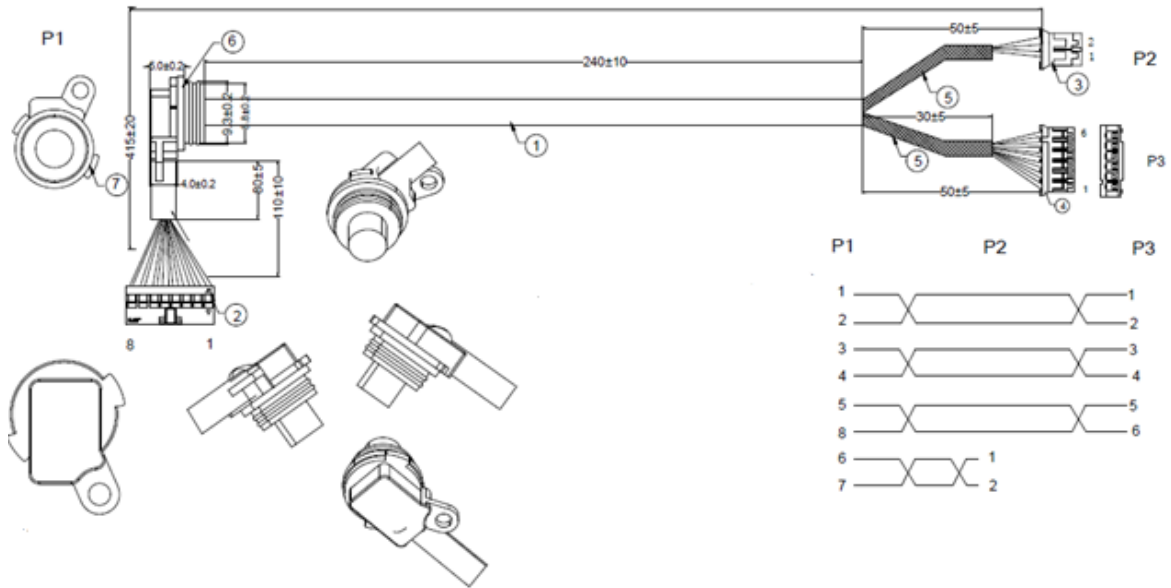
Mounting reference:



Dimension :



Connection (flying cable):



Product interfacing info:

ID Overview



Electrical information:

Input voltage	5Vdc +/- 5%	
Current/Power	2A/10W	RMS=3.3W, peak=6.2W (Max)
Over voltage protection	12Vdc max.	
Protection against electric shock	Class 2, SELV	
Radio Frequency	2400MHz-2483.5MHz	EU: 1-13 channel NAM: 1-11 channel
Radio Transmission power	20dBm for NAM 16dBm for E.U.	
Wi-Fi communication range	150meters	Line of Sight

Mechanical information:

Overall Dimension (main body)	97mmx 67mm x35mm	
Color	Black	
Housing Material	PC	
Net weight per piece	120g	
Ingress Protection	IP54, Wet location	
Connection	Flying cable, 30 cm	
Connectors	PH2.0 2P, PH2.0 6P	
Strength relief	>= 50N	

Environment and approbation:

Operation temp	-20°C...+45°C	
Storage temp	-40°C...+70°C	
Operation relative humidity	0°C/10°C90%RH, +45°C80%RH no condensation	
Storage relative humidity	+70°C 24hrs / -40°C 24hrs / +70°C 95%RH 24hrs no condensation	
Approbation	WFA, UL, CB, RED, FCC/IC	
Hazardous substances compliance	ROHS, REACH compliant	
Warranty	2 years	
Anti-UV	1.Optical parts (Lens cover, light sensor etc.): - $\Delta E < 2$, - transmissivity degradation <2%, - Reflectivity degradation <2% , - No impact for image quality and day/night scenes switch. 2.Other parts: $\Delta E < 6$; 3.Significant reduction in mechanical strength and pulverizing, embrittling, peeling, obvious color change are not allowed.	

Others

LED indicator	Red, Green	
Button	Tack switch	
SD card	Micro-SD card support up to 1TB	Not included
Interface 8pin	UART_TX(white), UART_RX(orange), GPIO_01(green), GPIO_02(purple), GND(black), USB_DP(blue), USB_DM(brown), 5V(red)	
Startup time	1min cold start at -20°C, 45seconds at 25°C	

Outdoor IP Camera

- Two Mega Pixel CMOS sensor and supports up 10 meters night vision high power IR LED for true day/night mode capability
- It features 802.11b/g/n single band Wi-Fi for clearer 2.4GHz requery and increased bandwidth
- Provides H.264 video compression codec
- 2-way audio with 2W speaker and built-in omni-directional microphone



→ Processors and Memory

Processors and Memory	CPU : 960MHz RAM : DDR3 128MB (Max) Flash : Nand Flash 128MB
-----------------------	--

→ Optical

CMOS Sensor	2 Mega Pixel
Lens	F2.0, Fixed Focus FOV (D/H/V): 120°/ 105°/ 56°±1%
Night Vision	850nm IR LED*1 (1A max.) Full color when ambient illuminance > 0.2Lux Distance:10M

→ Video

Video Compression	H.264
Resolution and Frame Rate	Up to 1080p 30fps (1920*1080) 1080p(1920*1080), 720p(1280*720) selectable

→ WiFi

WiFi compliance	802.11b/g/n compliance
Band	2400MHz-2483.5MHz

→ Antenna

Quantity	2
TX/RX	2T2R

→ Audio

Audio	2-way Audio (Half-Duplex)
-------	---------------------------

→ Audio Power Amplifier

Output power	2.4W (4Ω, f=1kHz, THD+N=1%)
Supply voltage	3V~5.25V
Efficiency	90% (V _{dd} =5V, P _o =1.7 W ,8Ω Load)

→ Speaker

Power (W)	2
Chamber Size (c.c.)	2.4
Max. Volume (SPL)	76.34dB @1m

→ Microphone

Design	Built-in
Quantity	1
Sensitivity (dB)	-42
Tolerance (dB)	+/- 3

→ IO Ports

LED and Button	LED : Indicator x2 (Red/Green) Button : Reset Button
SD Card Slot	Micro-SD card support up to 1TB

➔ Others

Interface 8pin	UART_TX, UART_RX, GPIO_01, GPIO_02, GND, USB_DP, USB_DM, 5V
Power Adapter	Provided by luminaire (5V/2A)
Dimensions (H x W x D)	97 x 67 x 35 mm
Weight	120g

➔ Environment

Operating Temp	Day Mode : -20°C to 45°C Night Mode : -20°C to 35°C
Storage Temperature	-40°C to 70°C
IP Rating	IP54

➔ Ordering Information

Ordering Information	WiZ Camera Module : Outdoor IP Camera
----------------------	---------------------------------------

Important notes for design-in:

- 1) The WiZ camera module works only with WiZ V2 app.
- 2) The WiZ camera module should be powered with a Limited Power Supply (LPS) only according to UL IEC 62368 or equivalent. Please consult WiZ for more details if necessary.
- 3) It is the manufacturer's responsibility of end products to ensure the full compliance of the final integration applications (i.e end products).
- 4) Please clean the camera lens gently with a cotton cloth and avoid touching the lens with hands directly to ensure clear view.
- 5) Please regularly clean the dust on microphone and speaker to ensure 2-way audio quality.
- 6) The WiZ camera module does not provide third-party monitoring or emergency response. It is the user's responsibility to determinate the appropriate response.
- 7) The WiZ camera module is limited to a user's own, private residential use.
- 8) The user is responsible to comply with privacy and other applicable laws.



(WEEE dustbin logo and explanation) XXXXXXXXXX

Simplified EU Declaration of Conformity

Hereby, Signify declares that the radio equipment type WiZ camera module is in compliance with the Directive 2014/53/EU. The full text of the EU declaration of conformity is available at the following internet address: www.wizconnected.com.

Simplified UK Declaration of Conformity

Hereby, Signify declares that the radio equipment type WiZ camera module is in compliance with the Radio Equipment Regulations 2017 (S.I. 2017/1206). The full text of the UKCA declaration of conformity is available at the following internet address: www.wizconnected.com

FCC compliance statement

This device complies with part 15 of the FCC Rules. Operation is subject to the following two conditions: (1) This device may not cause harmful interference, and (2) this device must accept any interference received, including interference that may cause undesired operation.

NOTE: This equipment has been tested and found to comply with the limits for a Class B digital device, pursuant to Part 15 of the FCC Rules. These limits are designed to provide reasonable protection against harmful interference in a residential installation. This equipment generates, uses and can radiate radio frequency energy and, if not installed and used in accordance with the instructions, may cause harmful interference to radio communications.

However, there is no guarantee that interference will not occur in a particular installation. If this equipment does cause harmful interference to radio or television reception, which can be determined by turning the equipment off and on, the user is encouraged to try to correct the interference by one or more of the following measures:

- Reorient or relocate the receiving antenna.
- Increase the separation between the equipment and receiver.
- Connect the equipment into an outlet on a circuit different from that to which the receiver is connected.
- Consult the dealer or an experienced radio/TV technician for help.

Changes or modifications not expressly approved by the party responsible for compliance could void the user's authority to operate the equipment.

This device complies with FCC RF exposure limits set forth for an uncontrolled environment. This device should be installed and operated with minimum distance 20cm (8 inches) between the device and user body.

ISED compliance statement

This device complies with Innovation, Science and Economic Development Canada (ISED) licence-exempt RSS standard(s). Operation is subject to the following two conditions: (1) This device may not cause harmful interference, and (2) this device must accept any interference received, including interference that may cause undesired operation. This equipment complies with ISED radiation exposure limits set forth for an uncontrolled environment. This equipment should be installed and operated with minimum distance 20cm between the radiator and your body. This transmitter must not be co-located or operating in conjunction with any other antenna or transmitter.

Cet appareil est conforme à la ou aux normes RSS exemptées de licence pour Innovation, Science et développement économique Canada. Le fonctionnement est soumis aux deux conditions suivantes: (1) ce dispositif ne peut pas causer d'interférence nocive, et (2) ce dispositif doit accepter toute interférence reçue, y compris les interférences pouvant causer un fonctionnement indésirable. Cet équipement respecte les limites d'exposition aux rayonnements ionisants fixées pour un environnement non contrôlé. Cet équipement doit être installé et utilisé avec une distance minimale de 20cm entre le radiateur et votre corps. Cet émetteur ne doit pas être localisé ou fonctionner en conjonction avec une autre antenne ou un autre émetteur.