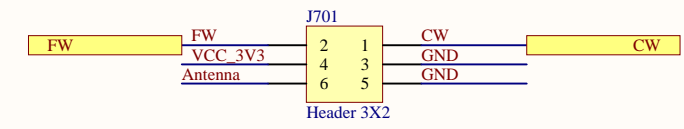
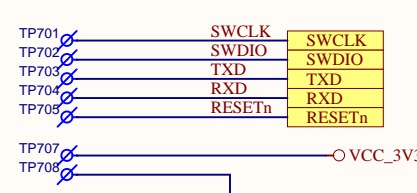
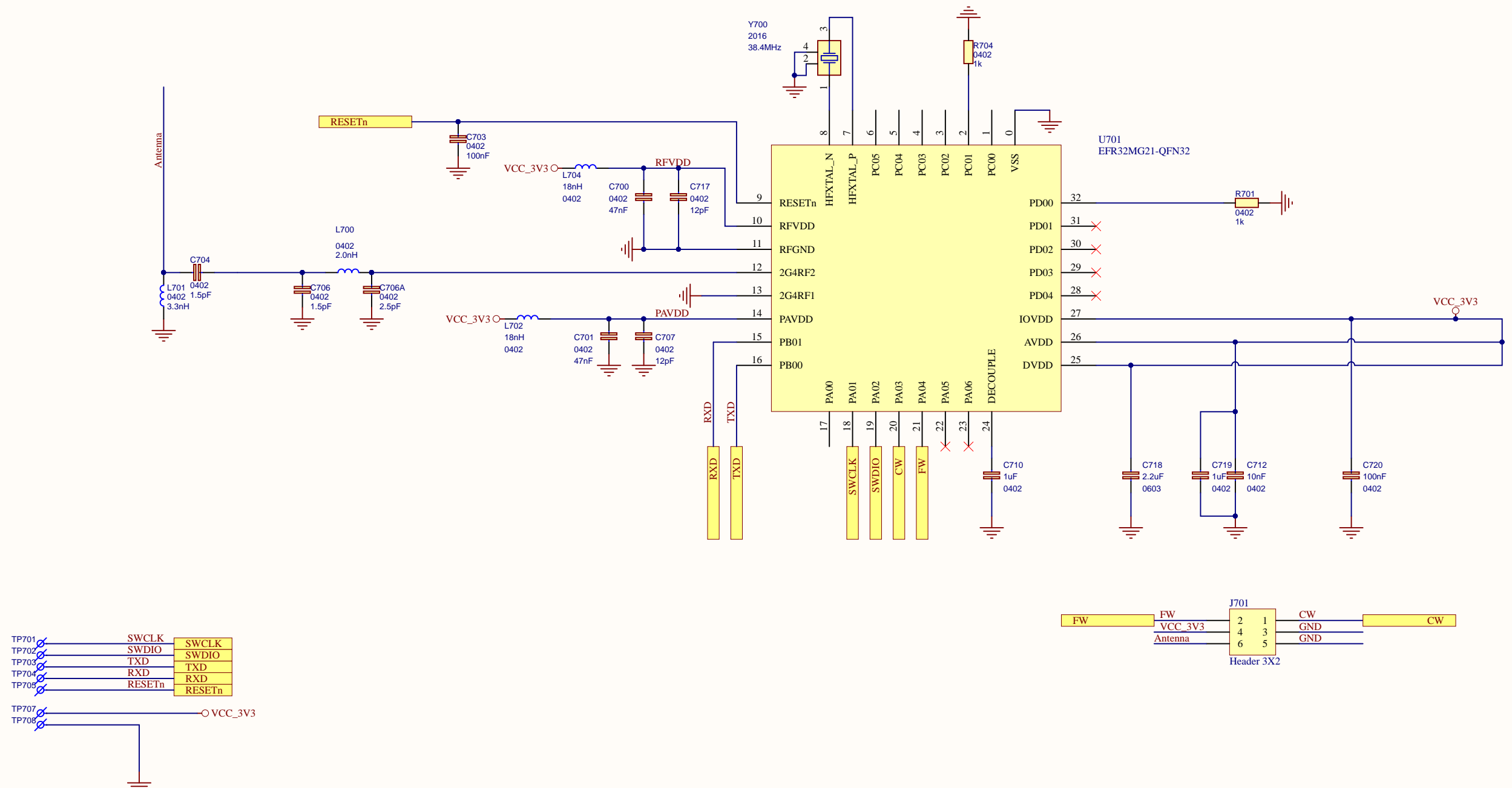


# Filament RF module



Title		
Size	Number	Revision
A3		
Date:	2020/8/28	Sheet of
File:	\\..4422.951.90501_01.schdoc	Drawn By: