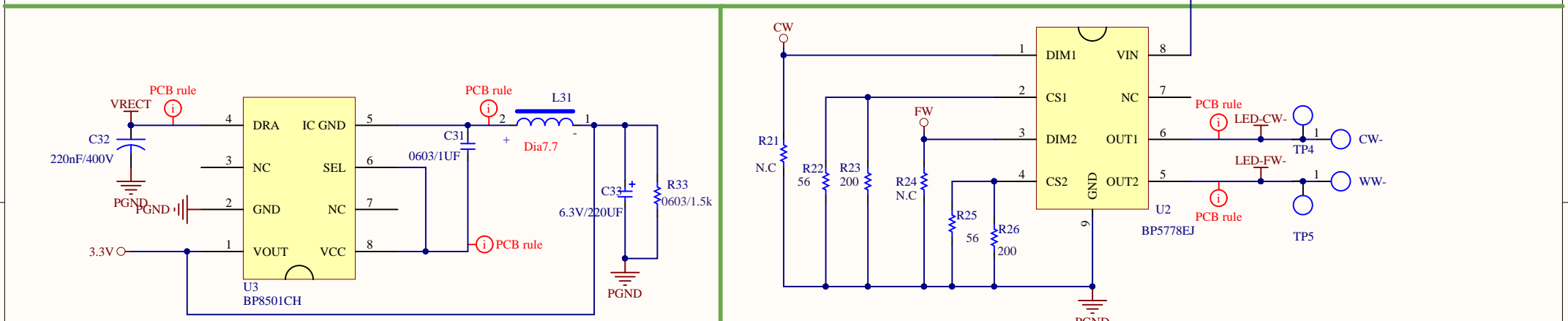
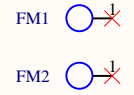
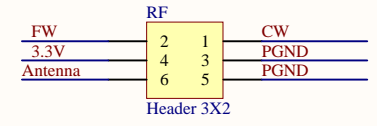
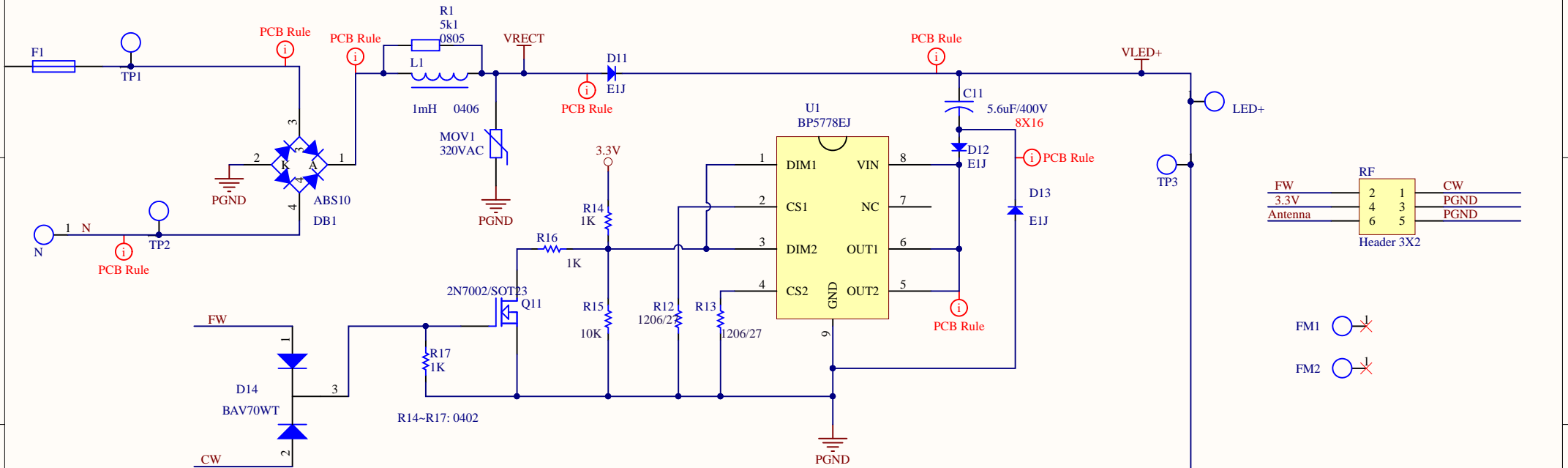


# Filament BP



Title		
Size	Number	Revision
A4		
Date:	2020/9/7	Sheet of
File:	\\..4422 951 90491_02.schdoc	Drawn By: