

Request for Class II Permissive Change

FCC ID: 2AGBW 9290024696X

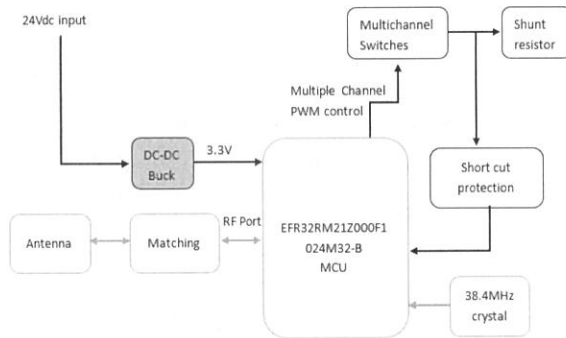
Date: September 1, 2021

TO: Federal Communication Commission

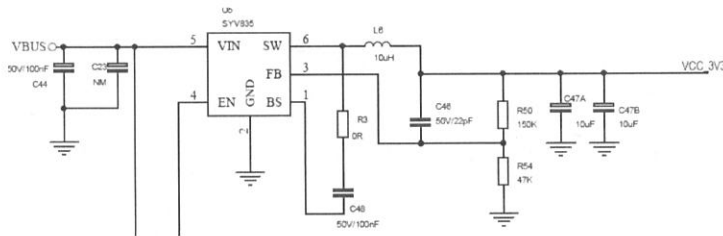
This is to request for Class II permissive change for FCC ID: 2AGBW 9290024696X
Originally granted on 02/19/2021.

This application is based on:

1. Add DC-DC Buck chip



2. Change Schematics



Signature:

By: Yefeng Zhang

Title: Approbation Group Manager

Company: Signify (China) Investment Co., Ltd.

Telephone: +86-21-24128779

e-mail: yefeng.zhang@signify.com