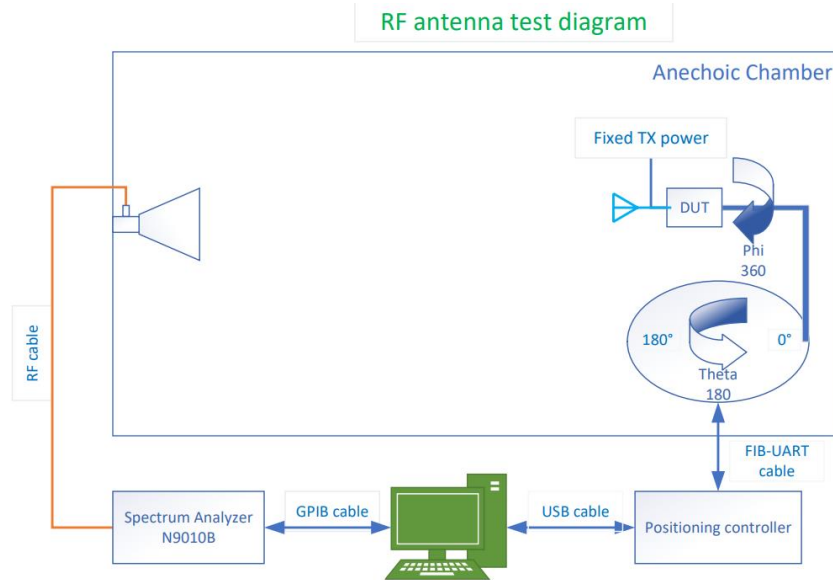
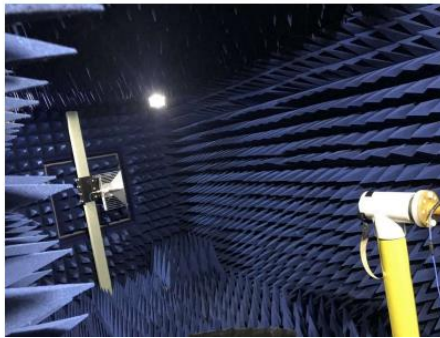


1. Antenna test environment and procedure

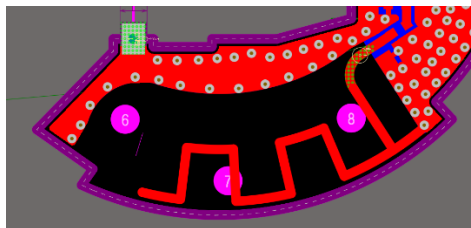


Test Block diagram



OTA Anechoic Chamber and Its control equipment

2. Antenna model



PIFA antenna

3. Antenna gain

The gain of horn antenna is tested, the Gain of antenna is calculated by comparing with tested horn antenna.

4. RF and antenna specification sheet

Frequency Range 频率范围: 2400MHz – 2483.5MHz	DATA Rate 传输速率 Zigbee:250kbps Bluetooth 5.1: 1Mbps, 2Mbps, 500kbps,125kbps
Channel No. 频道数: Zigbee: 11 channels (Mainly:2405MHz; 2425MHz; 2450MHz; 2475MHz; 2480MHz) Bluetooth: 40 channels (2402MHz-2480MHz, Channel spacing: 2MHz)	Modulation type 调制方式: Zigbee: 16-ary orthogonal modulation, O-QPSK PHY Bluetooth: GFSK PHY
Max. Output Power 最大输出功率: +10dBm (Chip max RF output power)	Operating Temperature 工作温度: -20 -- +100 °C ambient
Antenna Gain 天线增益: -0.17dBi(peak)	Antenna Brand & Model 天线商标&型号: PIFA antenna

2D

