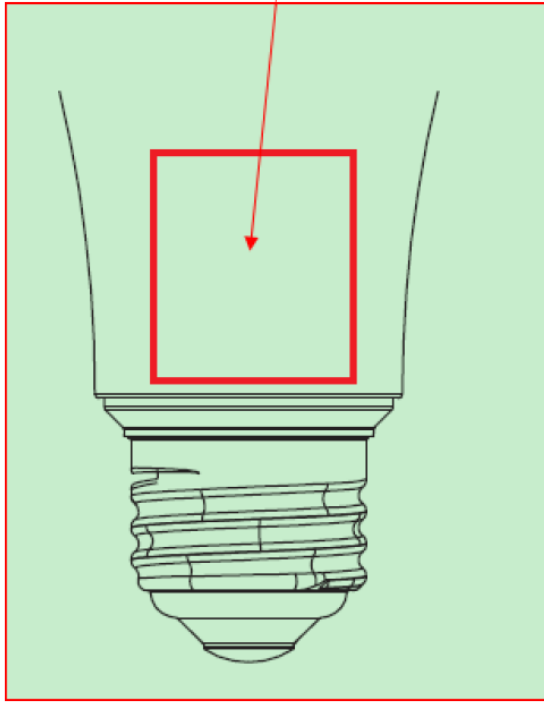


Regulatory Label and Location

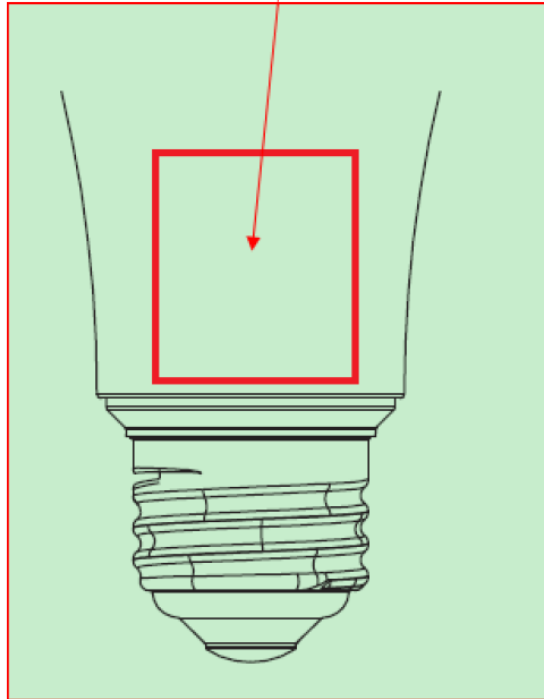
Model No.: 9290012575B
FCC ID: 2AGBW9290012575BX
IC: 20812-2575BX
Made in China



The label is indicated in exterior of the device and it is always visible without using any tool.

Regulatory Label and Location

Model No.: 9290011998C
FCC ID: 2AGBW9290011998CX
IC: 20812-1998CX
Made in China



The label is indicated in exterior of the device and it is always visible without using any tool.