

## Request for Class II Permissive Change

FCC ID: 2GABW 9290012575AX

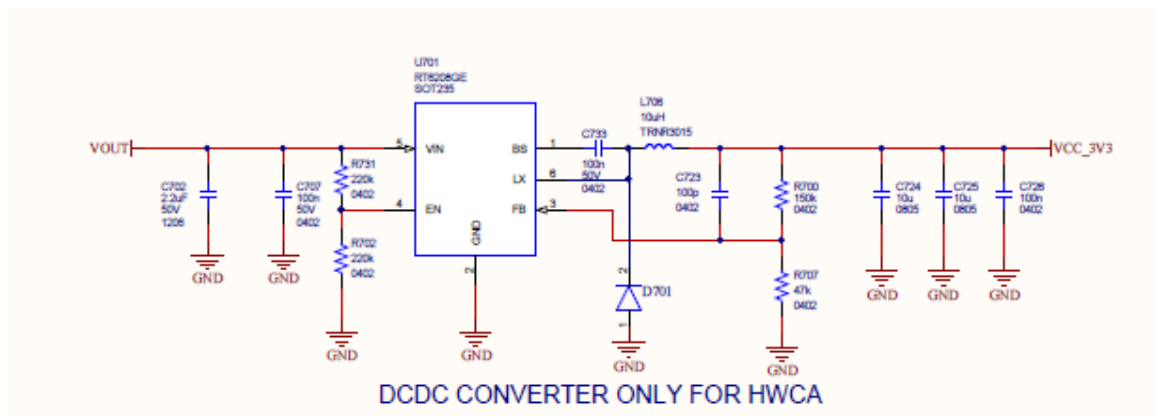
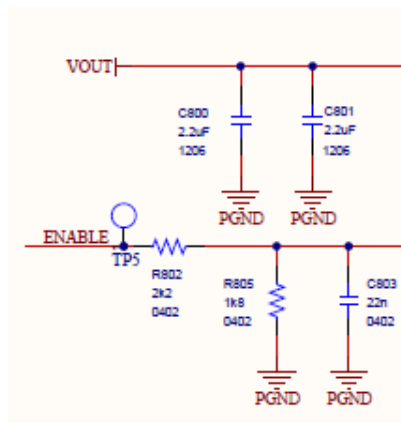
Date: 2017/9/19

TO: Federal Communication Commission

This is to request for Class II permissive change for FCC ID: 2GABW 9290012575AX originally granted on 04/20/2017.

This application is based on:

Change the capacity of filter capacitor from 4.7uF to 2.2uF  
(Two on drive PCB, one RF PCB)

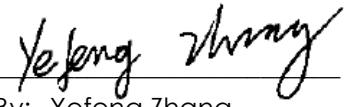


Signature:

# Philips Lighting(China) Investment Co.,Ltd.

Building 9,Lane 888,Tianlin Road,Minhang district, Shanghai, China

---



By: Yefeng Zhang

Title:Approbation engineer

Company: Philips Lighting(China) Investment Co.,Ltd.

Telephone: +86-21-24128779

e-mail: yefeng.zhang@philips.com