

## Request for Class II Permissive Change

FCC ID: 2AGBW9290011369BX

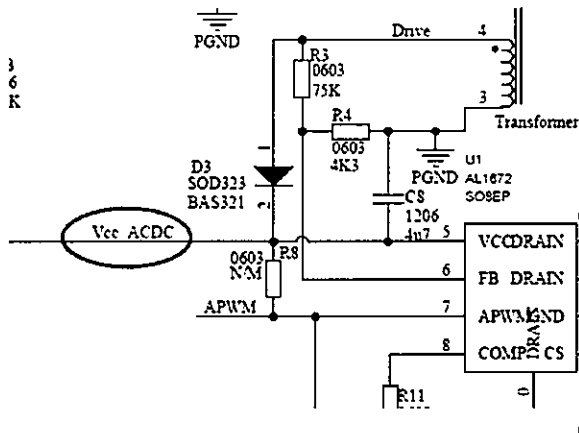
Date: 2017/05/05

TO: Federal Communication Commission

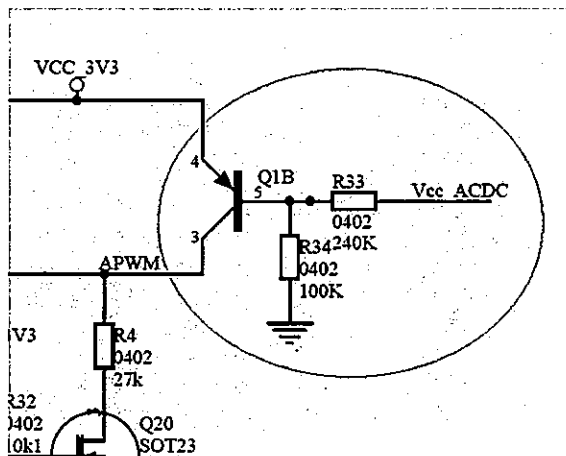
This is to request for Class II permissive change for FCC ID: 2AGBW9290011369BX originally granted on 26/02/2017.

This application is based on:

1. Add two manufacturers for PCB
2. Add feedback circuit in AC/DC, connect IC VCC to ACDC. And it doesn't interference with input current and power



3. Add feedback circuit in RF board to limit the min. of VCC, see blue circuit.



# Philips Lighting(China) Investment Co.,Ltd.

Building 9,Lane 888,Tianlin Road,Minhang district, Shanghai, China

---

4. There is not any change in RF parameters (antenna, software, firmware and hardware versions, power, frequency ranges, etc.).

Signature:

*Yefeng Zhang*

Yefeng Zhang / Compliance Engineer  
Philips Lighting(China) Investment Co.,Ltd.