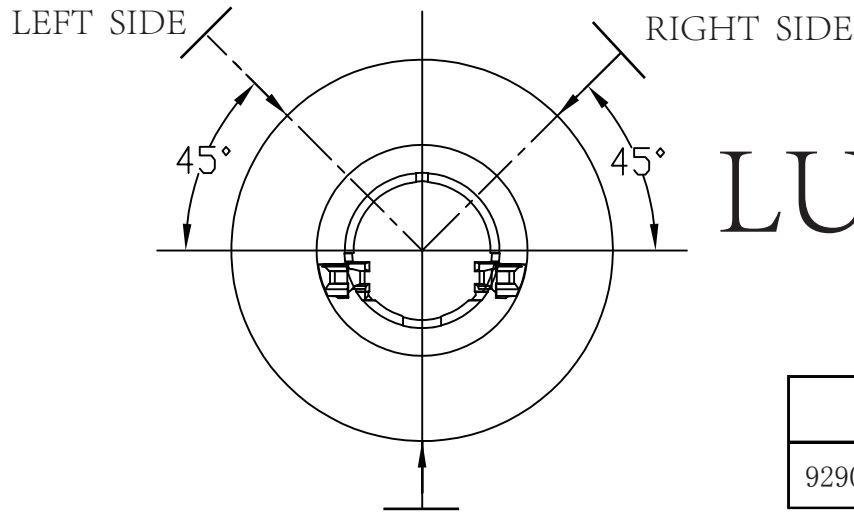


**PHILIPS**  
Hue white

840 Lumen  
Hue white A19 9W 81mA  
110-130Vac 50/60Hz  
FCC ID:2AGBW9290011369AX  
IC:20812-1369AX  
Model:9290011369A  
Made in China

CAUTION  
DO NOT USE WITH DIMMERS  
SUITABLE FOR USE IN OPEN DEVICES ONLY  
SUITABLE FOR DAMP LOCATIONS  
ATTENTION  
NE PAS UTILISER AVEC DES GRADATEURS  
UTILISER UNIQUEMENT DANS  
UN LUMINAIRE OUVERT  
CONVIENT AUX EMPLACEMENTS HUMIDES  
Serial No.:



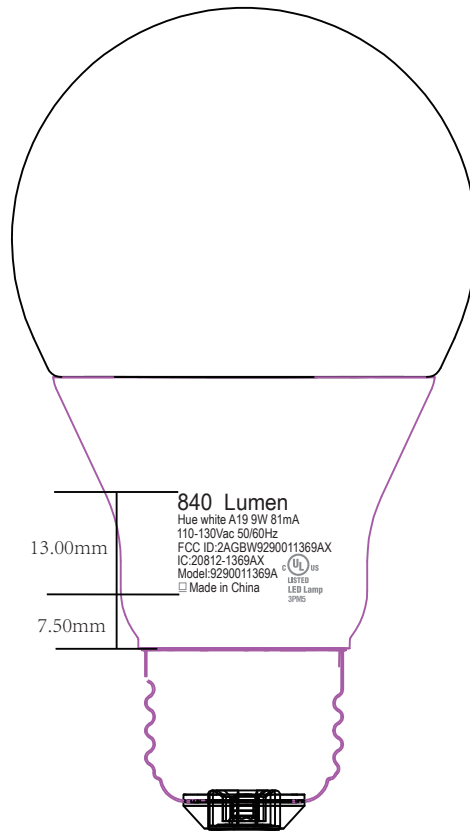
# LUX V3 LAMP MARK

10NC	HT P/N	Description
9290011369A	660-HBLB001-00R3	LAMP HUE LUX V3 NAM 2700K PLL HBLB

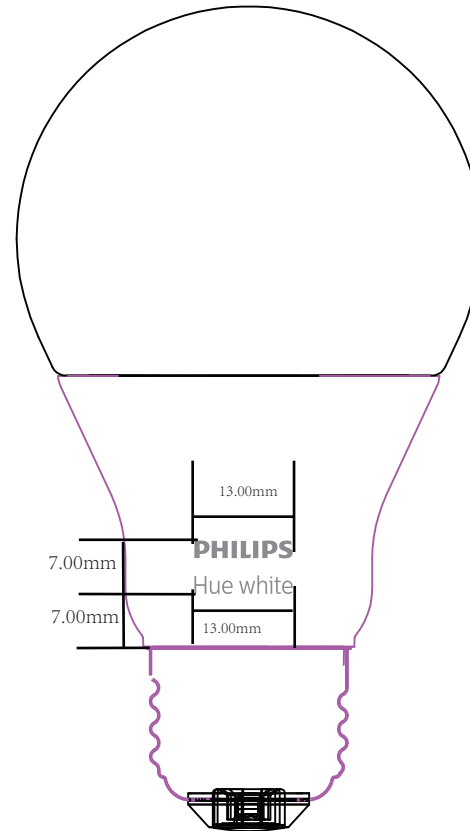
FRONT SIDE : PHILIPS LOGO

500-HBLB001-00R3  
MATERIAL:PC/LEXAN  
Shell color:  
PHILIPS logo color:Pan tone 877C Silver  
Printing color:Pan tone 877C Silver

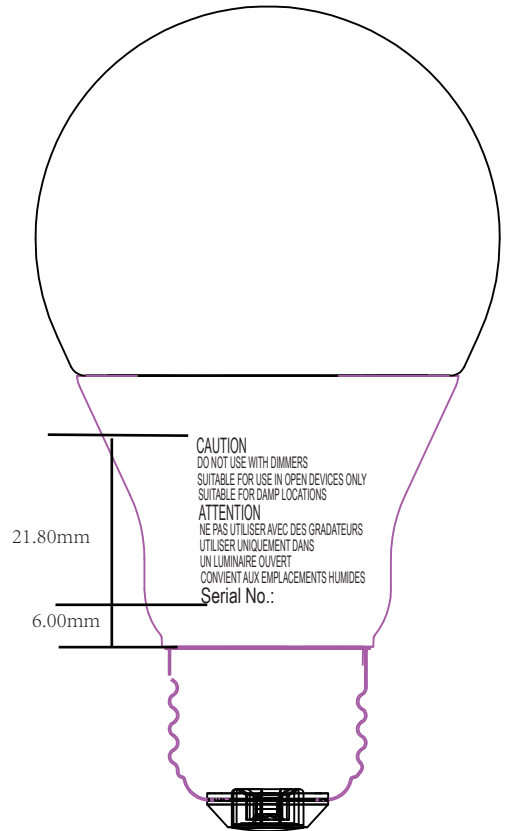
Prepared by	
Checked by	
Approved by	
Version	
Date	160129
Page	1 of 2



LEFT SIDE



FRONT SIDE



RIGHT SIDE

500-HBLB001-00R3

**PHILIPS**

Hue white

**840 Lumen**

Hue white A19 9W 81mA  
110-130Vac 50/60Hz  
FCC ID: 2AGBW9290011369AX  
IC: 20812-1369ASX  
Model: 9290011369A   
Made in China 

**CAUTION**

DO NOT USE WITH DIMMERS  
SUITABLE FOR USE IN OPEN DEVICES ONLY  
SUITABLE FOR DAMP LOCATIONS

**ATTENTION**

NE PAS UTILISER AVEC DES GRADATEURS  
UTILISER UNIQUEMENT DANS  
UN LUMINAIRE OUVERT  
CONVIENT AUX EMPLACEMENTS HUMIDES

Serial No.: