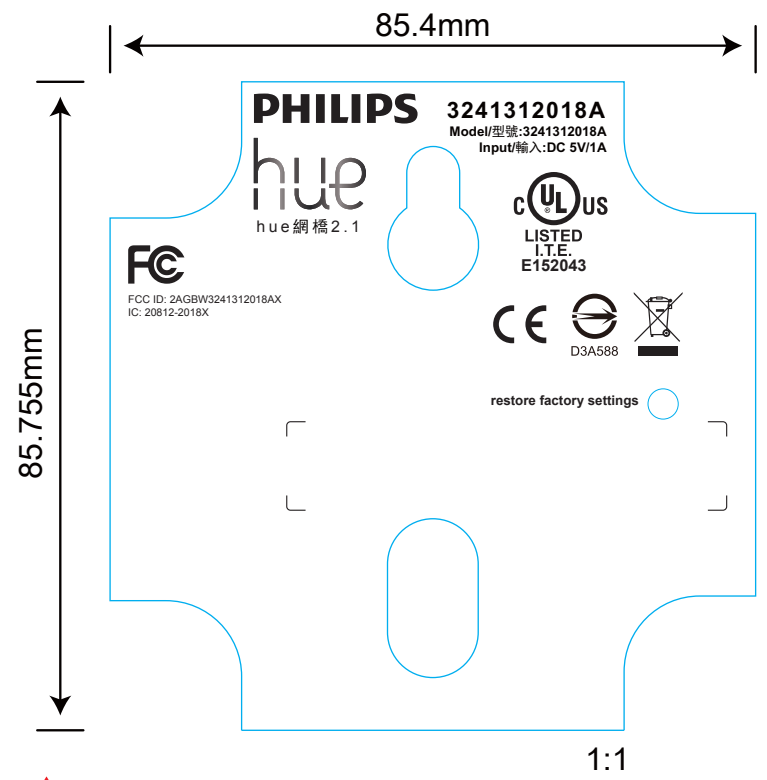
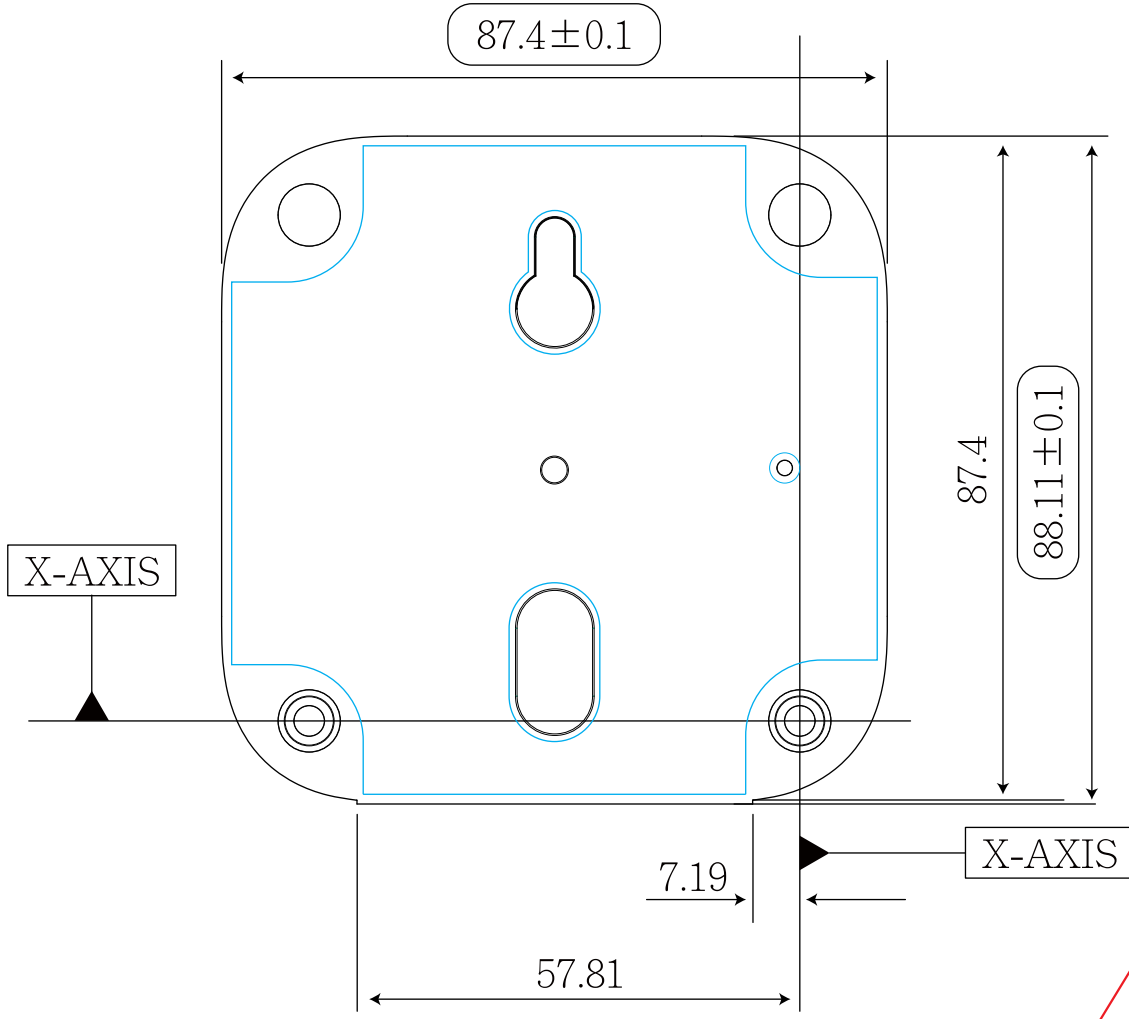


印製廠商及印製材質，需經過UL認證，
並請印製廠商提出UL認證之材質證明。



! 不得含有
WI-QES-002
要求禁用之有毒, 有害物質

(Customer/客戶): Philips
 (Material/材質): 50μ Polyester Film White Matt Label with Depressive Liner
 50#白色特多龍 / 壓花底背膠
 (Glaze/上光方式): PP
 (Color/顏色): LABEL Color:RAL9003
 Print/印刷色:BLACK
 (Demension/尺寸): 85.4 x 85.755mm
 (Tolerance/公差): +-0.2mm

LIMITS UNLESS OTHERWISE NOTED	
X. +-	X.° +-
.X +-	.X° +-
.XX +-	.XX° +-
.XXX +-	.XXX° +-

A4	UNIT	SCALE	SHEET	MODEL No.	CO0307QC-L Philips		
	MM	NON	1(1)	PART NAME	product label		
APPROVED	CHECKED	DESIGNED	PART No.	509110144827	REV	A3	
			蔣浩月 HAUYUEJIANG 2016.05.31		LITEON 光寶科技股份有限公司 LITE-ON TECHNOLOGY CORP.		