

# PHILIPS

ASB LowB -  
TPArr - ILB/POE

SC2000



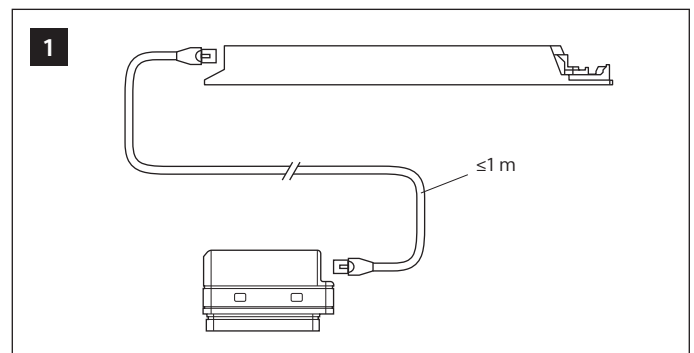
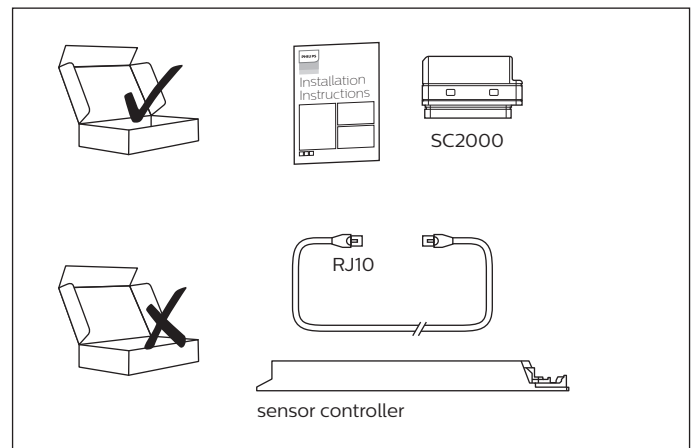
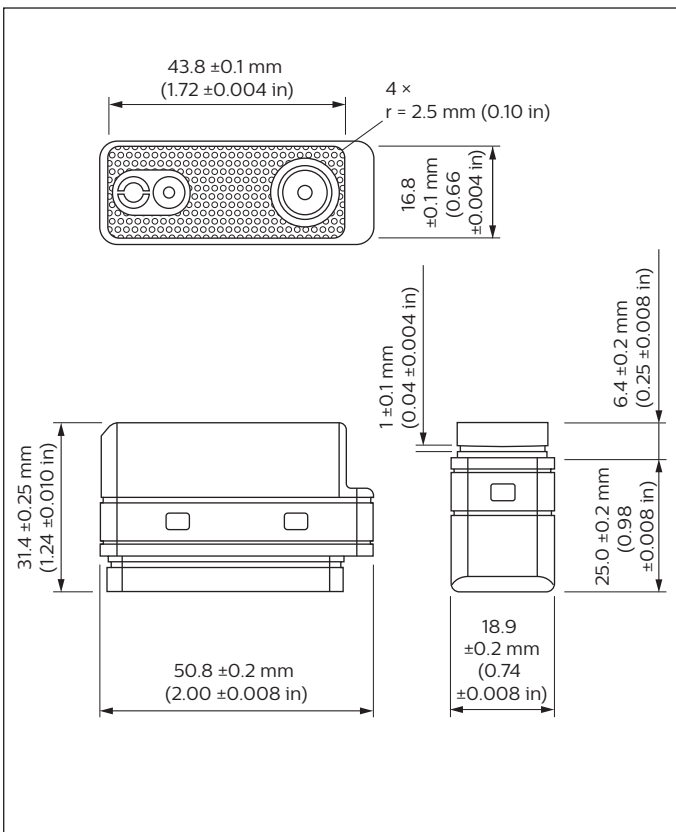
# Installation Instructions

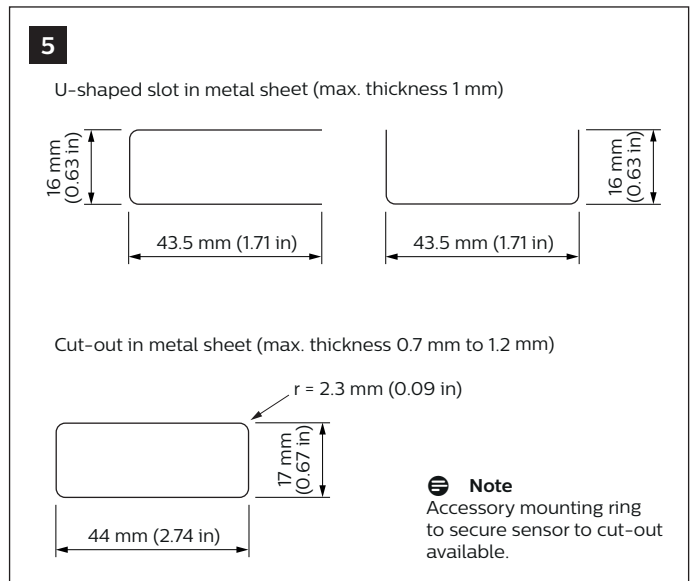
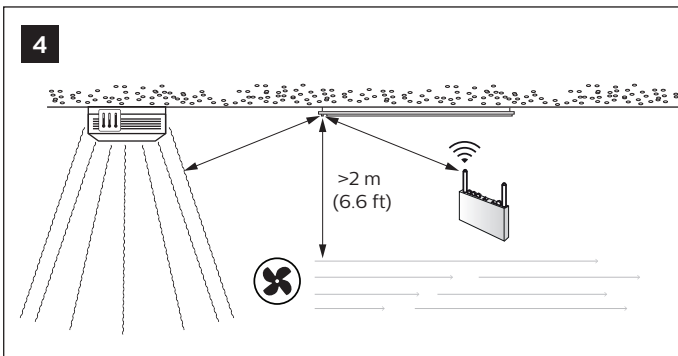
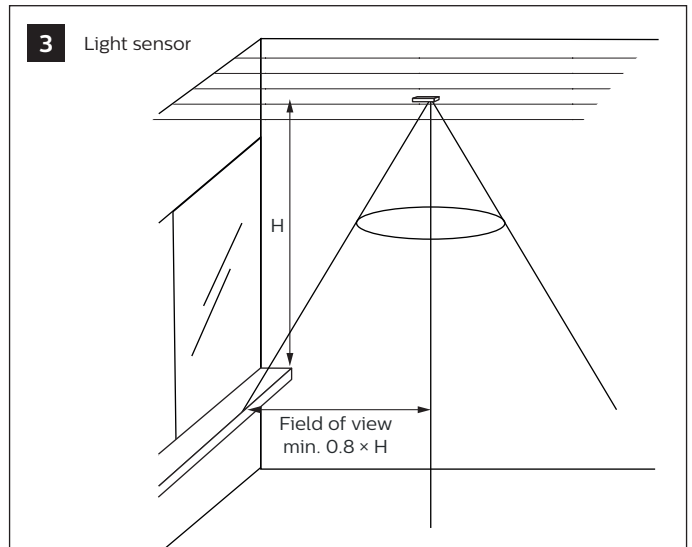
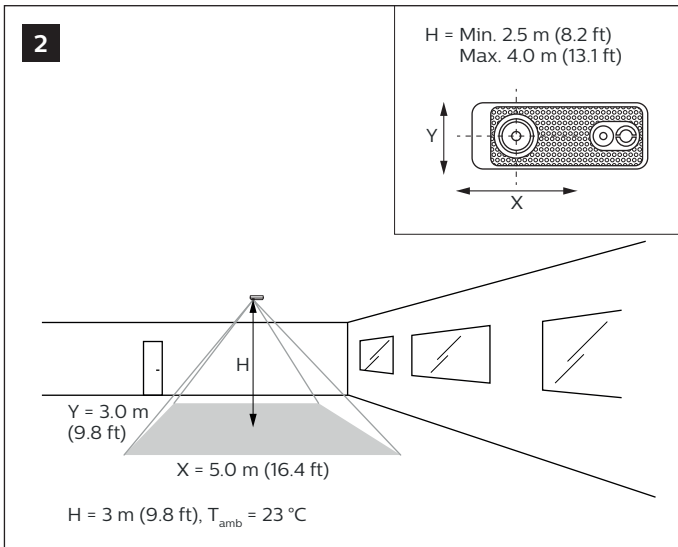
Instructions d'installation  
Instrucciones de instalación

Istruzioni per l'installazione  
Installatie-instructies

Installationsanweisungen  
インストール手順

安装指示书  
إرشادات التركيب





**(EN)** FCC/IC compliance statement  
This device complies with part 15 of the FCC rules for the United States and Industry Canada (IC) license-exempt RSS standard(s). Operation is subject to the following two conditions: (1) This device may not cause harmful interference, and (2) this device must accept any interference received, including interference that may cause undesired operation. Any changes or modifications not expressly approved by Signify could void the user's authority to operate this equipment. This product is intended for commercial use only.

**FCC Radiation Exposure Statement**

This equipment complies with FCC radiation exposure limits set forth for an uncontrolled environment.

This equipment must be installed and operated with a minimum distance 200 mm between the radiator and your body.

**IC Radiation Exposure Statement**

This equipment complies with IC RSS-102 radiation exposure limits set forth for an uncontrolled environment.

This equipment must be installed and operated with a minimum distance 200 mm between the radiator and your body.

**FCC statement:** This equipment has been tested and found to comply with the limits for a Class A digital device, pursuant to part 15 of the FCC Rules. These limits are designed to provide reasonable protection against harmful interference when the equipment is operated in a commercial environment. This equipment generates, uses, and can radiate radio frequency energy and, if not installed and used in accordance with the instruction manual, may cause harmful interference to radio communications. Operation of this equipment in a residential area is likely to cause harmful interference in which case the user will be required to correct the interference at his own expense.

**RF Exposure Information**

This device meets the EU requirements (2014/53/EU) on the limitation of exposure of the general public to electromagnetic fields by way of health protection. The device complies with RF specifications when the device used at 321 mm from your body.

Hereby, Signify declares that the radio equipment type SC2000 is in compliance with Directive 2014/53/EU. The full text of the EU declaration of conformity is available at the following Internet address: <http://www.philips.com/red>

**(E)** Notes

- This device is suitable for plenum use.
- Must be powered by class 2 energy limited source for NA region or SELV for EU region.
- Do not use damaged products
- Type 1 Action

**(FR)** DÉCLARATION DE CONFORMITÉ À LA FCC/IC

Ce dispositif est conforme à la partie 15 des règles de la Federal Communications Commission (FCC) des États-Unis et d'Industrie Canada (IC) exempts de licence RSS norme(s). Son fonctionnement est assujéti aux deux conditions suivantes: (1) Ce dispositif ne doit pas provoquer de brouillage préjudiciable, et (2) il doit accepter tout brouillage reçu, y compris le brouillage pouvant entraîner un mauvais fonctionnement. Tous les changements ou modifications non expressément approuvés par Signify, sont susceptibles d'annuler le droit de l'utilisateur à se servir de cet équipement. Ce produit est exclusivement destiné à un usage commercial.

Cet équipement est conforme aux limites d'exposition aux rayonnements IC établies pour un environnement non contrôlé. Cet équipement doit être installé et utilisé avec un minimum de 200 mm de distance entre la source de rayonnement et votre corps.

