

# PHILIPS

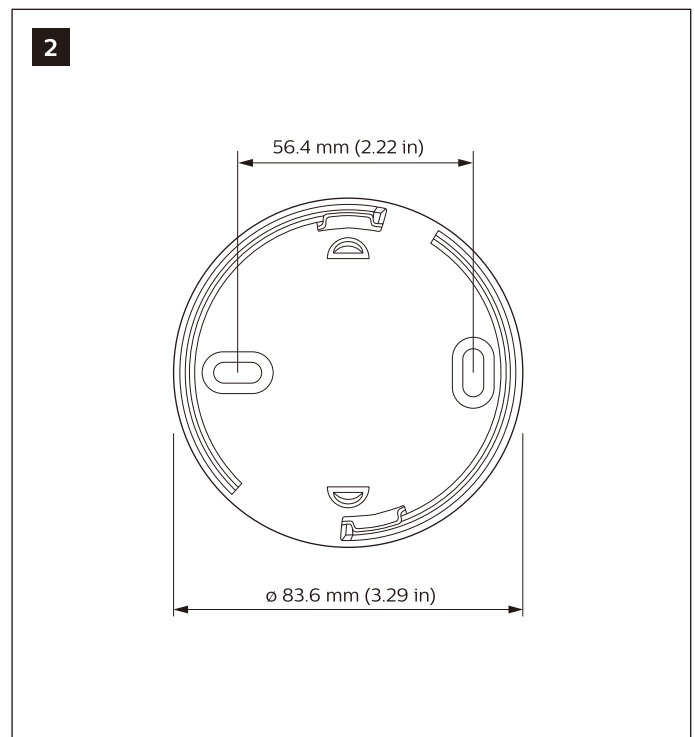
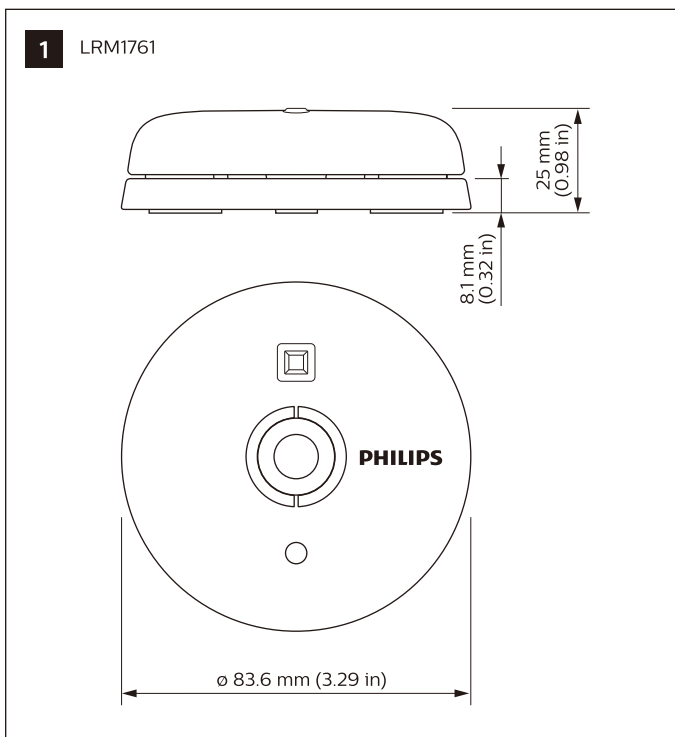
OccuSwitch  
Wireless Multi Sensor

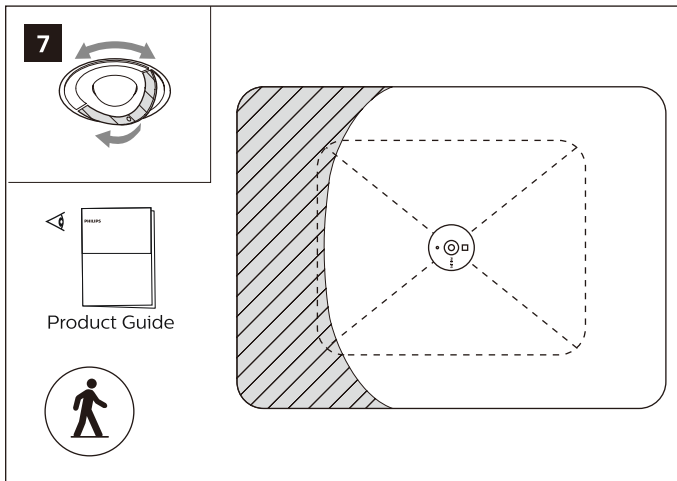
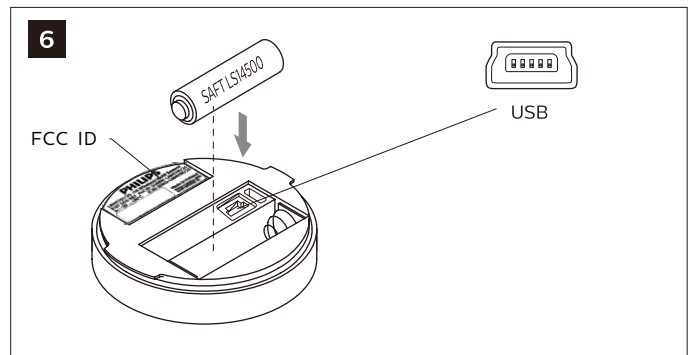
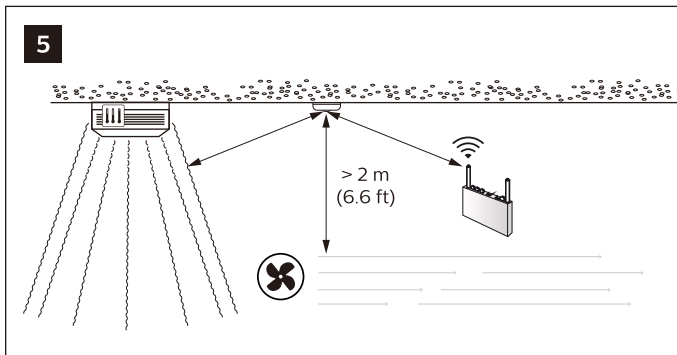
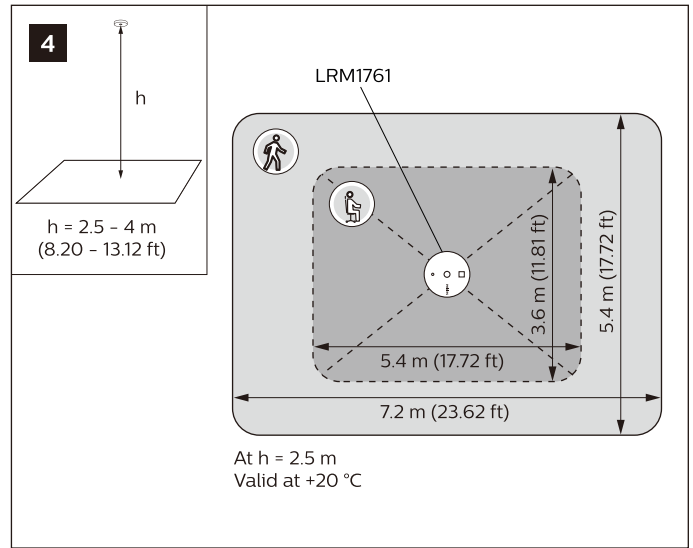
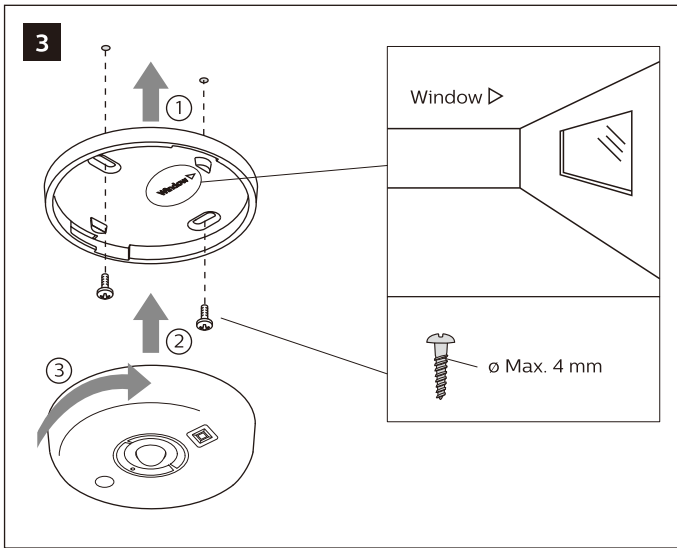
LRM1761



## Installation Instructions

Instructions d'installation    Installationsanweisungen    Instrucciones de instalación  
Istruzioni per l'installazione    Installatie-instructies    インストール手順    安装指示





**(EN) FCC/IC compliance statement**  
 This device complies with part 15 of the FCC rules for the United States and Industry Canada (IC) license-exempt RSS standard(s). Operation is subject to the following two conditions: (1) This device may not cause harmful interference, and (2) this device must accept any interference received, including interference that may cause undesired operation. Any changes or modifications not expressly approved by Philips could void the user's authority to operate this equipment. This product is intended for commercial use only.

**FCC Radiation Exposure Statement**  
 This equipment complies with FCC radiation exposure limits set forth for an uncontrolled environment. This equipment should be installed and operated with minimum distance 20 cm between the radiator & your body.

**IC Radiation Exposure Statement**  
 This equipment complies with IC RSS-102 radiation exposure limits set forth for an uncontrolled environment. This equipment should be installed and operated with minimum distance 20 cm between the radiator & your body.

**RF Exposure Information**  
 This device meets the EU requirements (1999/519/EC) on the limitation of exposure of the general public to electromagnetic fields by way of health protection. The device complies with RF specifications when the device used at 32.11 cm from your body.

Hereby, Philips Lighting declares that the radio equipment type LRM1761 is in compliance with Directive 2014/53/EU. The full text of the EU declaration of conformity is available at the following Internet address:  
<http://www.lighting.philips.com/main/products/lighting-controls/red>

**(FR) DÉCLARATION DE CONFORMITÉ À LA FCC/IC**  
 Ce dispositif est conforme à la partie 15 des règles de la Federal Communications Commission (FCC) des États-Unis et d'Industrie Canada (IC) exempts de licence RSS norme(s). Son fonctionnement est assujéti aux deux conditions suivantes: (1) Ce dispositif ne doit pas provoquer de brouillage préjudiciable, et (2) il doit accepter tout brouillage reçu, y compris le brouillage pouvant entraîner un mauvais fonctionnement. Tous les changements ou modifications non expressément approuvés par Philips, sont susceptibles d'annuler le droit de l'utilisateur à se servir de cet équipement. Ce produit est exclusivement destiné à un usage commercial.

Cet équipement est conforme aux limites d'exposition aux rayonnements IC établies pour un environnement non contrôlé. Cet équipement doit être installé et utilisé avec un minimum de 20cm de distance entre la source de rayonnement et votre corps.

