

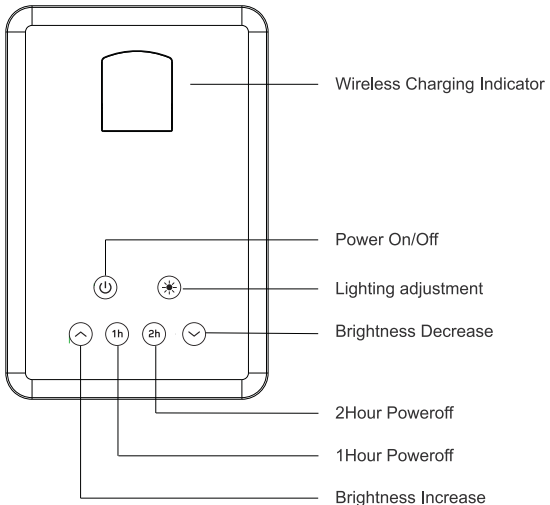
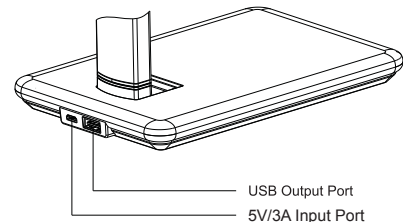
Lamp wireless charger
TYV-1764

User Manual

Introduction

Wireless charging desk lamp is an intelligent product. Simply designed, it use LED source which the most advanced lighting-tech with uniform and soft, high efficiency and CRI, advanced constant current and flicker-free to protect your eyes. With 135° rotating head and 90° arm, the lamp is able to reach almost every position you can imagine. Also, it has built-in wireless charger which's compatible with any Qi-standard phones and devices. Besides, it is integrated with USB output function which makes charging much easier. Now enjoy a simple and free life with this multi-functional desk lamp !

Outline



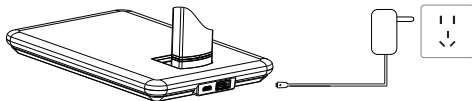
Wireless Charging Applicable Devices

- 1.Devices with built-in wireless charging receiver (Samsung S6,Nokia 1520,LG,Nexus5)
- 2.Devices with reserved wireless charging interface beside its battery (Samsung Galaxy S3, S4, S5, Note2, Note3, Note4, etc).
- 3.Devices with wireless charging receiver in its protection case (iphone5/5s,iphone6, iPhone6 plus, etc).

Note: All devices must be Qi standard.

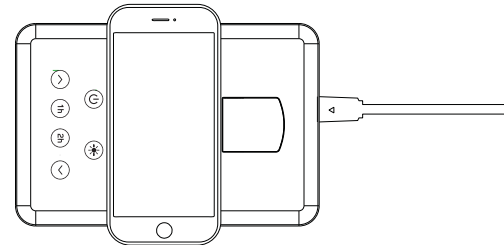
How to Use

1. Put the Micro USB port into the power input of the desk lamp(as below).

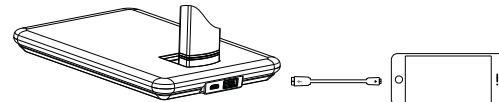


2. Refer to the functions of each button in previous page(Outline) to use the lamp. Short press is required to adjust the functions except that brightness increase and decrease need long press.

- 3.When using the wireless charging function, place phones with Qi receiver onto the wireless charging area.At this time,the wireless charging indicator turns on and flicker to indicate that wireless charging works properly. The indicator turns off after the phone is removed.



4. To charge a digital device, use a piece of charging cable to connect the USB output port of desk lamp with the charging port of the device (see below).



Accessories

- Wireless Charging Desk Lamp
- User Manual
- USB charging cable

Specifications

Lamp's Input:	5V/3A
Lamp's Power:	5W
Wireless Charging Power:	5W
Wired Charging Power:	2.5W
Efficiency:	≥70%
Transfer Distance:	≥8mm
Lumen:	800 LM
Led Qty:	54 pcs
Led Longevity:	50000hrs
Color Temperature:	2700K-6500K
Dimension:	18*12*40cm

Notes

- 1.To ensure using effect, please use an DC 5V/3A adaptor and good quality cable.
- 2.Among three functions of wireless charging, USB output and desk lamp. Only two functions can be used at same time.
- 3.Please keep it away from water or other liquid.
- 4.Power off the item before it is cleaned.
- 5.Keep the working temperature at 0-45 °C.

FCC Warning Statement

Changes or modifications not expressly approved by the party responsible for compliance could void the user's authority to operate the equipment. This equipment has been tested and found to comply with the limits for a Class B digital device, pursuant to Part 15 of the FCC Rules. These limits are designed to provide reasonable protection against harmful interference in a residential installation. This equipment generates uses and can radiate radio frequency energy and, if not installed and used in accordance with the instructions, may cause harmful interference to radio communications.

However, there is no guarantee that interference will not occur in a particular installation. If this equipment does cause harmful interference to radio or television reception, which can be determined by turning the equipment off and on, the user is encouraged to try to correct the interference by one or more of the following measures:

- - Reorient or relocate the receiving antenna.
- - Increase the separation between the equipment and receiver.
- - Connect the equipment into an outlet on a circuit different from that to which the receiver is connected.
- - Consult the dealer or an experienced radio/TV technician for help.

RF Exposure: A distance of 15 cm shall be maintained between the antenna and users, and the transmitter may not be co-located with any other transmitter or antenna.