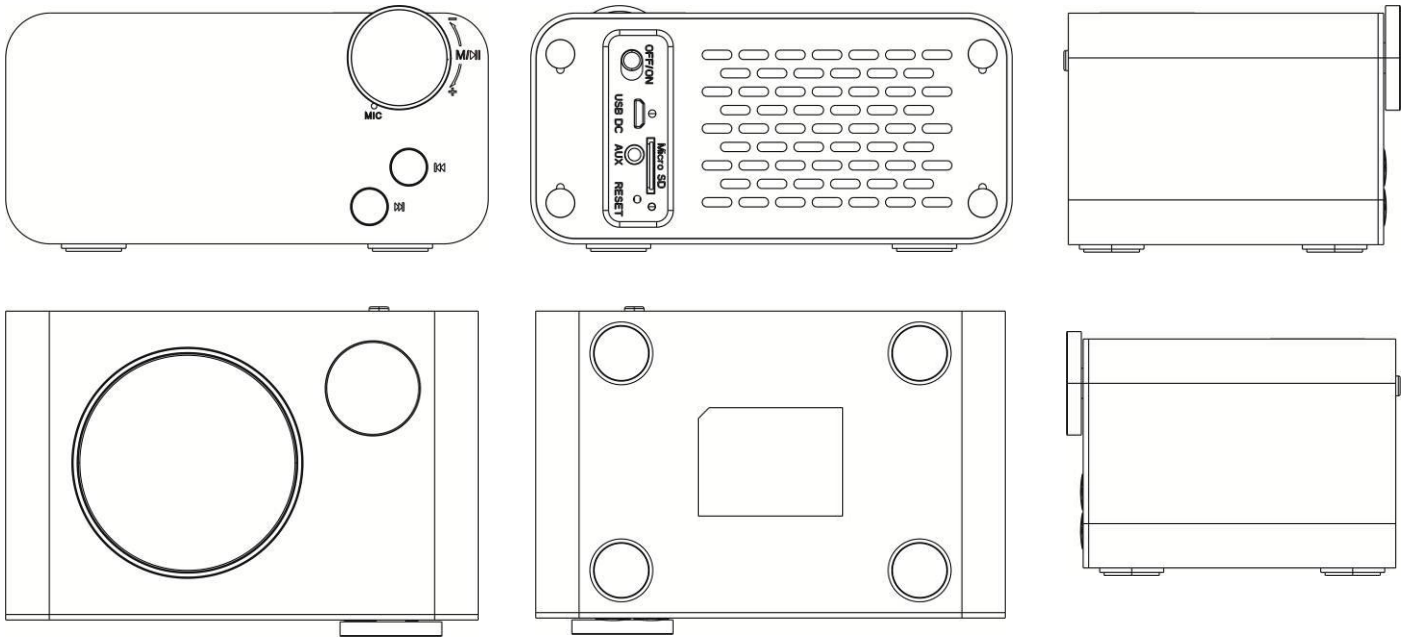


【PRODUCT APPEARANCE】



【FRONT CONTROL PANEL】

ONE 360 degrees KNOB

1. MODE FUNCTION
2. VOLUME FUNCTION
3. RETURN FUNCTION

KEYS&RECEIVING PORT

1. "M" KEY
2. "M" KEY
3. "MIC" Receiving Port

【TOP CONTROL PANEL】

ONE TOUCH

1. "Speaker mesh" KEY Touch "Speaker mesh" to turn the night light on/off.

【BACK CONTROL PANEL】

ONE SWITCH

1. "SWITCH OFF/ON" Switch

ONE KEY

1. Reset KEY

THREE SOCKETS

1. USB DC 5.0V Socket
2. AUX (Line IN) Socket
3. Micro SD (TF CARD) Socket

【DEVICE POWER SUPPLY】

1. USB DC 5V 1A power supply
2. Build-in 3.7V 2000mAHr Lithium Battery power supply

Charging

- a. Charging Lithium Battery to connect USB cable with speaker, red LED indicator on.

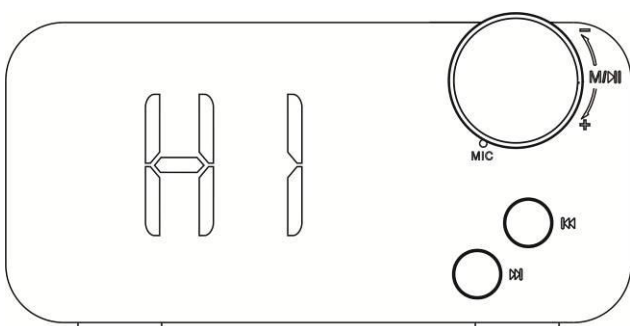
After 2 hours, it reaches to full capacity green LED indicator on.

- b. If speaker doesn't use within two and three months in avoid of battery over discharge or battery leakage problems ,please charge Lithium Battery before using.

3. Battery Capacity power indicator show (When it shows 10% , please charge the device)

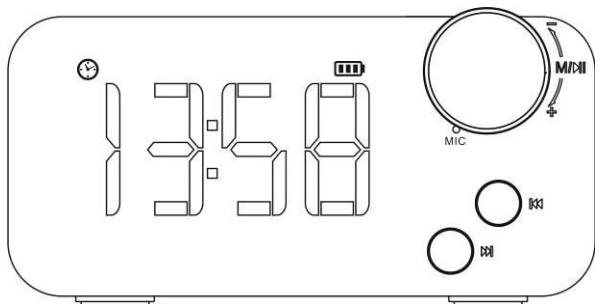


【FEATURE】



Switch button to ON. LED display show HI to enter Clock mode

【CLOCK MODE】

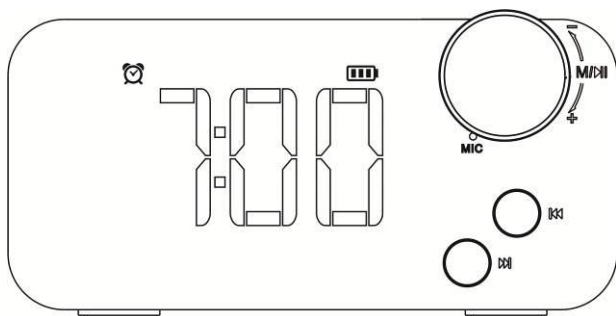


Rotate “**KNOB**” to select Clock ICON and press “**KNOB**” to enter Clock mode.

Press “**⏪**” or “**⏩**” key to show time format from 12 to 24 hour or 24 to 12 hour

Press “**KNOB**” key to enter the setting of Clock mode. Press “**KNOB**” key to select the flashing digits in sequence year/month/date/hour/minute and Rotate “**KNOB**” to adjust the digits (year/month/date/hour/minute). Press “**KNOB**” key to confirm the setting.

【ALARM MODE】



Rotate “**KNOB**” to select ALARM ICON and press “**KNOB**” to enter ALARM mode.

Press “**KNOB**” key to enter the setting of Alarm mode.

Press “**KNOB**” key to select the flashing digits in sequence hour/minute and Rotate “**KNOB**” to adjust the digits (hour/minute).

Press “**KNOB**” key to confirm the setting and enter the setting of Alarm sound.

Rotate “**KNOB**” key to select alarm sound in sequence bb , rA .
(bb stands for “Bird sound “ / “MP3 file inside TF card” ,rA stands for “FM Radio station”)

* If use MP3 file inside TF card for alarm sound , the user make directory as Alarm and store one MP3 file inside the alarm directory. Then insert TF card the speaker

Press “**KNOB**” key to confirm the setting and enter the setting of alarm alert status.

Rotate “**KNOB**” key to set alarm alert status in sequence OFF/ON.

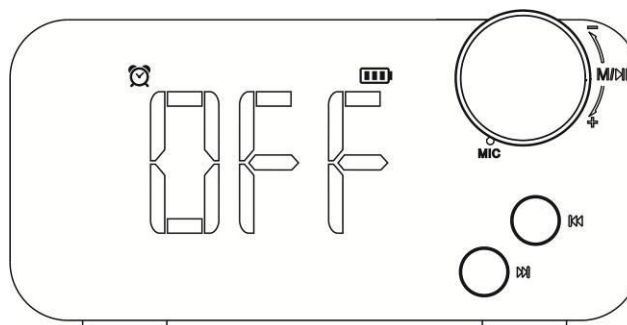
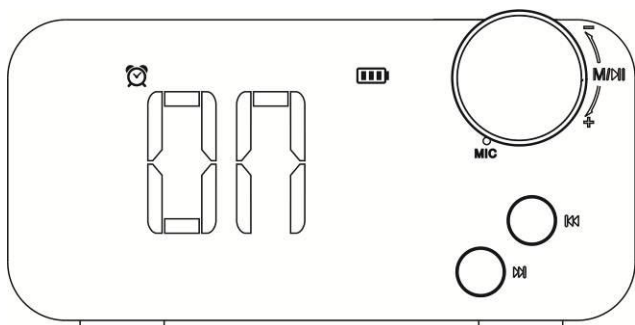
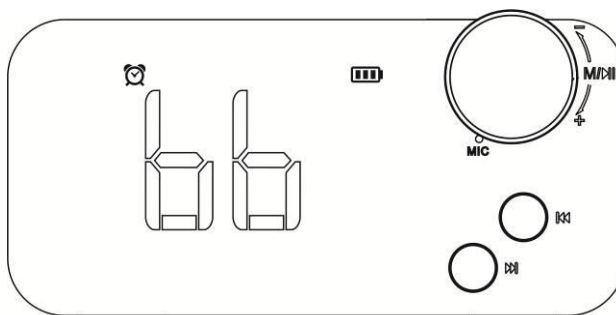
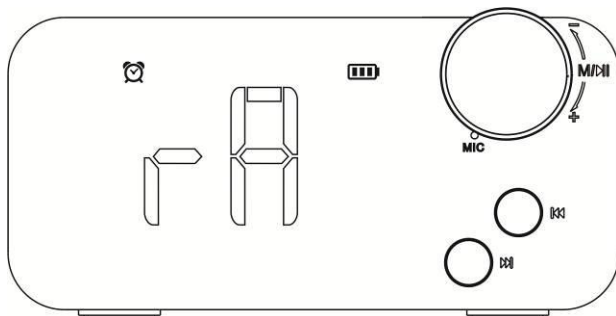
Rotate “**KNOB**” key to confirm the setting and enter the setting of alarm sound volume.

Rotate “**KNOB**” key to adjust alarm sound volume.

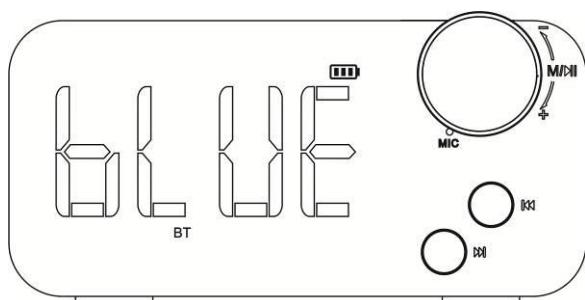
Press “**KNOB**” key to confirm all the setting.

When the alarm alert, touch “Speaker mesh” to turn on snooze function (After 5mins, the alarm will alert again.).

Press and hold “**KNOB**” key to return CLOCK mode.



【BLUETOOTH MODE】





Rotate “KNOB” to select BLUETOOTH ICON and press “KNOB” to enter BLUETOOTH mode

Press “KNOB” key to enter Bluetooth Mode.

-Music playing mode

Press “KNOB” key to play / pause the song.

Press “” key to play the previous song. Rotate “KNOB” key to be clockwise and decrease the volume.

Press” ” key to play the next song. Rotate “KNOB” key to be anti-clockwise and increase the volume.

*User use Mobile phone to control the multimedia speaker

-Handset and Hands-free MODE

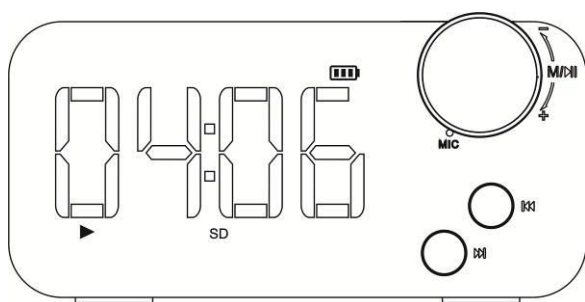
Press “KNOB” key to answer a call. Press “KNOB” key to hang up the call.

Press and hold “KNOB” key to return CLOCK mode.

How to connect speaker by Bluetooth


*Firstly, user turn on Bluetooth device in the cell phone/ MID/computer and select the device name as “DY39” to connect. After connected, user hear the indicated sound. When return Bluetooth mode, Bluetooth speaker and Mobile phone will paired automatically


【MP3 PLAYER MODE】



Inserted TF card to enter TF card player mode.

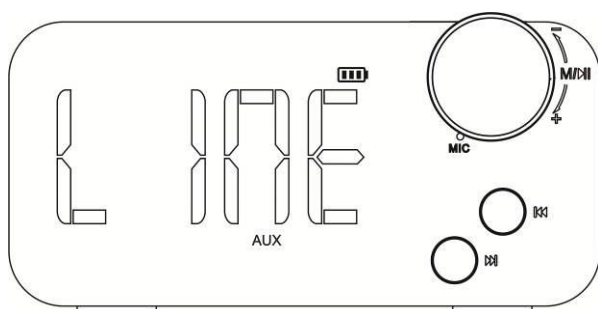
Press “KNOB” key to play the song or pause the song.

Press “” key to play the previous song. Rotate “KNOB” key to be clockwise and decrease the volume.

Press” ” key to play the next song. Rotate “KNOB” key to be anti-clockwise and increase the volume.

Press and hold “KNOB” key to return CLOCK mode.

【LINE IN MODE】



Rotate “KNOB” key to select LINE IN (Aux in) ICON and press “KNOB” to enter LINE IN (Aux in) Mode

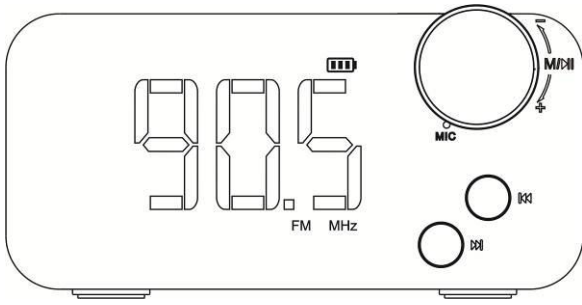
Rotate “KNOB” key to be clockwise and decrease the volume.

Rotate “KNOB” key to be anti-clockwise and increase the volume.

Press and hold “KNOB” key to return CLOCK mode.

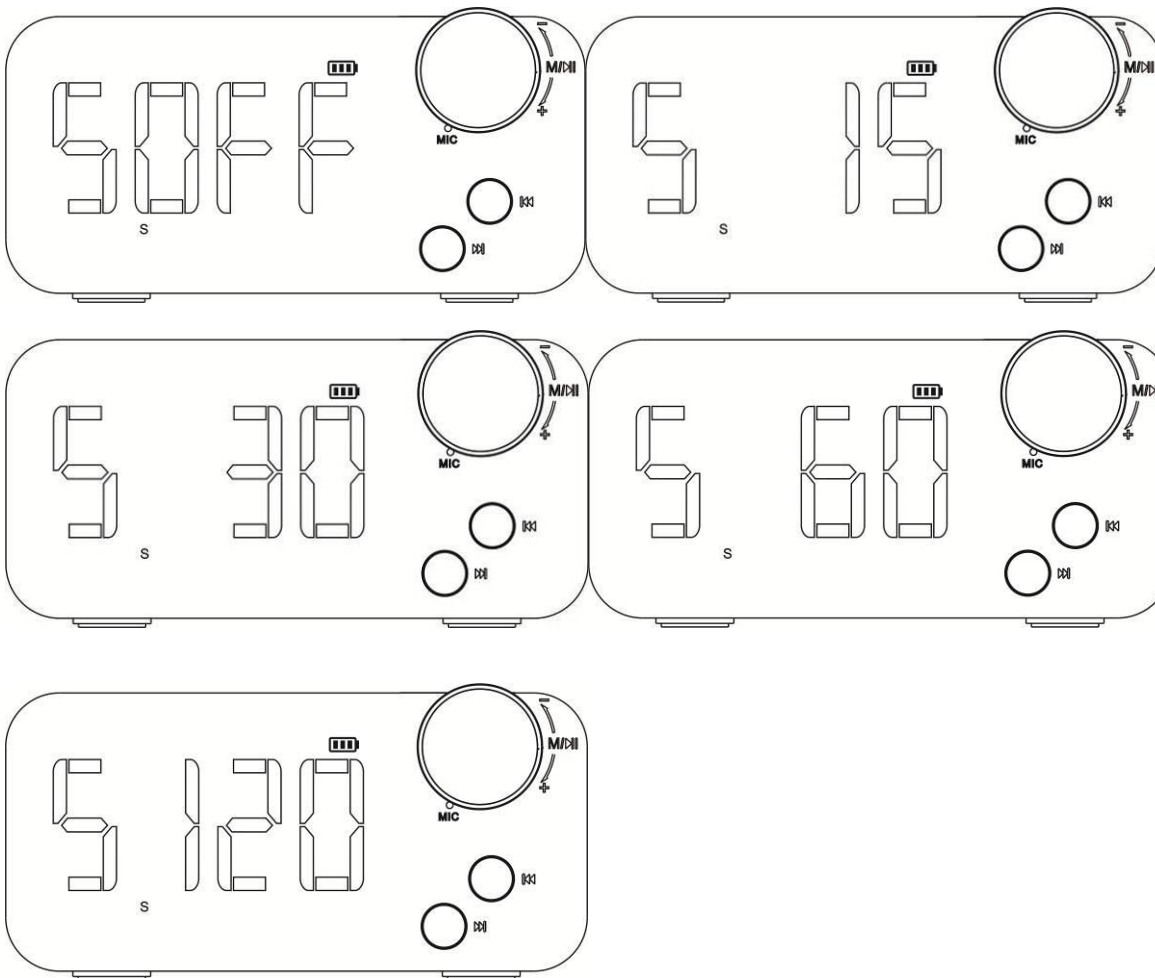
*LINE-IN cable is inserted in the “AUX” socket to connect external player device or computer audio out.

【FM RADIO MODE】 (Built in antenna)



Rotate "KNOB" key to select FM Radio ICON and press "KNOB" to enter FM Radio Mode
 Press "KNOB" key to search and store the FM Radio stations.
 Press "⏪" or "⏩" key to select the stored FM Radio stations
 Rotate "KNOB" key to be clockwise and decrease the volume.
 Rotate "KNOB" key to be anti-clockwise and increase the volume.
 Press and hold "KNOB" key to return CLOCK mode.

【SLEEP MODE】



Rotate "KNOB" key to select SLEEP Timer ICON and press "KNOB" to enter SLEEP Timer Mode
 Rotate "KNOB" key to select the digits in sequence S0FF, S15, S30, S60 and S120 to set the count time .Press "KNOB" key to confirm the setting of SLEEP timer.
 Press and hold "KNOB" key to return CLOCK mode.

*It is SLEEP timer for 15mins, 30mins, 45mins, 60mins and 120mins to turn off the speaker.
 *Next time you will want to use sleep timer. Please follow to do the above procedure again.

【FAQ】

No power	Check Lithium Rechargeable Battery which has power or not Check USB DC5V Plug which is plugged properly
No sound or Sound distortion	Check the level of volume which is not on zero status Check music file which is damaged or not .The damaged music file produce sound distortion and cannot played .Please keep the good music files. Check Lithium Rechargeable Battery which is not enough power.
Device hang up	Switch OFF the power then Switch ON the power again. After Charging, Switch ON the power once again. Press Reset key to reset Device.

【SPECIFICATION】

DISPLAY	LED
Built in Lithium Rechargeable Battery	Play time :Max 3.5~ 6 Hours *According to the level of Volume
LINE-IN Audio in (AUX)	Max. input (L) 300mV+ (R) 300mV
	Output power 5W
MP3/WMA	MP3 Bit Rate 8K bps – 320K bps
	Signal noise Ratio(SNR) 70dB
	Signal Distortion <0.55%
Music Format	MP3
Charger DC	5V 1A
Battery Capacity	2000mAH
Operation temperature	-5 to 40 Celsius Degree

* Product appearance, function and specification might change without prior notice.

FCC Statement

This equipment has been tested and found to comply with the limits for a Class B digital device, pursuant to Part 15 of the FCC Rules. These limits are designed to provide reasonable protection against harmful interference in a residential installation. This equipment generates uses and can radiate radio frequency energy and, if not installed and used in accordance with the instructions, may cause harmful interference to radio communications. However, there is no guarantee that interference will not occur in a particular installation. If this equipment does cause harmful interference to radio or television reception, which can be determined by turning the equipment off and on, the user is encouraged to try to correct the interference by one or more of the following measures:

- Reorient or relocate the receiving antenna.
- Increase the separation between the equipment and receiver.
- Connect the equipment into an outlet on a circuit different from that to which the receiver is connected.
- Consult the dealer or an experienced radio/TV technician for help.

This device complies with part 15 of the FCC Rules. Operation is subject to the following two conditions:(1) This device may not cause harmful interference, and (2) this device must accept any interference received, including interference that may cause undesired operation.

Changes or modifications not expressly approved by the party responsible for compliance could void the user's authority to operate the equipment.