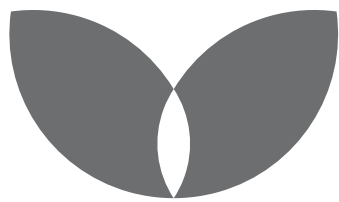




Amber

This Manual is subject to change without notice. This device is not to be disassembled by or repaired by the user. If any corrosion, deformation, abrasion, cut, abnormal heat or scent is coming off this device, stop all use at once and contact manufacturer.

Contact with static electricity may cause Amber to restart.



ClearGrass

cleargrass.com

© 2015 ClearGrass LLC

7. Attention

- Please discard properly and follow environmental regulations.
- Do not bring into contact with fire.
- Do not store this device in a high temperature environment.
- Do not place under direct strong sunlight or other forms of heat.
- Do not keep this device in any hot environment.
- Do not disassemble this device or attempt to modify it or innovate on it or use it for anything other than its intended purpose in any manner.
- Do not try switching or replacing any part of this device.
- If this device is intended by the purchaser to be used by a minor, the purchaser agrees to take full responsibility of reading and giving detailed and clear guidance and instruction on how to operate the device as well as the warnings.
- It is the responsibility of the purchaser to clearly explain the warnings and read the instruction to the minor.
- Failure to do so will result in purchasing adult to compensate manufacturer for any unintended misuse of or use of the device by the minor.

8. Customer Support

For any consultation, warranty, or after-sales services, please send an email to support@cleargrass.com.

4. Use Amber to charge Apple Watch

Place Apple Watch inside Amber with watch face outwards, place watchband around the shell, then connect Apple Watch's bottom with the magnetic connector.

Please make sure Apple Watch charging cable has been properly connected and twined within Amber. Refer to Part 1. Also ensure Amber's been charged, Refer to Part 2.

5. Use Amber to charge iPhone

Connect iPhone through Lightning cable to Amber's USB port at the back. Please make sure Amber's been charged, Refer to Part 2. While charging iPhone, it's recommended to use an USB cable with a magnetic ring.

6. Download Amber App

Please visit <http://www.cleargrass.com/amber/app> for more information and instructions on downloading Amber app. By using Amber app, you could:

- Check Amber's remaining power.
- Receive notifications. For example, when Apple Watch or Amber itself has been fully charged, abnormal temperature, and software updates.
- Find Amber, stay connected to Amber using Bluetooth, within range you can make your Amber beep.
- View Amber's status, including battery temperature condition.

Amber app will operate only when Amber is connected with iPhone via Bluetooth and within range.

2. Charging Amber

Plug Amber's USB cable into a USB power adaptor, and connect it to Amber's micro-USB socket in the back. Plug the adaptor into a power source, now your Amber is charging.

When you start charging Amber, you will be notified by a short beep, and the LED lights on the top will light up. After 10 seconds, the lights will turn off automatically to help you sleep well while still charging. If you want to check the charging progress, simply press the button on top of Amber, the LED lights will display the progress. (For details please read [3])

When charging Amber, it can also charge Apple Watch and iPhone simultaneously.

Amber is compatible with adaptors outputting 5V/2A.

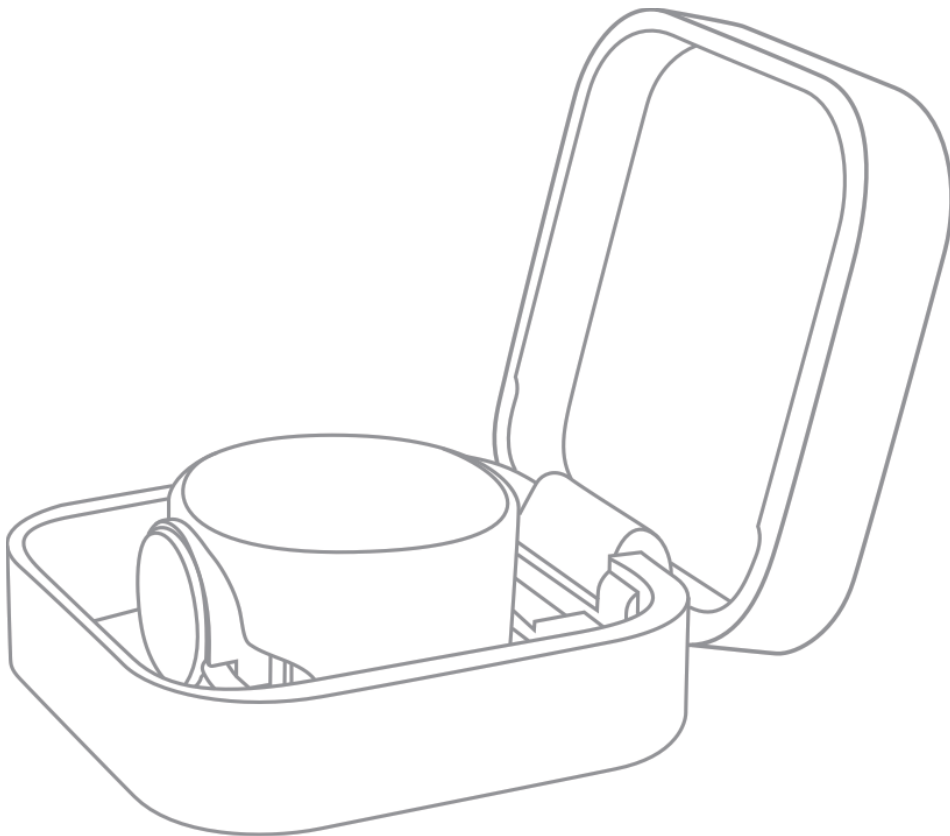
Attention: When charging Amber while simultaneously charging Apple Watch and iPad please use adaptors with 5V/2A to ensure Amber can output enough power. While charging Amber, it's recommended to use an USB cable with a magnetic ring.

3. Checking Amber's remaining power and charging progress

When you press the button on Amber, the LED lights will light up. There are total 5 LED lights, and each of them represents 20% power. For example, 3 LED lights on means Amber has 60% charge remaining.

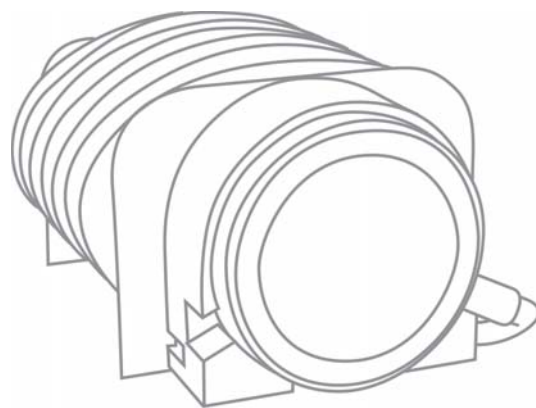
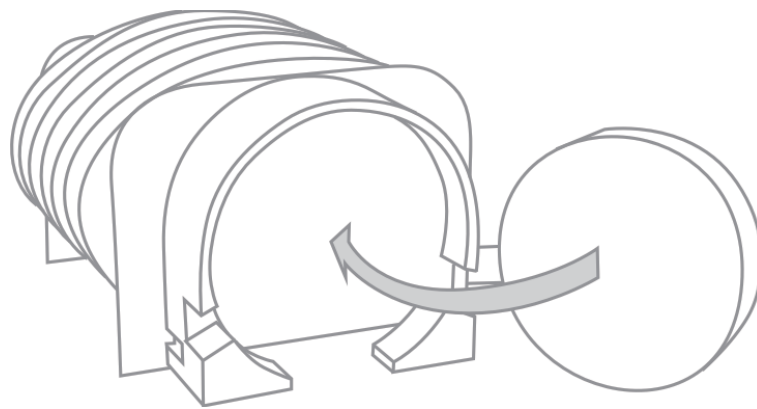
When Amber is charging and you press the button, not only do the lights indicate the remaining charge within but also there is another LED light flashing, this is to indicate Amber is charging. When all lights are on, then Amber is charged 100%.

1.5 Place spool back into Amber, and place the shell back over the spool.



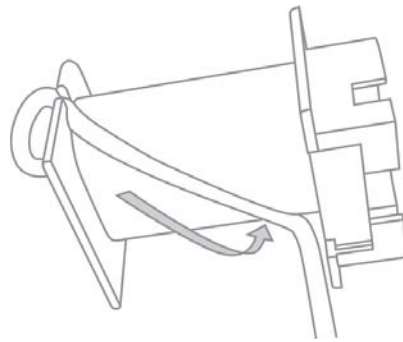
Do not be discouraged if you don't get it right the first time. The two meter cable needs to be carefully and diligently twined. More detailed assembling video available at <http://www.cleargrass.com/amber/set-up>.

1.4 Before twining all the cable around the spool, leave some space for the magnetic connector to insert into the circular slot which is located in front of the spool.

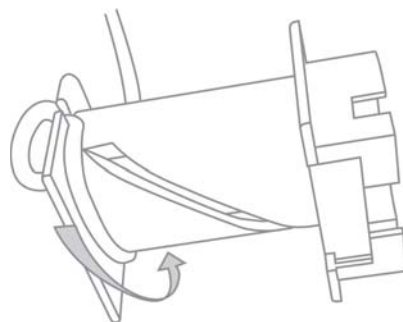


1.3 Twine the charging cable around the spool evenly. Attention: if the charging cable is two meters in length, make sure to begin twining from the diagonal opening at the bottom of the spool, so the cable will fit perfectly within the limited space.

2-meter charging cable:



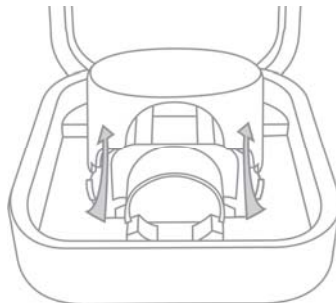
1-meter charging cable:



1. Twine Apple Watch charging cable inside Amber

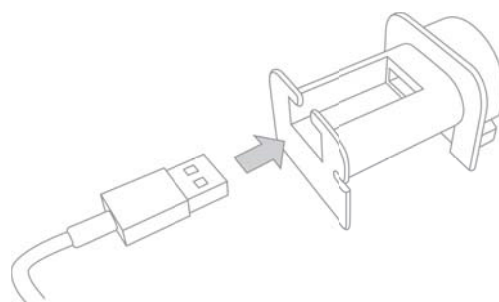
1.1 Remove the shell and spool from Amber.

When you open the Amber and begin to remove the shell to expose the spool and begin twining, please use the below gesture to remove the spool.



Place the Amber so that you are looking directly at the two ports in the back, please your index finger into the opening on the left side of the shell and your middle finger on the right side of the shell and pull back in a slow and gentle manner.

1.2 Plug your Apple Watch charging cable into Amber's spool.

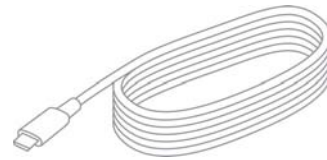


Contents

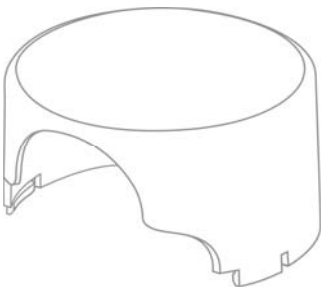
A. Amber



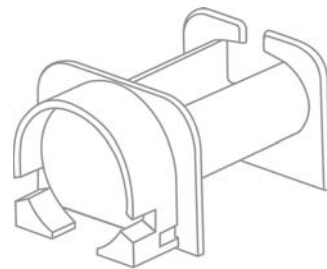
B. Micro-USB charging cable



C. Amber's shell

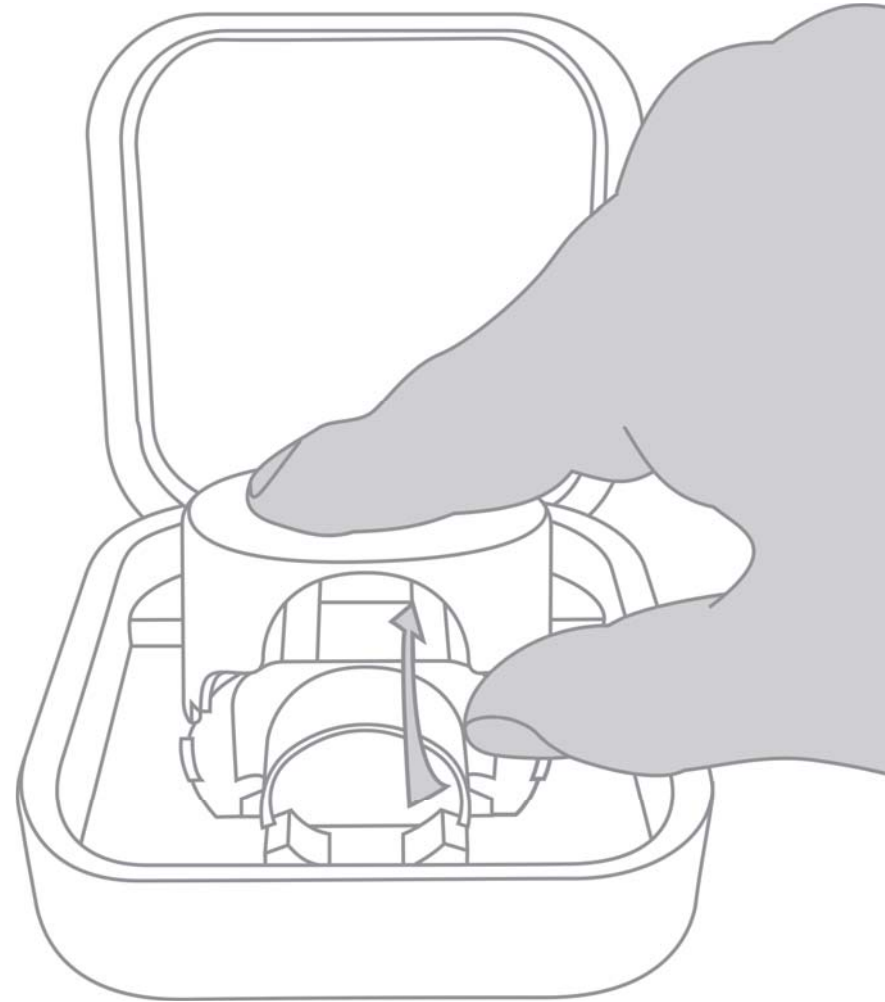


D. Amber's spool



How to remove the pool cover:

Grasp the notch and lift upwards.



Video: cleargrass.com/amber/remove-cover

FCC Statement

This equipment has been tested and found to comply with the limits for a Class B digital device, pursuant to part 15 of the FCC Rules. These limits are designed to provide reasonable protection against harmful interference in a residential installation. This equipment generates uses and can radiate radio frequency energy and, if not installed and used in accordance with the instructions, may cause harmful interference to radio communications. However, there is no guarantee that interference will not occur in a particular installation. If this equipment does cause harmful interference to radio or television reception, which can be determined by turning the equipment off and on, the user is encouraged to try to correct the interference by one or more of the following measures:

- Reorient or relocate the receiving antenna.
- Increase the separation between the equipment and receiver.
- Connect the equipment into an outlet on a circuit different from that to which the receiver is connected.
- Consult the dealer or an experienced radio/TV technician for help.

This device complies with FCC radiation exposure limits set forth for an uncontrolled environment.

This device complies with Part 15 of the FCC Rules. Operation is subject to the following two conditions: (1) this device may not cause harmful interference, and (2) this device must accept any interference received, including interference that may cause undesired operation.

Caution!

Any changes or modifications not expressly approved by the party responsible for compliance could void the user's authority to operate the equipment.



ClearGrass

cleargrass.com

© 2016 ClearGrass LLC