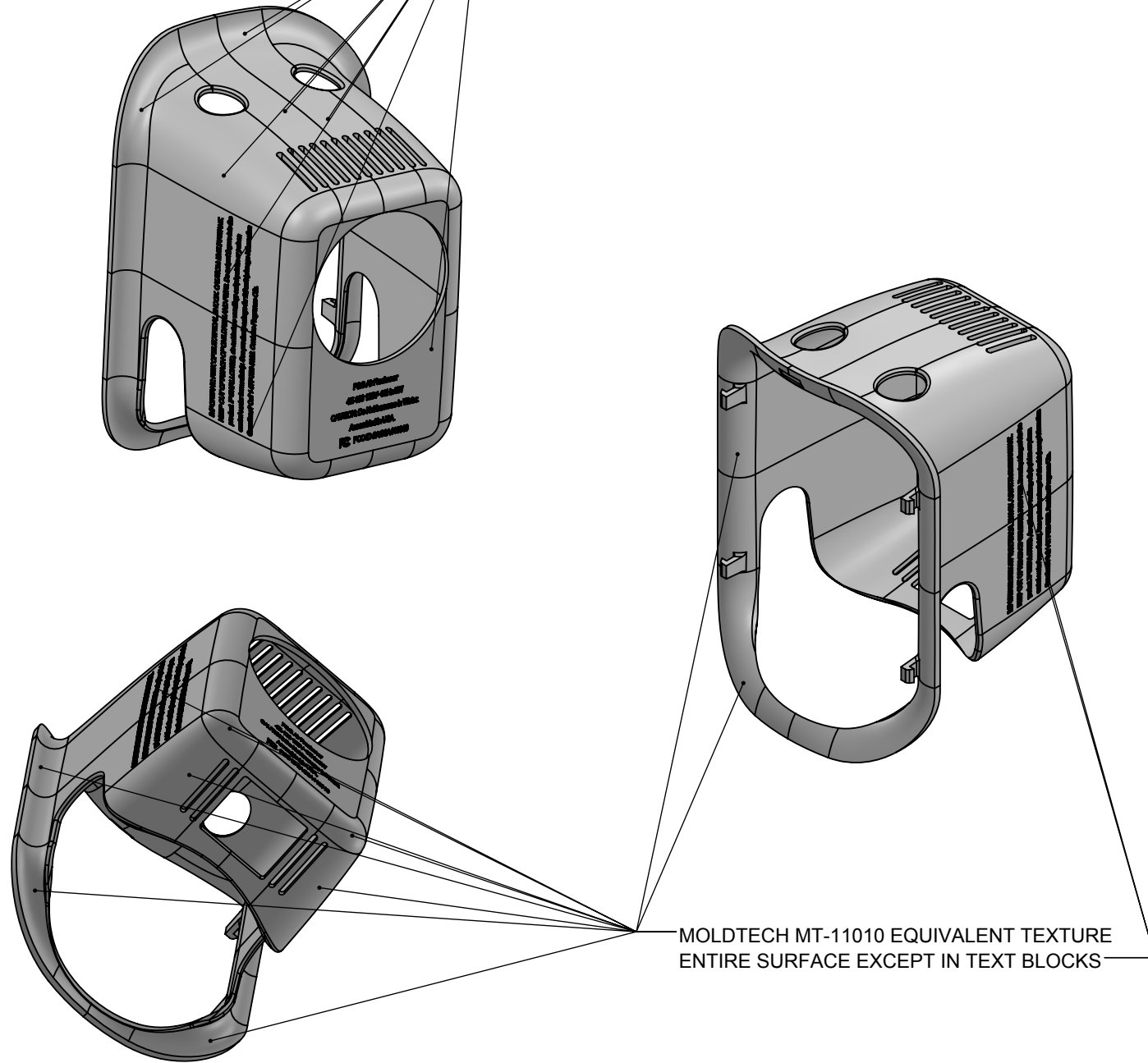


REVISIONS			
REV.	DESCRIPTION	DATE	APPROVED
A	RELEASE FOR QUOTE AND REVIEW	3/15/2016	
B	UPDATED TEXT	3/17/2016	
C	UPDATED RESIN NOTE	3/26/2016	

MOLDTECH MT-11010 EQUIVALENT TEXTURE
ENTIRE SURFACE EXCEPT IN TEXT BLOCKS



MOLDTECH MT-11010 EQUIVALENT TEXTURE
ENTIRE SURFACE EXCEPT IN TEXT BLOCKS

NOTES (UNLESS OTHERWISE SPECIFIED):

- MATERIAL: POLYPROPYLENE HOMOPOLYMER, SAMSUNG PP FB51
- MATERIAL AND PROCESSES USED IN THE FABRICATION OF THIS PART TO BE ROHS COMPLIANT; CERTIFICATE(S) OR ROHS COMPLIANCE TO BE MADE AVAILABLE FROM SUPPLIER UPON REQUEST
- MATERIAL COLOR: WHITE, PANTONE Q610-7-2
- FINISH:
ENTIRE EXTERIOR FINISH TO BE MOLDTECH MT-11010
MOLD FINISH TO BE SPI B2 OR BETTER ON ALL NON-TEXTURED SURFACES.
- COSMETIC ACCEPTANCE CRITERIA: PART TO COMPLY WITH GENER8 DOCUMENT WI-00247
- DIMENSIONS NOT SPECIFIED SHALL BE BASIC PER CAD FILE PAG-4HBCK4-C
- TOLERANCE:
0 < D < 25mm: +/-0.05mm
25 < D < 50mm: +/-0.10mm
50 < D < 75mm: +/-0.15mm
75 < D < 100mm: +/-0.20mm
D > 100mm: +/-0.05mm per 25mm
- DIMENSIONS INDICATED INSPECTION ARE CRITICAL TO FUNCTION AND ARE TO BE INSPECTED ACCORDING TO GENER8 IQC POLICY
- GATE TO BE TRIMMED FLUSH TO SURROUNDING SURFACE WITHIN 0.15 MM
- EJECTOR PIN, PARTING LINE AND GATE LOCATION MUST BE APPROVED BY GENER8 PRIOR TO MOLD FABRICATION
- MOLD TO BE PROPERTY OF GENER8 AND SHALL BE MARKED WITH GENER8, PART NUMBER, REVISION AND DATE
- IF INDICATED, REMOVABLE MOLD INSERT(S) SHALL CONTAIN PART DATA INCLUDING: PART NUMBER; REVISION LEVEL; PLASTIC ID LOGO; DATE OF MOLDING
- PACKAGE PARTS TO PREVENT DAMAGE; MARK PACKAGING WITH PURCHASE ORDER NUMBER, PART NUMBER AND REVISION
- PLASTIC VOLUME: 24,521 CUBIC MM



TITLE:
HOUSING BACK

PROPRIETARY AND CONFIDENTIAL

THE INFORMATION CONTAINED IN THIS DRAWING IS THE SOLE PROPERTY OF GENER8. ANY REPRODUCTION IN PART OR AS A WHOLE WITHOUT THE WRITTEN PERMISSION OF GENER8 IS PROHIBITED.

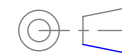
DO NOT SCALE DRAWING

UNLESS OTHERWISE SPECIFIED:

DIMENSIONS ARE IN **MILLIMETERS**
TOLERANCES:

X ± 2
.X ± .5
.XX ± .1
.XXX ± .02
ANGULAR: .X° ± .5°

ASME Y14.5M-1994
THIRD ANGLE
PROJECTION



MATERIAL

PP

FINISH

SEE NOTES

DRAWN

CHECKED

ENG APPR.

MFG APPR.

Q.A.

SIZE

B

DWG. NO.

PAG-4HBCK4

REV

C

SCALE: 1:1.5

WEIGHT:

SHEET 1 OF 3

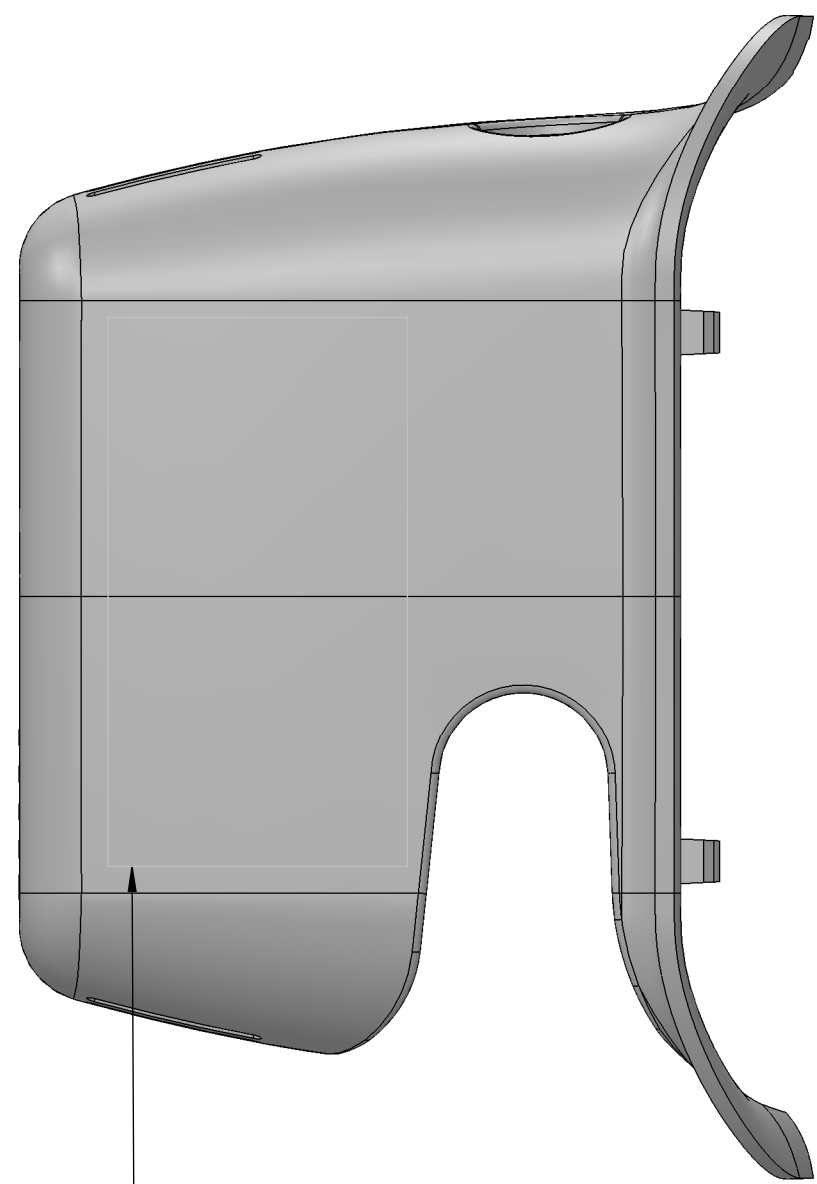
7 6 5 4 3 2 1

D

C

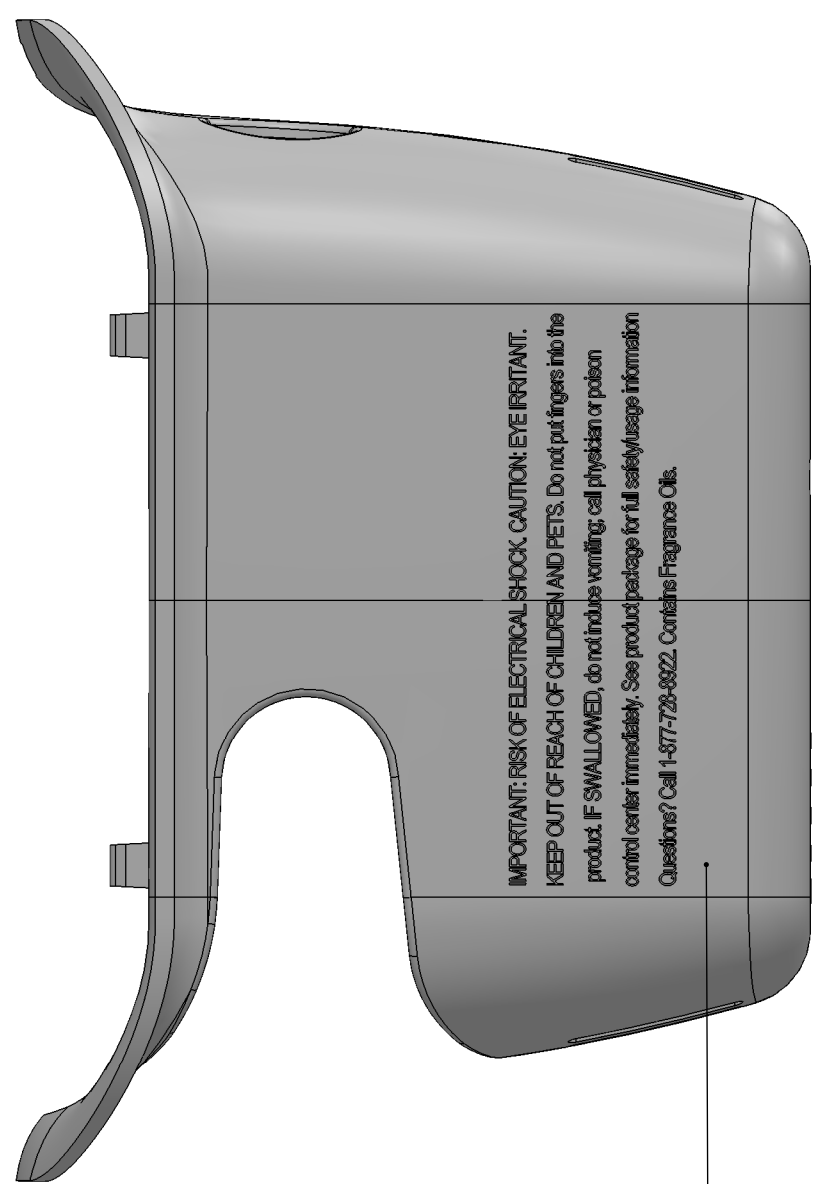
B

A



MOLDED TEXT MADE WITH REMOVABLE INSERT
SEE EXAMPLE
.05 TALL
SPI-A3 BACKGROUND FINISH

NO TEXT FOR NOW.



MOLDED TEXT MADE WITH REMOVABLE INSERT
SEE EXAMPLE
.05 TALL
SPI-A3 BACKGROUND FINISH

SEE CAD FILE FOR TEXT



MOLDED TEXT MADE WITH REMOVABLE INSERT
SEE EXAMPLE
.05 TALL
SPI-A3 BACKGROUND FINISH

SEE CAD FILE FOR TEXT

8 7 6 5 4 3 2 1



TITLE: HOUSING BACK		
SIZE B	DWG. NO. PAG-4HBCK4	REV C
SCALE: 1:1.8	WEIGHT:	SHEET 2 OF 3

PROPRIETARY AND CONFIDENTIAL THE INFORMATION CONTAINED IN THIS DRAWING IS THE SOLE PROPERTY OF GENER8. ANY REPRODUCTION IN PART OR AS A WHOLE WITHOUT THE WRITTEN PERMISSION OF GENER8 IS PROHIBITED.	UNLESS OTHERWISE SPECIFIED: DIMENSIONS ARE IN MILLIMETERS TOLERANCES: X ± 2 .X ± .5 .XX ± .1 .XXX ± .02 ANGULAR: .X° ± .5°	ASME Y14.5M-1994 THIRD ANGLE PROJECTION 	DRAWN CHECKED ENG APPR. MFG APPR. Q.A.
	DO NOT SCALE DRAWING	MATERIAL PP	FINISH SEE NOTES