

DFS Test Report

IC: 21411-NMDB3

FCC ID: 2AG87NM-DB-3

Product: Wi-Fi® Radio Transceiver

Model No.: NM-DB-3

Additional Model No.: DLM180, NM-DB-2,
NE-DB-2, NE-DB-3, NO-DB-2, NO-DB-3

Trade Mark: N/A

Report No.: TCT160601E026

Issued Date: Sep. 08, 2016

Issued for:

Doodle Labs (SG) Pte Ltd

150 Kampong Ampat, KA Centre, Suite #05-03, Singapore 368324

Issued By:

Shenzhen Tongce Testing Lab.

1F, Leinuo Watch Building, Fuyong Town, Baoan Dist, Shenzhen, China

TEL: +86-755-27673339

FAX: +86-755-27673332

Note: This report shall not be reproduced except in full, without the written approval of Shenzhen Tongce Testing Lab.,
This document may be altered or revised by Shenzhen Tongce Testing Lab. personnel only, and shall be noted in
the revision section of the document. The test results in the report only apply to the tested sample.

TABLE OF CONTENTS

1. Test Certification..... 3

2. Test Result Summary 4

3. EUT Description..... 5

4. General Information..... 6

 4.1. RF General information..... 6

 4.2. Description of Support Units..... 6

 4.3. Test Instruments List 7

5. Facilities and Accreditations 8

 5.1. Facilities 8

 5.2. Location 8

6. Dynamic Frequency Selection (DFS) Test Result..... 9

 6.1. General DFS Information 9

 6.2. Radar Test Waveform Calibration 12

 6.3. UNII Detection Bandwidth..... 18

 6.4. Channel Availability Check (CAC)..... 21

 6.5. In-service Monitoring 24

 6.6. Statistical Performance Check..... 27

 6.6.1. Statistical Performance Check Limit..... 27

 6.6.2. Measuring Instruments 27

1. Test Certification

Product:	Wi-Fi® Radio Transceiver
Model No.:	NM-DB-3
Additional Model No.:	DLM180, NM-DB-2, NE-DB-2, NE-DB-3, NO-DB-2, NO-DB-3
Applicant:	Doodle Labs (SG) Pte Ltd
Address:	150 Kampong Ampat, KA Centre, Suite #05-03, Singapore 368324
Manufacturer:	Doodle Labs (SG) Pte Ltd
Address:	150 Kampong Ampat, KA Centre, Suite #05-03, Singapore 368324
Date of Test:	Jun. 01 – Sep. 01, 2016
Applicable Standards:	47 CFR FCC Part 15.407 KDB905462 D02 UNII DFS Compliance Procedures New Rules v02 IC RSS-247(Issue 1, May 2015)

The above equipment has been tested by Shenzhen Tongce Testing Lab., and found compliance with the requirements set forth in the technical standards mentioned above. The results of testing in this report apply only to the product/system, which was tested. Other similar equipment will not necessarily produce the same results due to production tolerance and measurement uncertainties.

Tested By: Beryl Zhao **Date:** Sep. 01, 2016

Beryl Zhao

Reviewed By: Joe Zhou **Date:** Sep. 08, 2016

Joe Zhou

Approved By: Tomsin **Date:** Sep. 08, 2016

Tomsin

2. Test Result Summary

Conformance Test Specifications					
Report Clause	Ref. Std. Clause	Description	Measured	Limit	Result
UNII Detection Bandwidth	7.8.1	DFS: UNII Detection Bandwidth Measurement	NHT20: 18.14MHz NHT40: 36.92MHz	100% of the 99% BW	Complied
Channel Availability Check	7.8.2.1	DFS: Initial Channel Availability Check Time	Power-on Cycle = 90.56 sec CAC = 60 sec	CAC ≥ 60 sec	Complied
Channel Availability Check	7.8.2.2	DFS: Radar Burst at the Beginning of the Channel Availability Check Time	Detect Radar Signal	Detection Threshold: -64dBm	Complied
Channel Availability Check	7.8.2.3	DFS: Radar Burst at the End of the Channel Availability Check Time	Detect Radar Signal	Detection Threshold: -64dBm	Complied
In-service Monitoring	7.8.3	DFS: In-Service Monitoring for Channel Move Time (CMT)	CMT < 10sec	CMT ≤ 10sec	Complied
In-service Monitoring	7.8.3	DFS: In-Service Monitoring for Channel Closing Transmission Time (CCTT)	CCTT < 60 ms	CCTT ≤ 60 ms starting at CMT 200ms	Complied
In-service Monitoring	7.8.3	DFS: In-Service Monitoring for Non-Occupancy Period (NOP)	NOP > 30 min	NOP ≥ 30 min	Complied
Statistical Performance Check	7.8.4	DFS: Statistical Performance Check	All Pd > Table 5 - 7 (KDB 905462)	Table 5 - 7 (KDB 905462)	Complied
Uniform Spreading	5.8.1	DFS: Uniform Spreading	Manufacturer attestation using a Gaussian random algorithm of the spectrum with uniform spreading	Uniform Spreading for DFS Band	Complied
User Access Restrictions	8.1	User Access Restrictions	Manufacturer attestation NOT accessible to user	DFS controls	Complied

3. EUT Description

Product Name:	Wi-Fi® Radio Transceiver
Model :	NM-DB-3
Additional Model:	DLM180, NM-DB-2, NE-DB-2, NE-DB-3, NO-DB-2, NO-DB-3
Trade Mark:	N/A
Support Mode:	■ Master
Operation Frequency:	Band I: 5150MHz~5250MHz Band II: 5250MHz~5350MHz Band III: 5470MHz~5725MHz Band IV: 5725MHz~5850MHz
Channel Separation:	802.11a :20MHz 802.11n :20MHz, 40MHz
Modulation Technology:	Orthogonal Frequency Division Multiplexing(OFDM)
Antenna Type:	R-SMA antenna
Antenna Gain:	Band I: 5150MHz~5250MHz: 3dBi Band II: 5250MHz~5350MHz: 3dBi Band III: 5470MHz~5725MHz: 3dBi Band IV: 5725MHz~5850MHz: 3dBi
Power Supply:	DC 3.3V
First Channel operating:	This device selects the operating frequency with randomly in the DFS operation frequency.
TPC function:	The device operating in the 5.25-5.35 GHz band and the 5.47-5.725 GHz band can support a TPC mechanism. The device has a capability to operate at least 6 dB below the mean EIRP value of 30dBm.
Video File Used:	WLAN traffic is generated by streaming the video file "Testfile.mp2" from the Master to the slave in full motion video mode using the "Nero Show Time3" with the V3.0.1..3 code package.
Power-on Cycle:	90.59s

4. General Information

4.1. RF General information

IEEE Std. 802.11	Channel Bandwidth (MHz)
a / n (HT20)	20
n (HT40)	40

802.11a/n uses a combination of OFDM-BPSK, QPSK, 16QAM, 64QAM modulation.

Remark: All test are performed with conducted method

4.2. Description of Support Units

The EUT has been tested as an independent unit together with other necessary accessories or support units. The following support units or accessories were used to form a representative test configuration during the tests.

Equipment	Model No.	Serial No.	FCC ID	Trade Name
Intel NUC	D54250WYKH	G6YK4390029U	DOC	Intel
TABLET PC	TPC7052CL	CAPTIVA PAD 7 LTE	/	Kommunikator

Note:

1. All the equipment/cables were placed in the worst-case configuration to maximize the emission during the test.
2. Grounding was established in accordance with the manufacturer's requirements and conditions for the intended use.

4.3. Test Instruments List

DFS				
Name	Model No.	Manufacturer	Date of Cal.	Due Date
vector Signal Generator	N5182A	Agilent	Aug. 12, 2016	Aug. 11, 2017
Spectrum Analyzer	N9020A	Agilent	Aug. 13, 2016	Aug. 12, 2017
4 Ch.Simultaneous Sampling 14 Bits 2 MS/s	U2531A	Agilent	Aug. 13, 2016	Aug. 12, 2017
Combiner Box	AT890-RFB	Ascentest	Aug. 13, 2016	Aug. 12, 2017
Attenuator	6SR1211	WOKEN	Aug. 13, 2016	Aug. 12, 2017

Note: The calibration interval of the above test instruments is 12 months and the calibrations are traceable to international system unit (SI).

5. Facilities and Accreditations

5.1. Facilities

The test facility is recognized, certified, or accredited by the following organizations:

- FCC - Registration No.: 572331

Shenzhen Tongce Testing Lab

The 3m Semi-anechoic chamber has been registered and fully described in a report with the (FCC) Federal Communications Commission. The acceptance letter from the FCC is maintained in our files.

- IC - Registration No.: 10668A-1

The 3m Semi-anechoic chamber of Shenzhen TCT Testing Technology Co., Ltd. has been registered by Certification and Engineering Bureau of Industry Canada for radio equipment testing

- CNAS - Registration No.: CNAS L6165

Shenzhen TCT Testing Technology Co., Ltd. is accredited to ISO/IEC 17025:2005 General Requirements for the Competence of Testing and Calibration laboratories for the competence of testing. The Registration No. is CNAS L6165.

5.2. Location

Shenzhen TCT Testing Technology Co., Ltd.

Address: 1F, Leinuo Watch Building, Fuyong Town, Baoan Dist, Shenzhen, China

Tel: 86-755-36638142

6. Dynamic Frequency Selection (DFS) Test Result

6.1. General DFS Information

6.1.1. DFS Parameters

Table D.1: DFS requirement values	
Parameter	Value
Non-occupancy period	Minimum 30 minutes
Channel Availability Check Time	60 seconds
Channel Move Time	10 seconds See Note 1.
Channel Closing Transmission Time	200 milliseconds + an aggregate of 60 milliseconds over remaining 10 second periods. See Notes 1 and 2.
U-NII Detection Bandwidth	Minimum 100% of the 99% power bandwidth See Note 3.

Note 1: The instant that the *Channel Move Time* and the *Channel Closing Transmission Time* begins is as follows:

- For the Short pulse radar Test Signals this instant is the end of the *Burst*.
- For the Frequency Hopping radar Test Signal, this instant is the end of the last radar *Burst* generated.
- For the Long Pulse radar Test Signal this instant is the end of the 12 second period defining the radar transmission.

Note 2: The *Channel Closing Transmission Time* is comprised of 200 milliseconds starting at the beginning of the *Channel Move Time* plus any additional intermittent control signals required to facilitate *Channel* changes (an aggregate of 60 milliseconds) during the remainder of the 10 second period. The aggregate duration of control signals will not count quiet periods in between transmissions.

Note 3: During the *U-NII Detection Bandwidth* detection test, radar type 1 is used and for each frequency step the minimum percentage of detection is 90%. Measurements are performed with no data traffic.

Table D.2: Interference threshold values	
Maximum Transmit Power	Value (see note)
≥ 200 milliwatt	-64 dBm
< 200 milliwatt	-62 dBm

Note 1: This is the level at the input of the receiver assuming a 0 dBi receive antenna.

Note 2: Throughout these test procedures an additional 1 dB has been added to the amplitude of the test transmission waveforms to account for variations in measurement equipment. This will ensure that the test signal is at or above the detection threshold level to trigger a DFS response.

Note 1: This is the level at the input of the receiver assuming a 0 dBi receive antenna.

Note 2: Throughout these test procedures an additional 1 dB has been added to the amplitude of the test transmission waveforms to account for variations in measurement equipment. This will ensure that the test signal is at or above the detection threshold level to trigger a DFS response.

6.1.2. Applicability of DFS Requirements Prior to Use of a Channel

Requirement	DFS Operational mode		
	Master	Client without radar detection	Client with radar detection
<i>Non-Occupancy Period</i>	Yes	Not required	Yes
<i>DFS Detection Threshold</i>	Yes	Not required	Yes
<i>Channel Availability Check Time</i>	Yes	Not required	Not required
<i>Uniform Spreading</i>	Yes	Not required	Not required
<i>U-NII Detection Bandwidth</i>	Yes	Not required	Yes

6.1.3. Applicability of DFS Requirements during Normal Operation

Requirement	DFS Operational mode		
	Master	Client without radar detection	Client with radar detection
<i>DFS Detection Threshold</i>	Yes	Not required	Yes
<i>Channel Closing Transmission Time</i>	Yes	Yes	Yes
<i>Channel Move Time</i>	Yes	Yes	Yes
<i>U-NII Detection Bandwidth</i>	Yes	Not required	Yes

6.1.4. Uniform Spreading

Manufacturer Declare the Uniform Spreading
<input checked="" type="checkbox"/> For the 5250-5350 MHz and 5470-5725 MHz bands, the Master device provides, on aggregate, uniform loading of the spectrum across all devices by selecting an operating channel among the available channels using a Gaussian random algorithm.

6.1.5. User Access Restrictions

User Access Restrictions
<input checked="" type="checkbox"/> DFS controls (hardware or software) related to radar detection are NOT accessible to the user. Manufacturer statement confirming that information regarding the parameters of the detected Radar Waveforms is not available to the end user.

6.1.6. Channel Loading/Data Streaming

<input checked="" type="checkbox"/> IP Based (Load Based) - stream the test file from the Master to the Client
The client device is link with the master device and plays the WAV audio file from master device to client device. Test file download in NTIA website (http://ntiacsd.ntia.doc.gov/dfs/)
The client device is link with the master device and plays the MPEG file (6 1/2 Magic Hours) from master device to client device. Test file download in NTIA website (http://ntiacsd.ntia.doc.gov/dfs/)
Alternative streaming e.g., FTP with about 17 to 20% loading and submit proposal to FCC.

<input type="checkbox"/> Frame Based - stream the test file from the Master to the Client.
fixed talk/listen ratio, set the ratio to 45%/55%



6.2. Radar Test Waveform Calibration

6.2.1. Short Pulse Radar Test Waveforms

Table 5 – Short Pulse Radar Test Waveforms

Radar Type	Pulse Width (μsec)	PRI (μsec)	Number of Pulses	Minimum Percentage of Successful Detection	Minimum Number of Trials
0	1	1428	18	See Note 1	See Note 1
1	1	Test A: 15 unique PRI values randomly selected from the list of 23 PRI values in Table 5a	Roundup $\left\{ \left(\frac{1}{360} \right) \cdot \left(\frac{19 \cdot 10^6}{PRI_{\mu sec}} \right) \right\}$	60%	30
		Test B: 15 unique PRI values randomly selected within the range of 518-3066 μsec, with a minimum increment of 1 μsec, excluding PRI values selected in Test A			
2	1-5	150-230	23-29	60%	30
3	6-10	200-500	16-18	60%	30
4	11-20	200-500	12-16	60%	30
Aggregate (Radar Types 1-4)				80%	120
Note 1: Short Pulse Radar Type 0 should be used for the detection bandwidth test, channel move time, and channel closing time tests.					

A minimum of 30 unique waveforms are required for each of the short pulse radar types 2 through 4. For short pulse radar type 1, the same waveform is used a minimum of 30 times. If more than 30 waveforms are used for short pulse radar types 2 through 4, then each additional waveform must also be unique and not repeated from the previous waveforms. The aggregate is the average of the percentage of successful detections of short pulse radar types 1-4.

6.2.2. Long Pulse Radar Test Waveform

Radar Type	Pulse Width (µsec)	ChirpWidth (MHz)	PRI (µsec)	Number of Pulses per Burst	Number of Bursts	Minimum Percentage of Successful Detection	Minimum Trials
5	50-100	5-20	1000-2000	1-3	8-20	80%	30

Each waveform is defined as follows:

- ◆ The transmission period for the Long Pulse Radar test signal is 12 seconds.
- ◆ There are a total of 8 to 20 Bursts in the 12 second period, with the number of Bursts being randomly chosen. This number is Burst Count.
- ◆ Each Burst consists of 1 to 3 pulses, with the number of pulses being randomly chosen. Each Burst within the 12 second sequence may have a different number of pulses.
- ◆ The pulse width is between 50 and 100 microseconds, with the pulse width being randomly chosen. Each pulse within a Burst will have the same pulse width. Pulses in different Bursts may have different pulse widths.
- ◆ Each pulse has a linear FM chirp between 5 and 20 MHz, with the chirp width being randomly chosen. Each pulse within a Burst will have the same chirp width. Pulses in different Bursts may have different chirp widths. The chirp is centered on the pulse. For example, with a radar frequency of 5300 MHz and a 20 MHz chirped signal, the chirp starts at 5290 MHz and ends at 5310 MHz.
- ◆ If more than one pulse is present in a Burst, the time between the pulses will be between 1000 and 2000 microseconds, with the time being randomly chosen. If three pulses are present in a Burst, the time between the first and second pulses is chosen independently of the time between the second and third pulses.
- ◆ The 12 second transmission period is divided into even intervals. The number of intervals is equal to Burst_Count. Each interval is of length $(12,000,000 / \text{Burst_Count})$ microseconds. Each interval contains one Burst. The start time for the Burst, relative to the beginning of the interval, is between 1 and $[(12,000,000 / \text{Burst_Count}) - (\text{Total Burst Length}) + (\text{One Random PRI Interval})]$ microseconds, with the start time being randomly chosen. The step interval for the start time is 1 microsecond. The start time for each Burst is chosen independently.

6.2.3. Frequency Hopping Radar Test Waveform

Radar Type	Pulse Width (µsec)	PRI (µsec)	Pulses per Hop	Hopping Rate (kHz)	Hopping Sequence Length (ms)	Minimum Percentage of Successful Detection	Minimum Trials
6	1	333	9	0.333	300	70%	30

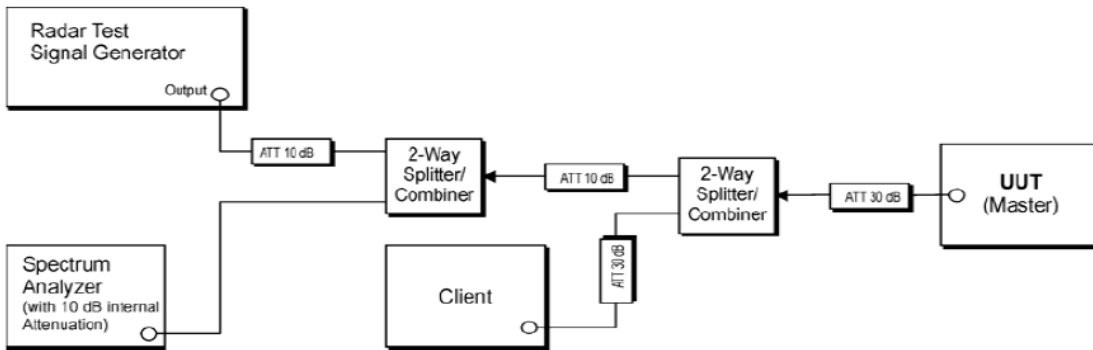
The FCC Type 6 waveform uses a static waveform with 100 bursts in the instruments ARB. In addition, the RF list mode is operated with a list containing 100 frequencies from a randomly generated list and it had be ensured that at least one of the random frequencies falls into the UNII Detection Bandwidth of the DUT. Each burst from the waveform file initiates a trigger pulse at the beginning that switches the RF list from one item to the next one.

6.2.4. DFS Threshold Level

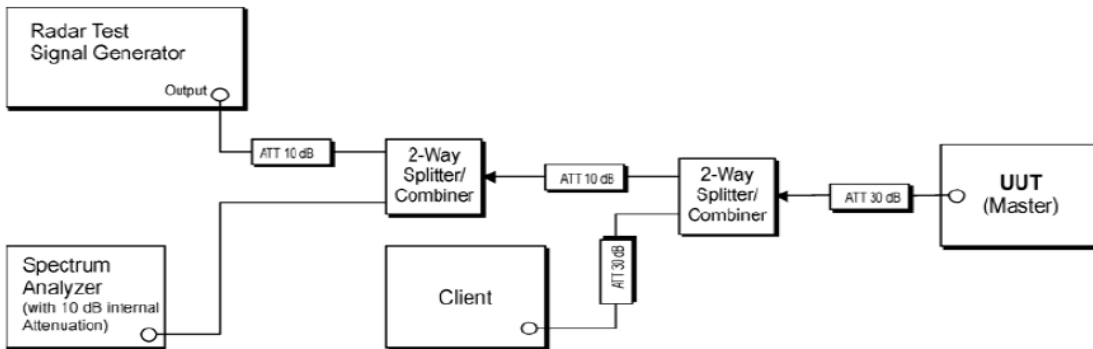
DFS Threshold Level	
DFS Threshold level: -62 dBm	<input type="checkbox"/> at the antenna connector
	<input checked="" type="checkbox"/> in front of the antenna
The Interference Radar Detection Threshold Level is -62 dBm. That had been taken into account the output power range and antenna gain.	

6.2.5. Test Set up

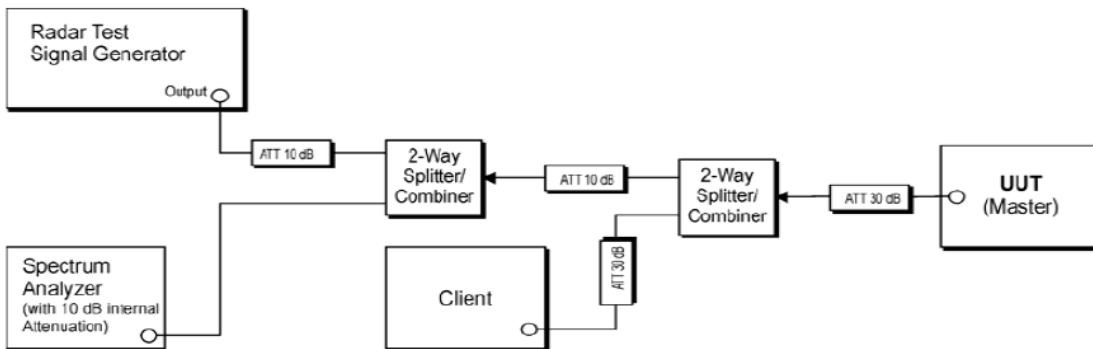
Setup for Master with injection at the Master



Setup for Master with injection at the Master



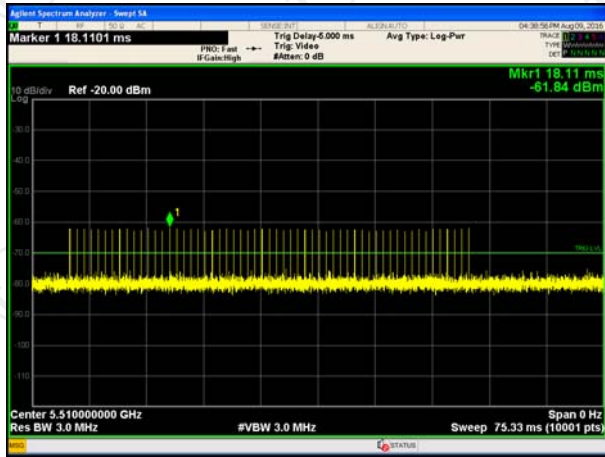
Setup for Master with injection at the Master



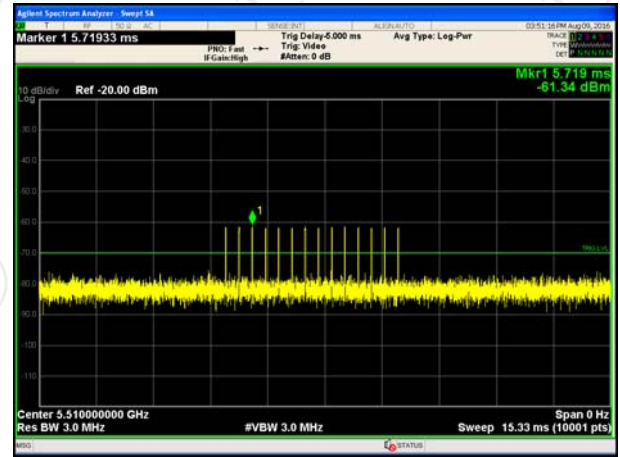
Calibration Plots

DFS signal: -61dBm

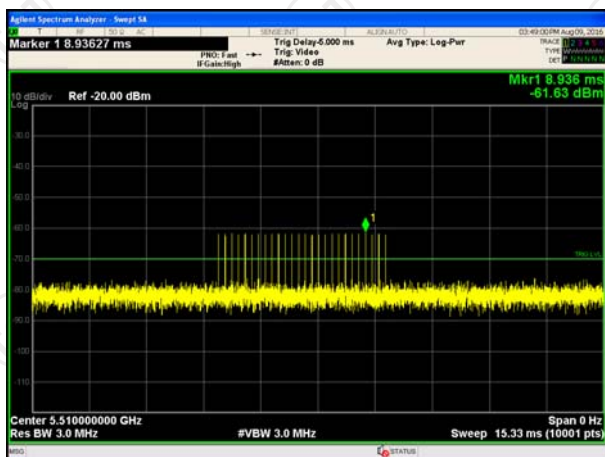
Radar # 0 DFS detection threshold level



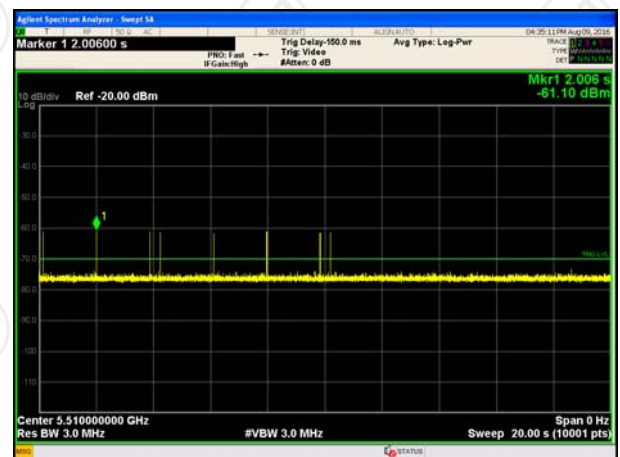
Radar # 4 DFS detection threshold level



Radar # 1 DFS detection threshold level



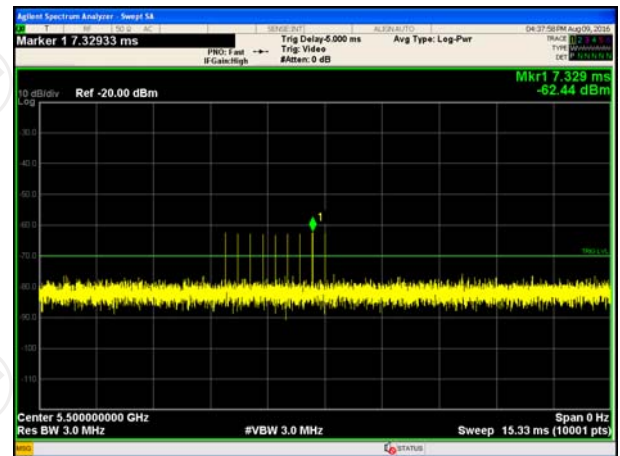
Radar # 5 DFS detection threshold level



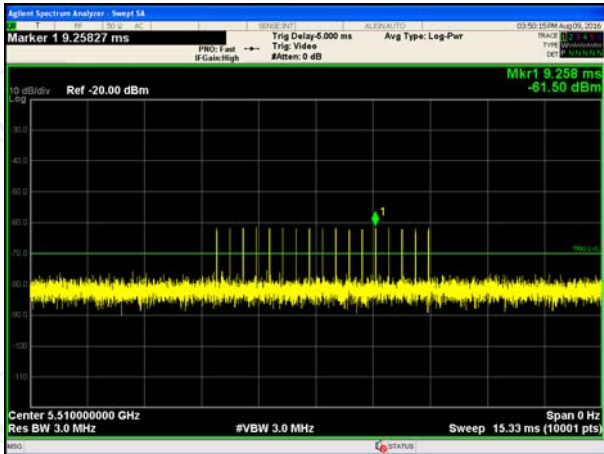
Radar # 2 DFS detection threshold level



Radar # 6 DFS detection threshold level



Radar # 3 DFS detection threshold level



6.3. UNII Detection Bandwidth

6.3.1. UNII Detection Bandwidth Limit

Channel Bandwidth (MHz)	99% Power Bandwidth (MHz)	UNII Detection Bandwidth (MHz)
20	18.14	18.14
40	36.92	36.92

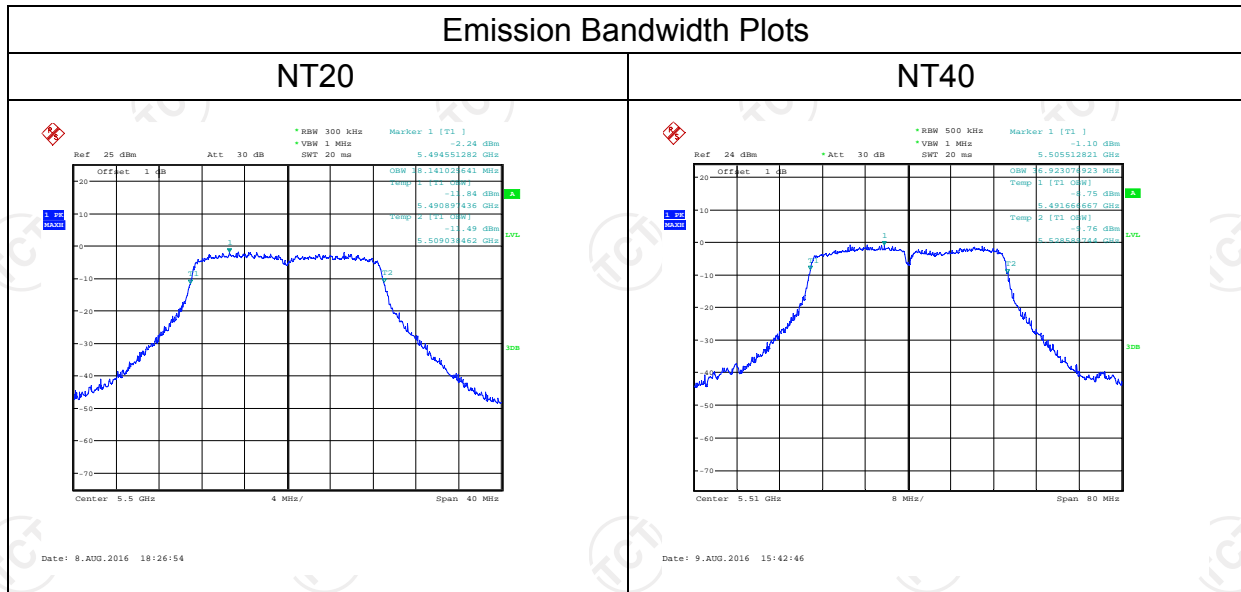
UNII Detection Bandwidth is minimum 100% of the 99% power bandwidth. A single radar Burst is generated for a minimum of 10 trials, and the response of the UUT is noted. The UUT must detect the Radar Waveform 90% or more of the time.

6.3.2. Measuring Instruments

Refer a test equipment and calibration data table in this test report.

6.3.3. Test Procedures

Test Method
<p><input checked="" type="checkbox"/> Refer as KDB905462 D02 UNII DFS Compliance Procedures New Rules v02, clause 7.8.1 for UNII Detection Bandwidth test. During the U-NII Detection Bandwidth detection test, radar type 1 is used and for each frequency step the minimum percentage of detection is 90 percent. Measurements are performed with no data traffic. The EUT is set up as a standalone device (no associated Client and no traffic). The radar frequency is increased in 1 MHz steps, repeating the above test sequence, until the detection rate falls below 90%. The highest frequency at which detection is greater than or equal to 90% is denoted as FH. The radar frequency is decreased in 1 MHz steps, repeating the above test sequence, until the detection rate falls below 90%. The lowest frequency at which detection is greater than or equal to 90% is denoted as FL. UNII Detection Bandwidth = FH -FL</p>



6.3.4. Test Result of UNII Detection Bandwidth

Channel Bandwidth 20MHz

UNII Detection Bandwidth Result													
Radar Type		1											
Channel Bandwidth (MHz)		20											
Radar Freq. (MHz)	DFS Detection Trials (1=Detection, 0= No Detection)										Detection Rate (%)	Detection Bandwidth (MHz)	
	1	2	3	4	5	6	7	8	9	10			
5490	1	1	1	1	1	1	1	1	1	1	1	100	2
5491	1	1	1	1	1	1	1	1	1	1	1	100	
5492	1	1	1	1	1	1	1	1	1	1	1	100	
5493	1	1	1	1	1	1	1	1	1	1	1	100	
5494	1	1	1	1	1	1	1	1	1	1	1	100	
5495	1	1	1	1	1	1	1	1	1	1	1	100	
5496	1	1	1	1	1	1	1	1	1	1	1	100	
5497	1	1	1	1	1	1	1	1	1	1	1	90	
5498	1	1	1	1	1	1	1	1	1	1	1	100	
5499	1	1	1	1	1	1	1	1	1	1	1	100	
5500	1	1	1	1	1	1	1	1	1	1	1	100	
5501	1	1	1	1	1	1	1	1	1	1	1	100	
5502	1	1	1	1	1	1	1	1	1	1	1	10	
5503	1	1	1	1	1	1	1	1	1	1	1	100	
5504	1	1	1	1	1	1	1	1	1	1	1	100	
5505	1	1	1	1	1	1	1	1	1	1	1	100	
5506	1	1	1	1	1	1	1	1	1	1	1	100	
5507	1	1	1	1	1	1	1	1	1	1	1	100	
5508	1	1	1	1	1	1	1	1	1	1	1	100	
5509	1	1	1	1	1	1	1	1	1	1	1	100	
5510	1	1	1	1	1	1	1	1	1	1	1	100	2
Limit (MHz)												16.326	
Result												Complied	

Channel Bandwidth 40MHz

UNII Detection Bandwidth Result												
Radar Type		1										
Channel Bandwidth (MHz)		40										
Radar Freq. (MHz)	DFS Detection Trials (1=Detection, 0= No Detection)										Detection Rate (%)	Detection Bandwidth (MHz)
	1	2	3	4	5	6	7	8	9	10		
5480	1	1	1	1	1	1	1	1	1	1	100	40
5481	1	1	1	1	1	1	1	1	1	1	100	
5482	1	1	1	1	1	1	1	1	1	1	100	
5483	1	1	1	1	1	1	1	1	1	1	100	
5484	1	1	1	1	1	1	1	1	1	1	100	
5485	1	1	1	1	1	1	1	1	1	1	100	
5486	1	1	1	1	1	1	1	1	1	1	100	
5487	1	1	1	1	1	1	1	1	1	1	100	
5488	1	1	1	1	1	1	1	1	1	1	100	
5489	1	1	1	1	1	1	1	1	1	1	100	
5490	1	1	1	1	1	1	1	1	1	1	100	
5491	1	1	1	1	1	1	1	1	1	1	100	
5492	1	1	1	1	1	1	1	1	1	1	100	
5493	1	1	1	1	1	1	1	1	1	1	100	
5494	1	1	1	1	1	1	1	1	1	1	100	
5495	1	1	1	1	1	1	1	1	1	1	100	
5496	1	1	1	1	1	1	1	1	1	1	100	
5497	1	1	1	1	1	1	1	1	1	1	100	
5498	1	1	1	1	1	1	1	1	1	1	100	
5499	1	1	1	1	1	1	1	1	1	1	100	
5500	1	1	1	1	1	1	1	1	1	1	100	
5501	1	1	1	1	1	1	1	1	1	1	100	
5502	1	1	1	1	1	1	1	1	1	1	100	
5503	1	1	1	1	1	1	1	1	1	1	100	
5504	1	1	1	1	1	1	1	1	1	1	100	
5505	1	1	1	1	1	1	1	1	1	1	100	
5506	1	1	1	1	1	1	1	1	1	1	100	
5507	1	1	1	1	1	1	1	1	1	1	100	
5508	1	1	1	1	1	1	1	1	1	1	100	
5509	1	1	1	1	1	1	1	1	1	1	100	
5510	1	1	1	1	1	1	1	1	1	1	100	
5511	1	1	1	1	1	1	1	1	1	1	100	
5512	1	1	1	1	1	1	1	1	1	1	100	
5513	1	1	1	1	1	1	1	1	1	1	100	
5514	1	1	1	1	1	1	1	1	1	1	100	
5515	1	1	1	1	1	1	1	1	1	1	100	
5516	1	1	1	1	1	1	1	1	1	1	100	
5517	1	1	1	1	1	1	1	1	1	1	100	
5518	1	1	1	1	1	1	1	1	1	1	100	
5519	1	1	1	1	1	1	1	1	1	1	100	
5520	1	1	1	1	1	1	1	1	1	1	100	
Limit (MHz)												33.22
Result												Complied

6.4. Channel Availability Check (CAC)

6.4.1. Channel Availability Check Limit

Channel Availability Check Limit
<input checked="" type="checkbox"/> The EUT shall perform a Channel Availability Check to ensure that there is no radar operating on the channel. After power-up sequence, receive at least 1 minute (60 sec) on the intended operating frequency.

6.4.2. Measuring Instruments

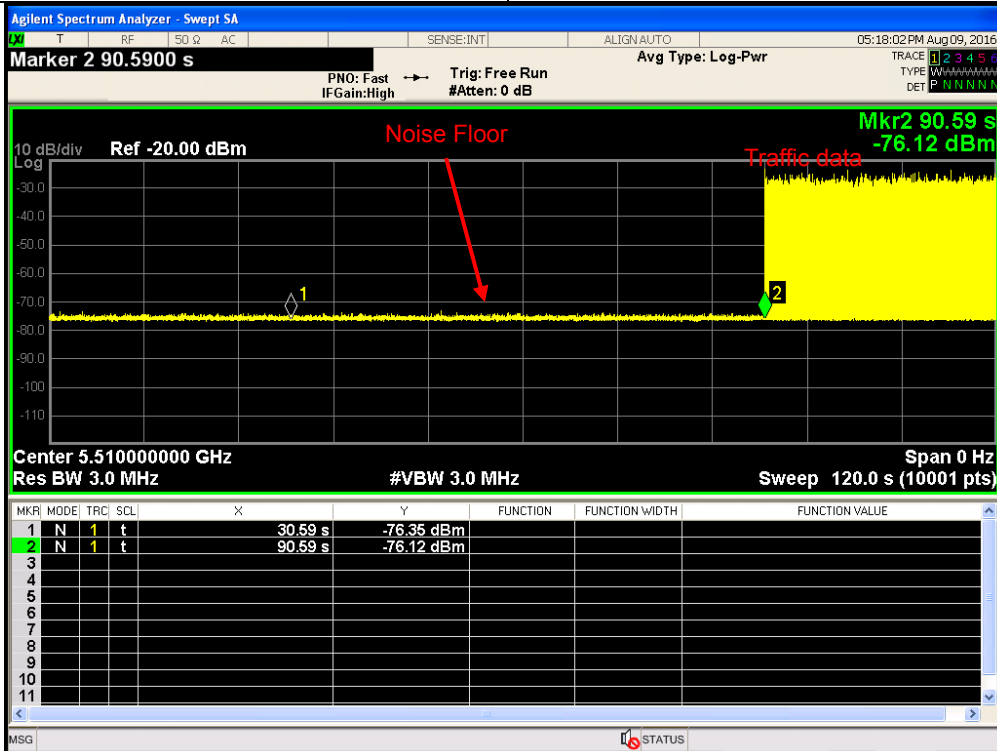
Refer a test equipment and calibration data table in this test report

6.4.3. Test Procedures

Test Method
<input checked="" type="checkbox"/> Refer as KDB905462 D02 UNII DFS Compliance Procedures New Rules v02, clause 7.8.2.1 for Initial Channel Availability Check Time. The EUT does not emit beacon, control, or data signals on the test Channel until the power-up sequence has been completed and the UNII device checks for Radar Waveforms for one minute on the test Channel. This test does not use any Radar Waveforms.
<input checked="" type="checkbox"/> Refer as FCC 06-96 Appendix, clause 7.8.2.2 for Radar Burst at the Beginning of the Channel Availability Check Time. To verify successful radar detection on the selected Channel during a period equal to the Beginning of the Channel Availability Check Time.
<input checked="" type="checkbox"/> Refer as FCC 06-96 Appendix, clause 7.8.2.3 for Radar Burst at the End of the Channel Availability Check Time. To verify successful radar detection on the selected Channel during a period equal to the End of the Channel Availability Check Time.

6.4.4. Test Result of Channel Availability Check Time

Initial Channel Availability Check Time Result					
Modulation Mode	Freq.(MHz)	Radar Test Signal	Power-on Cycle(sec)	CAC Time (sec)	Observation Time (min)
NHT40	5510	N/A	90.59	60	2
Result 120s Timing Plot			Complied		



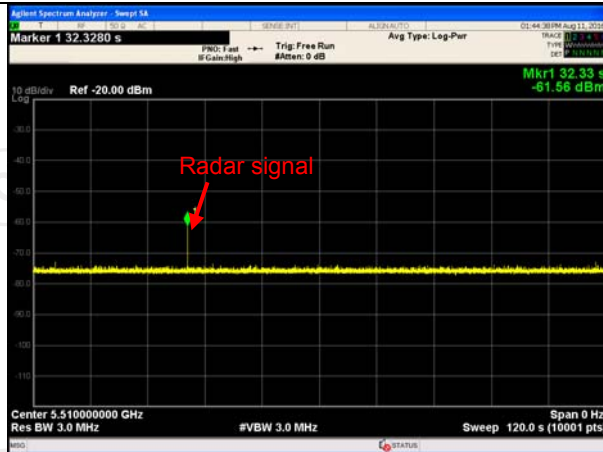
Note 1 : This test does not use any Radar Waveforms.

Note 2 : In the beginning, the EUT started in 40MHz.

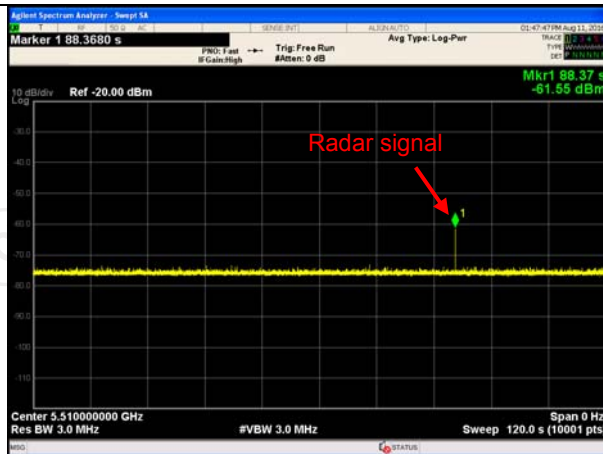
Initial Channel Availability Check Time Result

Modulation Mode	Freq.(MHz)	Radar Type Signal	Beginning CAC of Timing of radar burst(sec)	End CAC of Timing of radar burst(sec)	DFS Triggered (Yes/No)
NHT40	5510	1	32.33	88.37	Yes

Beginning CAC of 120s Timing Plot



End CAC of 120s Timing Plot



6.5. In-service Monitoring

6.5.1. In-service Monitoring Limit

In-service Monitoring Limit	
Channel Move Time	10 sec
Channel Closing Transmission Time	200 ms + an aggregate of 60 ms over remaining 10 sec periods.
Non-occupancy period	Minimum 30 minutes

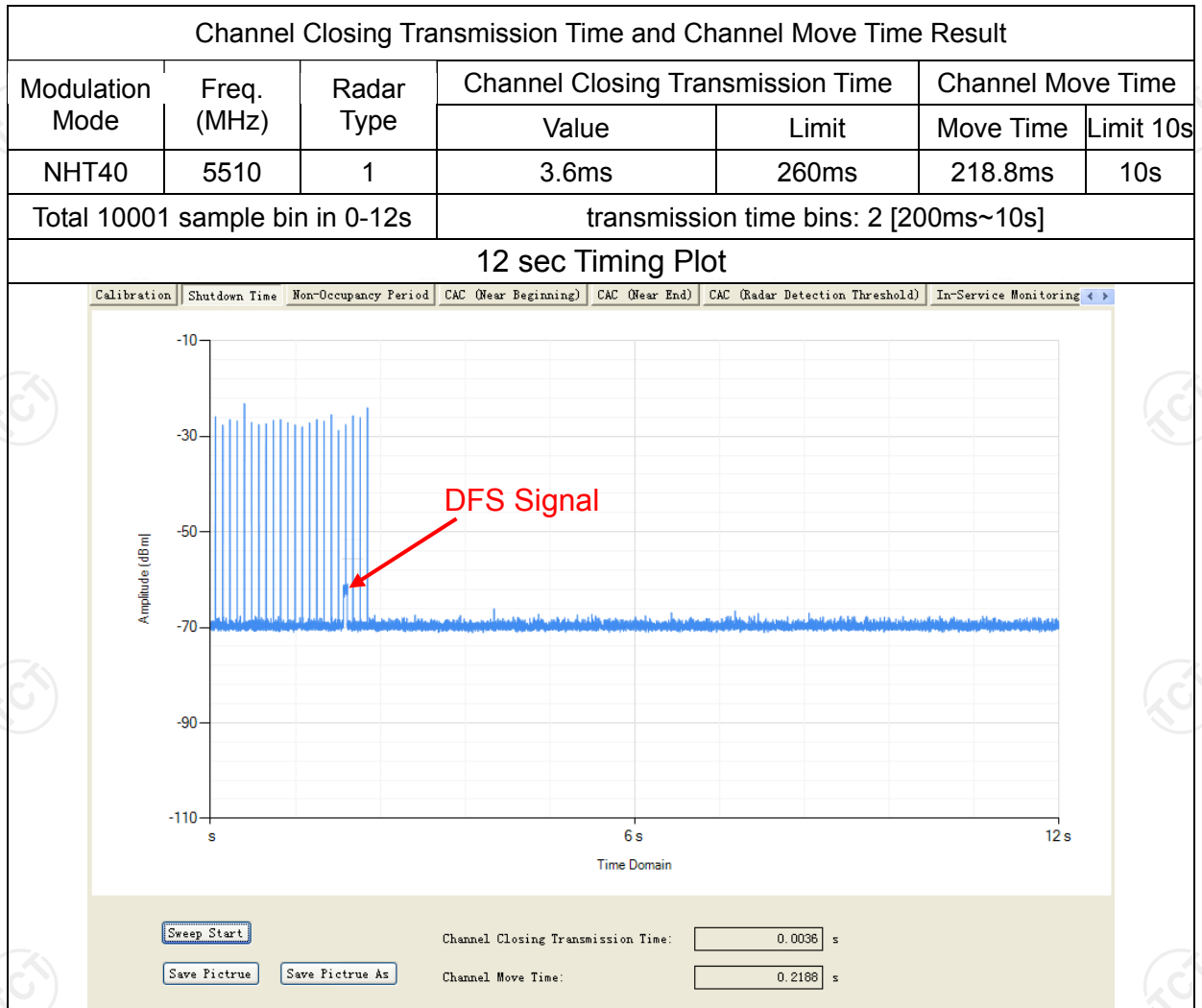
6.5.2. Measuring Instruments

Refer a test equipment and calibration data table in this test report

6.5.3. Test Procedures

Test Method
<p><input checked="" type="checkbox"/> Refer as KDB905462 D02 UNII DFS Compliance Procedures New Rules v02, clause 7.8.3 verified during In-Service Monitoring; Channel Closing Transmission Time, Channel Move Time. Client Device will associate with the EUT. Observe the transmissions of the EUT at the end of the radar Burst on the Operating Channel for duration greater than 10 seconds. Measure and record the transmissions from the EUT during the observation time (Channel Move Time). Compare the Channel Move Time and Channel Closing Transmission Time limits.</p>
<p><input checked="" type="checkbox"/> Refer as KDB905462 D02 UNII DFS Compliance Procedures New Rules v02, clause 8.3 verified during In-Service Monitoring; Channel Closing Transmission Time, Channel Move Time. One 10 sec plot needs to be reported for the Short Pulse Radar Types 1-4 and one for the Long Pulse Radar Type in a 22 sec plot. And zoom-in a 600 ms plot verified channel closing time for the aggregate transmission time starting from 200ms after the end of the radar signal to the completion of the channel move.</p>
<p><input checked="" type="checkbox"/> Refer as KDB905462 D02 UNII DFS Compliance Procedures New Rules v02, clause 7.8.3 verified during In-Service Monitoring; Non-Occupancy Period. Client Device will associate with the EUT. Observe the transmissions of the EUT at the end of the radar Burst on the Operating Channel for duration greater than 10 seconds. Measure and record the transmissions from the EUT during the observation time (Non-Occupancy Period). Compare the Non-Occupancy Period limits.</p>

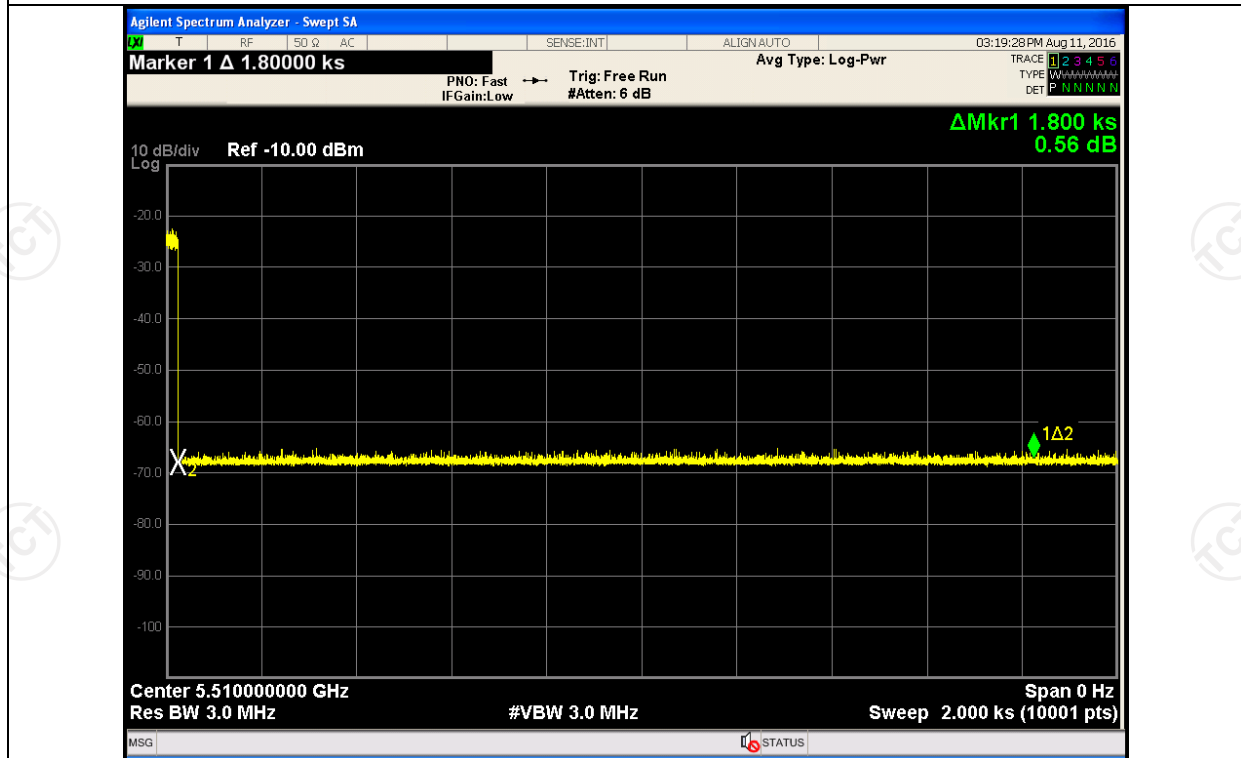
6.5.4. Test Result of In-service Monitoring



Non-Occupancy Period Result

Modulation Mode	Freq. (MHz)	Non-Occupancy Period		
		Measured	Limit	Result
NHT40	5510	>30min	30min	Complied

2000 sec Timing Plot



6.6. Statistical Performance Check

6.6.1. Statistical Performance Check Limit

Radar Type	Minimum Percentage of Successful Detection (Pd)	Minimum Trials
1	60%	30
2	60%	30
3	60%	30
4	60%	30
Aggregate (Radar Types 1-4)	80%	120
5	80%	30
6	70%	30

The percentage of successful detection is calculated by:

$$\frac{\text{Total Waveform Detections}}{\text{Total Waveform Trails}} \times 100 = \text{Probability of Detection Radar Waveform}$$

In addition an aggregate minimum percentage of successful detection across all Short Pulse Radar Types 1-4 is required and is calculated as follows:

$$\frac{\text{Pd1} + \text{Pd2} + \text{Pd3} + \text{Pd4}}{4}$$

6.6.2. Measuring Instruments

Refer a test equipment and calibration data table in this test report

6.6.3. Test Procedures

Test Method
<p><input checked="" type="checkbox"/> Refer as KDB905462 D02 UNII DFS Compliance Procedures New Rules v02, clause 7.8.4 for Statistical Performance Check test. Stream the MPEG test file from the Master Device to the Client Device on the test Channel for the entire period of the test. Observe the transmissions of the UUT at the end of the Burst on the Operating Channel for duration greater than 10 seconds for Short Pulse Radar Types 1-4 and 6 to ensure detection occurs. Then Observe the transmissions of the UUT at the end of the Burst on the Operating Channel for duration greater than 22 seconds for Long Pulse Radar Type 5 to ensure detection occurs. The device can utilize a test mode to demonstrate when detection occurs to prevent the need to reset the device between trial runs.</p>

6.6.4. Test Result

Statistical Performance Check Result – NHT20					
Radar Signal (#)	Test Trail #	Detect Trail #	Pd (%)	Limit Pd (%)	Result
1	30	30	100	60	Complied
2	30	25	83	60	Complied
3	30	29	97	60	Complied
4	30	30	100	60	Complied
Aggregate 1 - 4	120	114	95	80	Complied
5	30	30	100	80	Complied
6	30	30	100	70	Complied

Statistical Performance Check Result – NHT40					
Radar Signal (#)	Test Trail #	Detect Trail #	Pd (%)	Limit Pd (%)	Result
1	30	30	100	60	Complied
2	30	25	83	60	Complied
3	30	30	100	60	Complied
4	30	30	100	60	Complied
Aggregate 1 - 4	120	115	95.83	80	Complied
5	30	30	100	80	Complied
6	30	30	100	70	Complied

6.6.5. Detection Data Sheet for Radar Types 1, 5, and 6

Radar Type	1		5		6	
Trail #	NHT20*1	NHT40*1	NHT20*1	NHT40*1	NHT20*1	NHT40*1
1	1	1	1	1	1	1
2	1	1	1	1	1	1
3	1	1	1	1	1	1
4	1	1	1	1	1	1
5	1	1	1	1	1	1
6	1	1	1	1	1	1
7	1	1	1	1	1	1
8	1	1	1	1	1	1
9	1	1	1	1	1	1
10	1	1	1	1	1	1
11	1	1	1	1	1	1
12	1	1	1	1	1	1
13	1	1	1	1	1	1
14	1	1	1	1	1	1
15	1	1	1	1	1	1
16	1	1	1	1	1	1
17	1	1	1	1	1	1
18	1	1	1	1	1	1
19	1	1	1	1	1	1
20	1	1	1	1	1	1
21	1	1	1	1	1	1
22	1	1	1	1	1	1
23	1	1	1	1	1	1
24	1	1	1	1	1	1
25	1	1	1	1	1	1
26	1	1	1	1	1	1
27	1	1	1	1	1	1
28	1	1	1	1	1	1
29	1	1	1	1	1	1
30	1	1	1	1	1	1
Pd (%)	100	100	100	100	100	100
Note 1: 1=Detection ;0=No Detecti						

6.6.6. Data Sheet for Radar Type 2

Radar Type	2				
Trail #	Pulse Width (us)	PRI (us)	Pulses / Burst	NHT20*1	NHT40*1
1	3.6	170	28	1	1
2	4.7	179	27	1	1
3	4.3	213	29	1	1
4	2.1	200	27	1	0
5	4.5	189	27	0	1
6	2.3	230	28	1	1
7	2.1	155	23	1	1
8	4.2	168	26	1	1
9	1.9	158	24	0	1
10	2	221	23	1	1
11	4	228	28	0	1
12	2.1	189	27	1	1
13	2	228	27	0	1
14	4.9	210	27	1	1
15	3.8	180	27	1	1
16	1.9	190	25	1	1
17	2.9	223	26	1	0
18	1.7	169	26	1	0
19	1.7	207	25	1	1
20	1.7	175	28	1	1
21	1.1	152	29	0	1
22	1.6	168	27	1	1
23	1.8	177	25	1	1
24	2.8	198	27	1	1
25	4	151	27	1	1
26	3	155	28	1	1
27	1.4	188	24	1	0
28	2	178	25	1	1
29	3.3	173	25	1	0
30	2.8	208	28	1	1
Detection Percentage (%)				83	83
Note 1: 1=Detection ;0=No Detection					

6.6.7. Data Sheet for Radar Type 3

Radar Type	3				
Trail #	Pulse Width (us)	PRI (us)	Pulses / Burst	NHT20*1	NHT40*1
1	6.4	390	17	1	1
2	9.1	410	17	1	1
3	9.4	490	17	0	1
4	7.6	395	17	1	1
5	7.9	201	17	1	1
6	9.1	227	16	1	1
7	7.8	477	16	1	1
8	7.2	497	16	1	1
9	7.9	491	16	1	1
10	8.5	304	16	1	1
11	10	443	17	1	1
12	8.1	264	18	1	1
13	7.7	461	17	1	1
14	6.1	242	17	1	1
15	7.8	331	18	1	1
16	7.8	481	17	1	1
17	6.6	325	18	1	1
18	6.6	239	17	1	1
19	6	258	17	1	1
20	6.8	464	18	1	1
21	9.1	288	17	1	1
22	6.1	375	17	1	1
23	8.8	377	17	1	1
24	9.5	293	17	1	1
25	9.1	437	18	1	1
26	6.7	290	17	1	1
27	7.2	481	16	1	1
28	9.4	315	18	1	1
29	6.9	356	17	1	1
30	9.6	385	16	1	1
Detection Percentage (%)				97	100
Note 1: 1=Detection ;0=No Detection					

6.6.8. Data Sheet for Radar Type 4

Radar Type	4				
Trail #	Pulse Width (us)	PRI (us)	Pulses / Burst	NHT20*1	NHT40*1
1	18.2	424	13	1	1
2	17	283	15	1	1
3	11.4	386	12	1	1
4	14.2	471	13	1	1
5	13.9	399	15	1	1
6	18.7	252	14	1	1
7	11.4	370	12	1	1
8	17.5	283	15	1	1
9	14.1	391	16	1	1
10	16.4	229	15	1	1
11	15.8	327	14	1	1
12	18.8	317	15	1	1
13	17.7	433	13	1	1
14	16.3	312	15	1	1
15	15	486	16	1	1
16	16.9	393	14	1	1
17	19.3	354	12	1	1
18	15.2	353	13	1	1
19	14	478	13	1	1
20	16	408	16	1	1
21	16.4	317	12	1	1
22	19.2	464	14	1	1
23	16.2	301	12	1	1
24	11.1	226	14	1	1
25	14	315	16	1	1
26	15.7	293	12	1	1
27	19.3	398	14	1	1
28	15.7	324	15	1	1
29	15.4	394	13	1	1
30	15.5	376	13	1	1
Detection Percentage (%)				100	100
Note 1: 1=Detection ;0=No Detection					

6.6.9. Parameter Data Sheet for Radar Type 5

Statistical Performance Check Result						
Radar Test Signal (#)		5		Trail #	1	
Burst	Number of Pulses	Pulse Width	Chirp Width (MHz)	Pulse 1-to-2 Spacing	Pulse 2-to-3 Spacing	Start Time (msec)
1	1	62.3	8			346
2	2	51.2	15	1745		2705
3	3	93.6	5	957	1634	3674
4	3	68.2	12	1668	1573	4884
5	3	83.1	8	1188	1888	6876
6	1	56.7	18			7876
7	2	60.6	18	1874		10409
8	3	75.5	13	1263	1683	11878

Statistical Performance Check Result						
Radar Test Signal (#)		5		Trail #	2	
Burst	Number of Pulses	Pulse Width	Chirp Width (MHz)	Pulse 1-to-2 Spacing	Pulse 2-to-3 Spacing	Start Time (msec)
1	1	99.6	13			217
2	2	54.8	15	1727		2315.333
3	3	91.1	15	1120	1826	3607.666
4	2	76.2	7	1638		4476.999
5	1	88.9	13			5592.332
6	1	83	9			7558.665
7	1	83.9	12			8319.998
8	2	55.9	15	1613		9778.331
9	1	96.1	13	9		11445.664

Statistical Performance Check Result						
Radar Test Signal (#)		5		Trail #		3
Burst	Number of Pulses	Pulse Width	Chirp Width (MHz)	Pulse 1-to-2 Spacing	Pulse 2-to-3 Spacing	Start Time (msec)
1	2	82	6	1246		1017
2	1	93.2	13			1960
3	2	61.3	13	1175		2727
4	1	52.8	8			4424
5	3	70.6	19	929	1076	4915
6	1	80.3	17			6325
7	1	83.2	15			7879
8	2	94	9	1805		9288
9	2	67	8	1486		10449
10	1	56.4	20			11613

Statistical Performance Check Result						
Radar Test Signal (#)		5		Trail #		4
Burst	Number of Pulses	Pulse Width	Chirp Width (MHz)	Pulse 1-to-2 Spacing	Pulse 2-to-3 Spacing	Start Time (msec)
1	3	90.5	8	1149	1612	35
2	3	54.5	8	1094	1525	2104.909
3	1	57.1	18			3008.818
4	2	98.6	20	1292		3355.727
5	2	62.9	12	1433		5039.636
6	1	71.1	15			6162.545
7	1	96.7	5			7256.454
8	1	64.3	5			8120.363
9	3	61.2	8	1075	1524	9171.272
10	2	79.2	13	1877		10615.181
11	2	79.3	20	1313		11197.09

Statistical Performance Check Result						
Radar Test Signal (#)		5		Trail #		5
Burst	Number of Pulses	Pulse Width	Chirp Width	Pulse 1-to-2	Pulse 2-to-3	Start Time (msec)
1	1	89.5	13			20
2	3	71.8	11	1446	1549	1117
3	3	53.7	15	1100	1517	2485
4	2	99.3	11	1571		3334
5	3	56.8	6	1594	1280	4468
6	1	97.4	11			5213
7	2	67.6	13	1831		6014
8	3	77.1	8	1683	1337	7267
9	1	98.5	17			8544
10	3	58.3	13	1924	1829	9159
11	1	98.4	14			10380
12	1	79.3	11			11257

Statistical Performance Check Result						
Radar Test Signal (#)		5		Trail #		6
Burst	Number of Pulses	Pulse Width	Chirp Width (MHz)	Pulse 1-to-2 Spacing	Pulse 2-to-3 Spacing	Start Time (msec)
1	2	53.8	14	1631		768
2	1	90	17			1453.077
3	3	87.2	18	1115	1297	2003.154
4	2	82	11	1728		3661.231
5	3	69.8	7	1641	1779	3888.308
6	2	63.1	20	1836		4946.385
7	1	59.8	6			6033.462
8	3	78.5	19	941	1921	7007.539
9	1	85.7	6			7603.616
10	3	67.7	9	1834	1450	8841.693
11	2	84.5	15	1376		9512.77
12	2	99.3	13	1570		10639.847
13	2	80.2	8	1088		11143.924

Statistical Performance Check Result						
Radar Test Signal (#)		5		Trail #	7	
Burst	Number of Pulses	Pulse Width	Chirp Width (MHz)	Pulse 1-to-2 Spacing	Pulse 2-to-3 Spacing	Start Time (msec)
1	3	80.8	10	1061	1124	389
2	2	81	9	1479		1091.143
3	2	87.6	17	1247		2291.286
4	2	94.7	18	1041		3143.429
5	2	78	18	1267		3741.572
6	1	95.5	14			4337.715
7	2	97.6	15	1215		5199.858
8	3	88	9	1349	1598	6171.001
9	2	69.7	17	1711		7626.144
10	2	96.5	17	1431		7882.287
11	2	96.9	6	1871		8695.43
12	3	66.4	10	1824	1468	10194.573
13	1	78.8	10			10822.716
14	3	87.6	6	1080	1159	11856.859

Statistical Performance Check Result						
Radar Test Signal (#)		5		Trail #	8	
Burst	Number of Pulses	Pulse Width	Chirp Width (MHz)	Pulse 1-to-2 Spacing	Pulse 2-to-3 Spacing	Start Time (msec)
1	2	71.8	14	1432		573
2	2	65.9	19	1762		1114
3	2	74.7	6	1754		1977
4	3	81.7	5	1133	974	2616
5	3	57.8	14	1176	1712	3329
6	1	80.6	6			4341
7	3	99.3	17	1268	1876	4965
8	1	79.8	12			6218
9	3	83	11	990	1738	6989
10	3	71.5	11	1473	1255	7206
11	1	77.4	11			8127
12	2	84.8	12	1390		9315
13	2	64.6	12	1653		9748
14	2	92.9	12	1881		10919
15	1	71.3	6			11501

Statistical Performance Check Result						
Radar Test Signal (#)		5		Trail #	9	
Burst	Number of Pulses	Pulse Width	Chirp Width (MHz)	Pulse 1-to-2 Spacing	Pulse 2-to-3 Spacing	Start Time (msec)
1	2	55.4	9	1318		383
2	2	80.8	18	1710		1284
3	1	88.8	9			1995
4	2	78	12	1818		2342
5	1	78.5	12			3108
6	2	55	13	1219		3873
7	2	75.9	20	1004		4623
8	2	70.9	7	1820		5796
9	2	71.7	18	1559		6476
10	2	73.9	19	1232		6985
11	1	59.2	20			7924
12	1	55.7	9			8641
13	3	60.9	12	1144	1370	9198
14	2	60.8	14	990		9766
15	3	60.6	19	1526	1326	11195
16	2	89	5	1029		11381

Statistical Performance Check Result						
Radar Test Signal (#)		5		Trail #	10	
Burst	Number of Pulses	Pulse Width	Chirp Width (MHz)	Pulse 1-to-2 Spacing	Pulse 2-to-3 Spacing	Start Time (msec)
1	2	72.1	14	1119		488
2	3	81.4	13	1142	961	1156.882
3	3	92.9	18	991	1147	1976.764
4	3	81.3	18	1793	1369	2402.646
5	3	76.4	20	1005	1793	2902.528
6	1	61.6	18			4032.41
7	1	66.6	19			4416.292
8	1	53.7	12			5357.174
9	2	58	8	1477		5754.056
10	2	64	18	1791		6493.938
11	2	80.3	12	1304		7574.82
12	3	77.3	5	1039	1668	8136.702
13	2	97.6	11	1593		8633.584
14	1	73	6			9323.466
15	3	65.1	8	1097	1927	9984.348
16	2	59.5	13	1569		10770.23
17	1	88.2	19			11947.112

Statistical Performance Check Result						
Radar Test Signal (#)		5		Trail #		11
Burst	Number of Pulses	Pulse Width	Chirp Width (MHz)	Pulse 1-to-2 Spacing	Pulse 2-to-3 Spacing	Start Time (msec)
1	2	56.1	12	1219		273
2	1	83.3	7			964.666
3	3	79.6	17	1218	1897	1492.333
4	2	95.8	7	1672		2480
5	2	79.6	8	920		3053.667
6	2	88.9	11	1779		3338.334
7	2	81.4	8	1645		4201.001
8	2	92	6	1454		4746.668
9	3	96	13	1518	1121	5525.335
10	2	65.6	11	1798		6349.002
11	2	98.7	5	1360		7082.669
12	2	52.9	15	1140		7985.336
13	2	76.5	8	1032		8092.003
14	3	73.8	18	1719	1383	9168.67
15	3	83.7	10	1270	1216	9676.337
16	2	89.6	10	1141		10108.004
17	2	67.2	20	1455		10938.671
18	3	55.7	14	1444	1475	11899.338

Statistical Performance Check Result						
Radar Test Signal (#)		5		Trail #	12	
Burst	Number of Pulses	Pulse Width	Chirp Width (MHz)	Pulse 1-to-2 Spacing	Pulse 2-to-3 Spacing	Start Time (msec)
1	2	70.6	15	1040		575
2	2	72.9	13	1460		809.579
3	3	88.9	5	1250	1629	1454.158
4	3	60.3	20	1757	1822	2362.737
5	3	92.1	19	1845	1198	3002.316
6	1	73	5			3689.895
7	1	50.4	15			3858.474
8	1	66.4	10			4754.053
9	1	79.1	18			5489.632
10	1	71.6	20			6108.211
11	2	95.6	13	1229		6813.79
12	1	74.4	9			7310.369
13	3	55.6	17	1263	1724	7701.948
14	2	78.3	13	1507		8247.527
15	3	54.1	13	1325	1249	9034.106
16	2	67.1	18	1584		9784.685
17	2	65.8	9	1195		10348.264
18	2	50.1	12	1755		10784.843
19	2	87.7	18	1359		11548.422

Statistical Performance Check Result						
Radar Test Signal (#)		5		Trail #		13
Burst	Number of Pulses	Pulse Width	Chirp Width (MHz)	Pulse 1-to-2 Spacing	Pulse 2-to-3 Spacing	Start Time (msec)
1	3	79.5	7	1808	1550	274
2	2	76.7	20	1632		1173
3	3	85.9	12	1305	1496	1218
4	3	86.6	14	968	1172	1933
5	2	74.9	14	1348		2448
6	3	82.2	20	1692	1310	3156
7	2	53.9	13	1342		3645
8	3	62.7	15	1839	1651	4276
9	2	86.2	6	1165		4891
10	1	63.1	11			5791
11	2	82.4	6	1416		6107
12	1	95.8	18			6848
13	2	75.7	9	993		7682
14	3	70.1	18	1563	1020	8154
15	3	85.8	13	1420	1084	8846
16	1	63.2	7			9265
17	1	75.1	11			9747
18	2	69.5	5	1802		10456
19	1	51.8	19			11222
20	2	62.3	5	1449		11704

Statistical Performance Check Result						
Radar Test Signal (#)		5		Trail #		14
Burst	Number of Pulses	Pulse Width	Chirp Width (MHz)	Pulse 1-to-2 Spacing	Pulse 2-to-3 Spacing	Start Time (msec)
1	3	74.9	5	1314	1466	1289
2	2	83.9	19	1442		2936
3	2	55.8	6	1147		3240
4	2	59.4	6	1490		5955
5	2	78.2	15	1665		7312
6	2	57.3	15	1357		7764
7	2	76.2	11	1651		9255
8	3	59	7	1460	1109	11910

Statistical Performance Check Result						
Radar Test Signal (#)		5		Trail #		15
Burst	Number of Pulses	Pulse Width	Chirp Width (MHz)	Pulse 1-to-2 Spacing	Pulse 2-to-3 Spacing	Start Time (msec)
1	3	77.7	19	1046	1568	17
2	2	98.2	20	1628		2210.333
3	2	95.3	8	1540		3732.666
4	2	78.8	15	1341		4821.999
5	2	52.8	20	988		6353.332
6	2	65.2	9	1480		7268.665
7	2	99.5	10	1867		8883.998
8	2	79.5	13	1148		9675.331
9	3	50.6	13	1030	1525	11987.664

Statistical Performance Check Result						
Radar Test Signal (#)		5		Trail #		16
Burst	Number of Pulses	Pulse Width	Chirp Width (MHz)	Pulse 1-to-2 Spacing	Pulse 2-to-3 Spacing	Start Time (msec)
1	2	97.5	11	1357		764
2	2	91.8	13	1896		1498
3	1	78.5	5			3517
4	1	60.1	11			4669
5	2	96.2	10	975		5957
6	2	56.6	18	1626		6701
7	1	77.1	20			7523
8	2	96.3	8	1682		8707
9	2	52.2	13	1017		9817
10	1	92.8	15			11116

Statistical Performance Check Result						
Radar Test Signal (#)		5		Trail #		17
Burst	Number of Pulses	Pulse Width	Chirp Width (MHz)	Pulse 1-to-2 Spacing	Pulse 2-to-3 Spacing	Start Time (msec)
1	2	57.3	8	1220		792
2	3	73.1	5	1717	1679	1935.909
3	2	54.1	14	967		2293.818
4	2	98.8	19	1137		3987.727
5	3	85.5	8	1068	960	4664.636
6	2	78.5	7	1387		6281.545
7	2	77.9	12	1869		7051.454
8	1	81.9	10			8185.363
9	1	50.4	9			9191.272
10	1	75.2	8			10608.181
11	2	92.7	7	1770		11876.09

Statistical Performance Check Result						
Radar Test Signal (#)		5		Trail #		18
Burst	Number of Pulses	Pulse Width	Chirp Width (MHz)	Pulse 1-to-2 Spacing	Pulse 2-to-3 Spacing	Start Time (msec)
1	2	79.1	6	1042		793
2	3	55.7	9	1327	1744	1159
3	1	95	20			2734
4	1	88.4	5			3523
5	1	92.3	15			4546
6	1	93.6	6			5208
7	2	95.1	12	1044		6894
8	1	59.5	17			7666
9	2	98.7	17	1422		8640
10	2	65.1	5	1104		9320
11	1	60.2	5			10060
12	1	88.7	8			11823

Statistical Performance Check Result						
Radar Test Signal (#)		5		Trail #		19
Burst	Number of Pulses	Pulse Width	Chirp Width (MHz)	Pulse 1-to-2 Spacing	Pulse 2-to-3 Spacing	Start Time (msec)
1	1	53.9	10			226
2	2	82.6	13	992		1777.077
3	1	87.7	8			2149.154
4	3	69	12	1696	1606	3297.231
5	1	68.6	12			3912.308
6	3	76.5	13	1333	1468	5004.385
7	2	95.8	17	1380		5595.462
8	2	55.6	19	1147		6795.539
9	2	78.6	14	1268		7512.616
10	2	65.4	17	1231		9220.693
11	2	76.6	18	1883		9748.77
12	1	93.2	6			0749.847
13	2	50.2	13	1836		11137.924

Statistical Performance Check Result						
Radar Test Signal (#)		5		Trail #		20
Burst	Number of Pulses	Pulse Width	Chirp Width (MHz)	Pulse 1-to-2 Spacing	Pulse 2-to-3 Spacing	Start Time (msec)
1	1	60.9	13			142
2	2	81.7	15	1831		1379.143
3	2	78.5	5	1396		2504.286
4	2	98.2	6	1652		2574.429
5	1	64.1	12			3842.572
6	3	53	18	1862	1902	4442.715
7	2	62.3	15	1490		5390.858
8	2	87	11	1411		6576.001
9	2	78.4	8	1090		7594.144
10	2	87.2	7	967		8057.287
11	3	71	13	1662	1841	8676.43
12	2	77.2	5	1557		10029.573
13	1	94.4	15			10393.716
14	1	90.6	13			11648.859

Statistical Performance Check Result						
Radar Test Signal (#)		5		Trail #		21
Burst	Number of Pulses	Pulse Width	Chirp Width (MHz)	Pulse 1-to-2 Spacing	Pulse 2-to-3 Spacing	Start Time (msec)
1	3	76.5	8	1870	1326	385
2	2	95.3	13	1162		873
3	3	58.9	9	1586	1909	2342
4	2	73.1	13	1460		2730
5	2	73.1	12	1488		3225
6	2	75.1	5	1331		4418
7	3	98.5	11	936	1532	5014
8	3	72.5	13	1110	1903	5987
9	3	67.4	12	1567	1513	6480
10	2	76.1	12	1005		7477
11	2	94.3	17	1413		8314
12	2	72.8	12	1778		8866
13	2	90.9	14	1793		9747
14	3	94.8	11	1012	1742	10841
15	3	95	12	912	1641	11809

Statistical Performance Check Result						
Radar Test Signal (#)		5		Trail #		22
Burst	Number of Pulses	Pulse Width	Chirp Width (MHz)	Pulse 1-to-2 Spacing	Pulse 2-to-3 Spacing	Start Time (msec)
1	1	96.7	9			308
2	2	78.3	13	1045		777
3	1	56.5	12			1574
4	3	88.5	14	1119	1020	2879
5	2	62.4	9	1436		3548
6	2	78.2	5	1147		4091
7	3	76.8	14	1069	1575	4860
8	2	91.6	18	978		5852
9	2	93.7	5	1130		6623
10	2	97.4	8	1100		7006
11	3	90.1	6	1629	1375	7608
12	2	79.9	18	1809		8433
13	2	83	10	1370		9477
14	2	89.1	13	1239		10234
15	2	58.3	8	1321		10776
16	1	85.2	13			11272

Statistical Performance Check Result						
Radar Test Signal (#)		5		Trail #		23
Burst	Number of Pulses	Pulse Width	Chirp Width (MHz)	Pulse 1-to-2 Spacing	Pulse 2-to-3 Spacing	Start Time (msec)
1	3	60	10	1097	1748	56
2	3	66.3	13	1391	1430	1126.882
3	2	88.5	15	1040		1994.764
4	2	72.1	8	1526		2278.646
5	1	72.3	8			3273.528
6	2	67.3	7	1022		3577.41
7	2	56.1	12	1325		4896.292
8	1	83.5	11			5636.174
9	3	99.4	13	1490	938	6052.056
10	1	54.2	12			6478.938
11	3	92.7	17	1251	1631	7423.82
12	3	95.1	17	1741	1162	7821.702
13	2	84	9	1597		8637.584
14	1	68.5	18			9688.466
15	1	76.5	20			10067.348
16	3	86.6	11	1774	1875	11045.23
17	2	62.2	9	1563		11786.112

Statistical Performance Check Result						
Radar Test Signal (#)		5		Trail #		24
Burst	Number of Pulses	Pulse Width	Chirp Width (MHz)	Pulse 1-to-2 Spacing	Pulse 2-to-3 Spacing	Start Time (msec)
1	1	86.6	19			621
2	2	95.3	17	926		794.666
3	1	76.2	12			1584.333
4	3	71.4	19	1287	1404	2269
5	3	51.7	12	1564	1339	3299.667
6	2	77	5	1899		3948.334
7	1	87.5	12			4375.001
8	3	59	17	1327	1615	5276.668
9	2	78.3	15	1551		5881.335
10	2	89.7	5	1718		6456.002
11	2	92.1	7	1403		6678.669
12	2	97.3	14	1338		7929.336
13	3	80.3	20	1354	1563	8484.003
14	1	98.2	8			9094.67
15	3	94.4	13	1795	1829	9845.337
16	2	90.4	13	1105		10342.004
17	2	73.6	19	1787		10958.671
18	1	82.9	7			11951.338

Statistical Performance Check Result						
Radar Test Signal (#)		5		Trail #		25
Burst	Number of Pulses	Pulse Width	Chirp Width (MHz)	Pulse 1-to-2 Spacing	Pulse 2-to-3 Spacing	Start Time (msec)
1	1	90	18			173
2	1	65.3	19			876.579
3	2	82.6	10	1756		1390.158
4	2	93.9	18	1557		2181.737
5	2	50.5	13	1479		2808.316
6	1	68	7			3333.895
7	3	88.4	11	1244	1076	4357.474
8	3	66.8	11	1288	1909	4869.053
9	2	88	12	1450		5579.632
10	3	51.1	6	1797	1935	5879.211
11	2	93.8	13	1073		6499.79
12	1	83.5	10			7453.369
13	2	96.9	12	1047		7845.948
14	3	87.2	18	1521	1450	8453.527
15	2	60.1	8	1545		9133.106
16	3	98	10	1842	1402	10027.685
17	3	57	19	1665	1732	10248.264
18	1	74.3	14			10767.843
19	2	57.8	10	1576		11977.422

Statistical Performance Check Result						
Radar Test Signal (#)		5		Trail #		26
Burst	Number of Pulses	Pulse Width	Chirp Width (MHz)	Pulse 1-to-2 Spacing	Pulse 2-to-3 Spacing	Start Time (msec)
1	2	92.8	9	1222		531
2	2	52.4	8	1547		768
3	3	56.8	7	1158	1184	1393
4	1	91.2	7			2365
5	3	61.2	10	1558	1664	2787
6	3	62	7	1518	1656	3391
7	2	69	5	1531		3927
8	2	67.3	18	1064		4225
9	1	94.1	5			4878
10	2	76	17	1190		5622
11	2	81.9	12	1815		6096
12	2	57.9	8	1594		6877
13	3	68.3	19	1427	1540	7241
14	2	53.3	7	1713		7848
15	2	85.3	15	1136		8448
16	1	65.3	20			9057
17	3	79.8	20	923	1259	9648
18	2	56.9	20	1357		10683
19	2	93	9	1686		10873
20	2	82.8	10	944		11752

		Statistical Performance Check Result				
Radar Test Signal (#)		5		Trail #	27	
Burst	Number of Pulses	Pulse Width	Chirp Width (MHz)	Pulse 1-to-2 Spacing	Pulse 2-to-3 Spacing	Start Time (msec)
1	3	50.9	11	1106	1077	1293
2	2	77.8	18	1836		2735
3	3	60.7	5	1069	1635	4092
4	2	77.2	13	1916		5843
5	2	91.6	13	1465		7466
6	2	56.8	17	1783		7876
7	1	59.5	20			9131
8	1	66.5	12			11524

		Statistical Performance Check Result				
Radar Test Signal (#)		5		Trail #	28	
Burst	Number of Pulses	Pulse Width	Chirp Width (MHz)	Pulse 1-to-2 Spacing	Pulse 2-to-3 Spacing	Start Time (msec)
1	2	72	9	1092		965
2	2	89.2	6	1550		2559.333
3	1	81.2	12			2943.666
4	2	80.6	15	1616		4457.999
5	2	62.8	10	1812		6081.332
6	1	71	8			7100.665
7	2	69.3	6	1027		9110.998
8	2	77.2	13	1076		9971.331
9	2	65.4	5	1582		10944.664

Statistical Performance Check Result						
Radar Test Signal (#)		5		Trail #	29	
Burst	Number of Pulses	Pulse Width	Chirp Width (MHz)	Pulse 1-to-2 Spacing	Pulse 2-to-3 Spacing	Start Time (msec)
1	1	51.5	19			151
2	1	82.3	13			2271
3	3	78.3	8	1115	1740	3046
4	2	99	14	1101		4309
5	3	98.8	7	1819	945	5356
6	2	80.9	19	922		6567
7	2	64	12	953		7781
8	1	79	20			9198
9	1	68	8			9712
10	2	50.4	13	1587		10826

Statistical Performance Check Result						
Radar Test Signal (#)		5		Trail #	30	
Burst	Number of Pulses	Pulse Width	Chirp Width (MHz)	Pulse 1-to-2 Spacing	Pulse 2-to-3 Spacing	Start Time (msec)
1	3	57.8	5	1324	1716	82
2	2	70.1	20	1733		1677.909
3	2	95.2	13	1188		2970.818
4	3	84.6	20	1042	1259	4293.727
5	3	96.5	7	1329	1596	4379.636
6	2	84.3	15	1606		6162.545
7	3	53.5	19	1783	1458	7283.454
8	3	74.9	5	1599	1891	8102.363
9	3	53.8	7	1494	1467	8979.272
10	2	60.5	14	1319		10282.181
11	1	73.3	10			11754.09

*****END OF REPORT*****