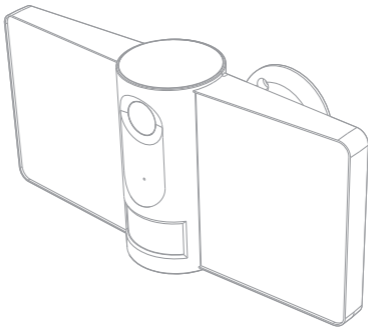


# Flight 1S

ORIGINALITY DESIGN SMART – AND BEAUTIFUL



## QUICK GUIDE



## What's in the box

Consult the checklist below for all components.



Flight 1S



Bracket



A x 3

B x 3

Bracket screws



Mounting bracket



Wire Nuts



Pin

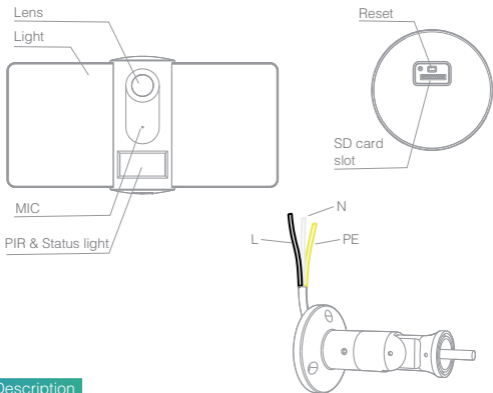


Screwdriver



User Manual

## Introduction



## Description

Power AC 100~240V

- Status light
- Red light solids on: the camera network is abnormal
  - Blinking red light: awaiting WiFi connecting
  - Blue light solids on: camera running correctly
  - Blinking blue light: currently connecting

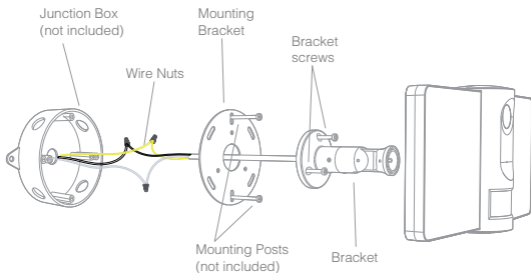
Microphone Captures sounds for your video

SD card slot Supports local SD Card storage (Max.128G)

Reset Press and hold the 'reset' for 5 seconds to reset the device(if you have modified settings, they will return to factory defaults)

Light Turn the light on/off manually or automatically

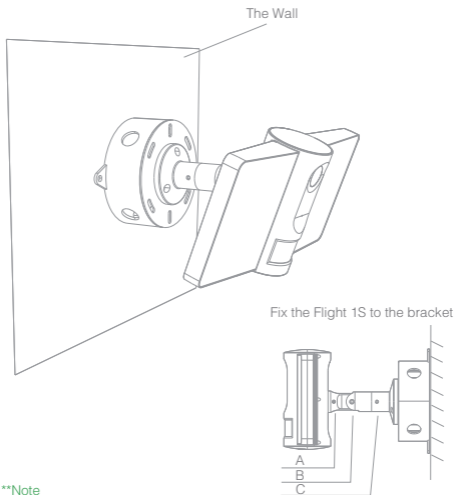
## Install



## CAUTION

- 1.AC 90~250V Power connection.
- 2.Disconnect Power before operation.Use your home's circuit breaker to switch off power.This protects you and your camera.

## Install



### \*\*Note

- A. Fix the camera
- B. Adjust the angle
- C. Adjust the direction and fix the camera.

## Connect

### Download

SmartLife is available for both iOS and Android OS. Search the name 'SmartLife' in App Store or Google Play, or scan the QR-Code to download the App.

• Support



Download App (IOS/Android)

### Add device

Log in the SmartLife, select "Add Device", and add the smart camera to the APP according to the screen tips(Make the smart camera close to the router when configuring).



**NOTE:** If you need to re-select the WiFi network, please press and hold the "RESET" button for 5 seconds, the device will restart, and the indicator will be flashing red.

## Functions

### Lighting control

You can turn the light on or off with time setting or PIR.

### Full-duplex audio

You can see and hear the visitor in your App from the camera.

### PIR

When the camera detects someone stopping by, it sends an alarm message to your cell phone.

### Record

Using SD card or Opening the Cloud-Storage Service, to keep recording for every moment.

### Day & Night

Powerful night vision means no interruptions, even in complete darkness.



Daytime



Night

### **FCC Statement**

Any Changes or modifications not expressly approved by the party responsible for compliance could void the user's authority to operate the equipment.

This device complies with part 15 of the FCC Rules. Operation is subject to the following two conditions:

- (1) This device may not cause harmful interference, and
- (2) This device must accept any interference received, including interference that may cause undesired operation.

FCC Radiation Exposure Statement:

This equipment complies with FCC radiation exposure limits set forth for an uncontrolled environment. This equipment should be installed and operated with minimum distance 20cm between the radiator & your body.

### **IMPORTANT NOTE:**

Note: This equipment has been tested and found to comply with the limits for a Class B digital device, pursuant to part 15 of the FCC Rules. These limits are designed to provide reasonable protection against harmful interference in a residential installation. This equipment generates, uses and can radiate radio frequency energy and, if not installed and used in accordance with the instructions, may cause harmful interference to radio communications. However, there is no guarantee that interference will not occur in a particular installation. If this equipment does cause harmful interference to radio or television reception, which can be determined by turning the equipment off and on, the user is encouraged to try to correct the interference by one or more of the following measures:

- Reorient or relocate the receiving antenna.
- Increase the separation between the equipment and receiver.
- Connect the equipment into an outlet on a circuit different from that to which the receiver is connected.
- Consult the dealer or an experienced radio/TV technician for help.