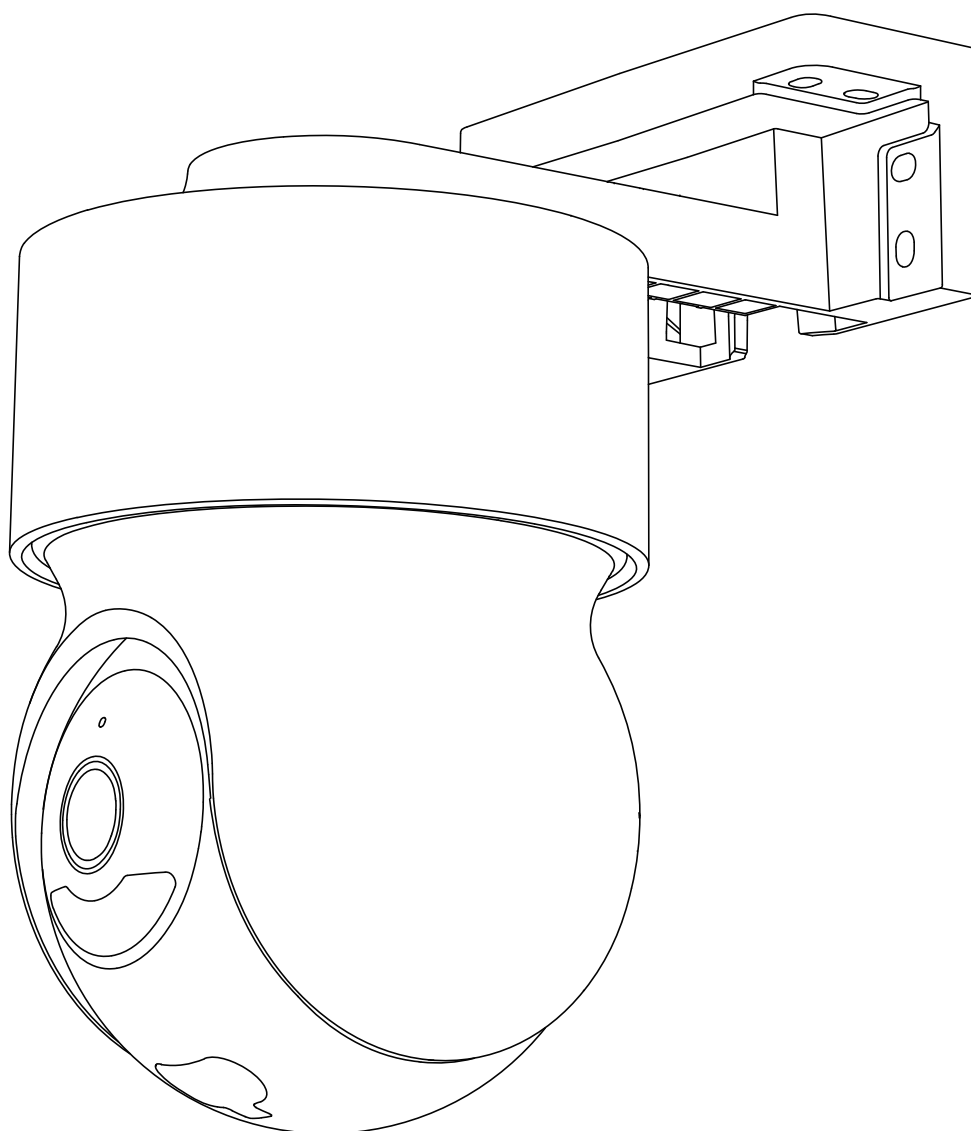


Speed 16S

ORIGINALITY DESIGN SMART - AND BEAUTIFUL

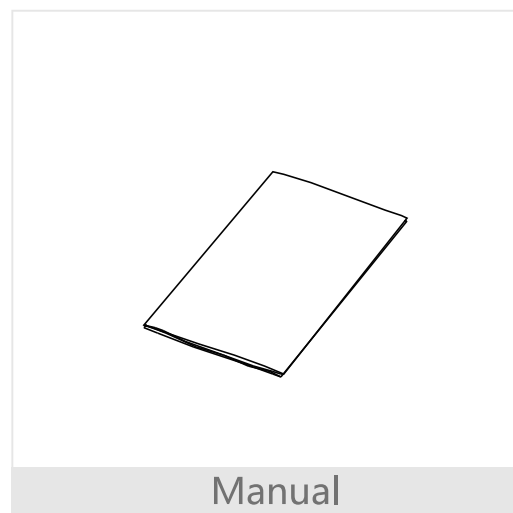
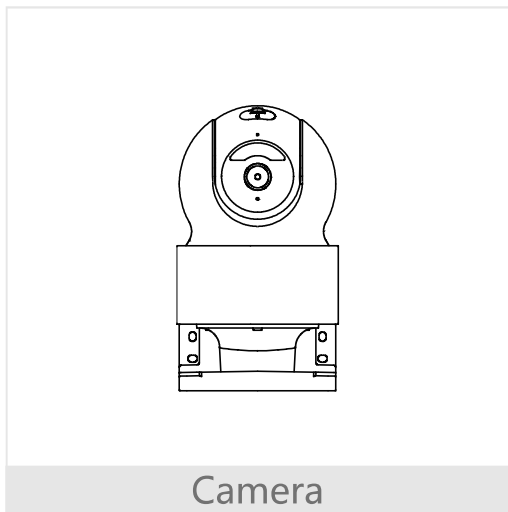


QUICK GUIDE

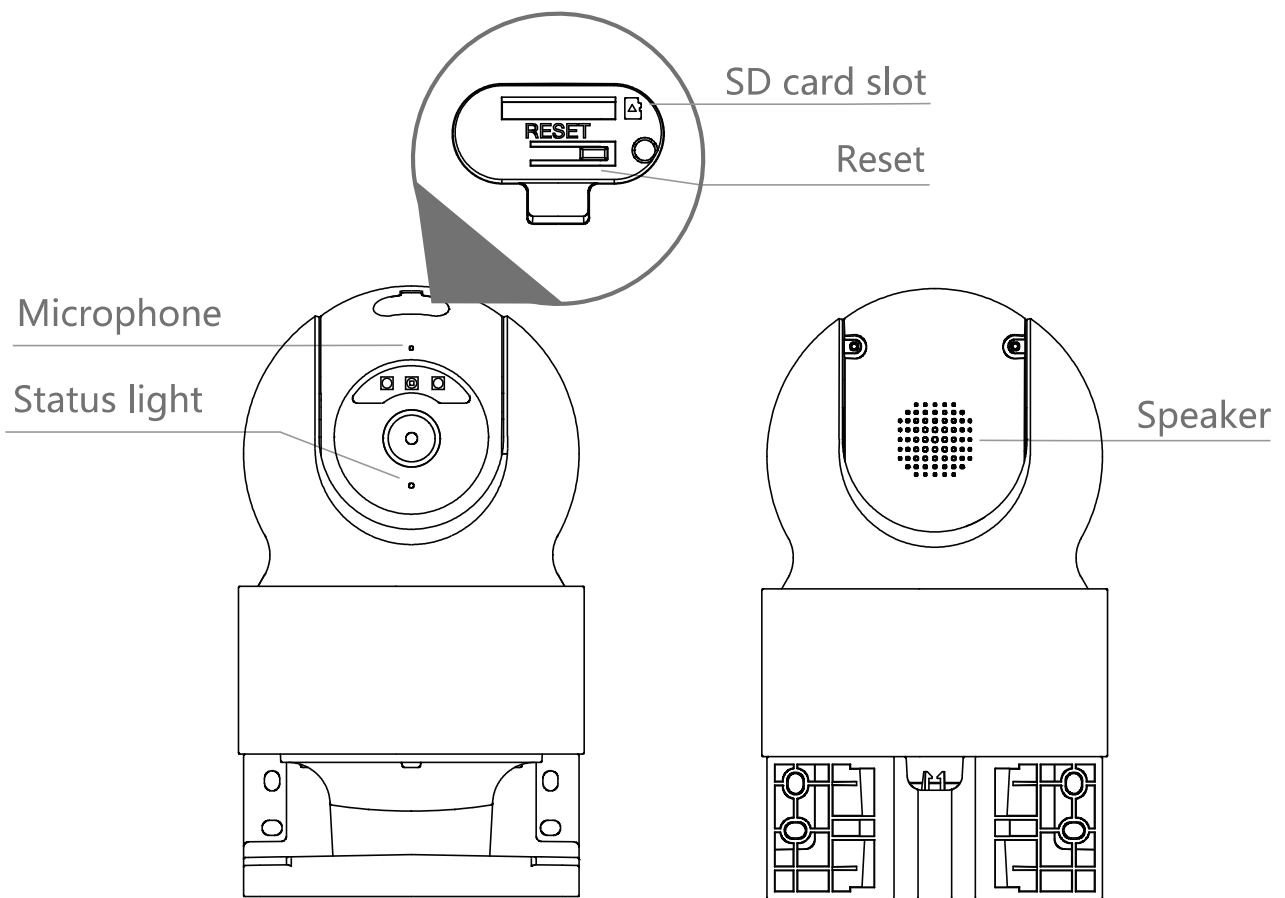


What's in the box

Please consult this checklist for all parts.



Description



Power

DC12V/1A

- Blinking red light: wait for network connection (slow)
connecting the network (fast)

Status light

- Solid blue light on: camera is working correctly
- Solid red light on: camera is malfunctional

Microphone

Capture sound for your video

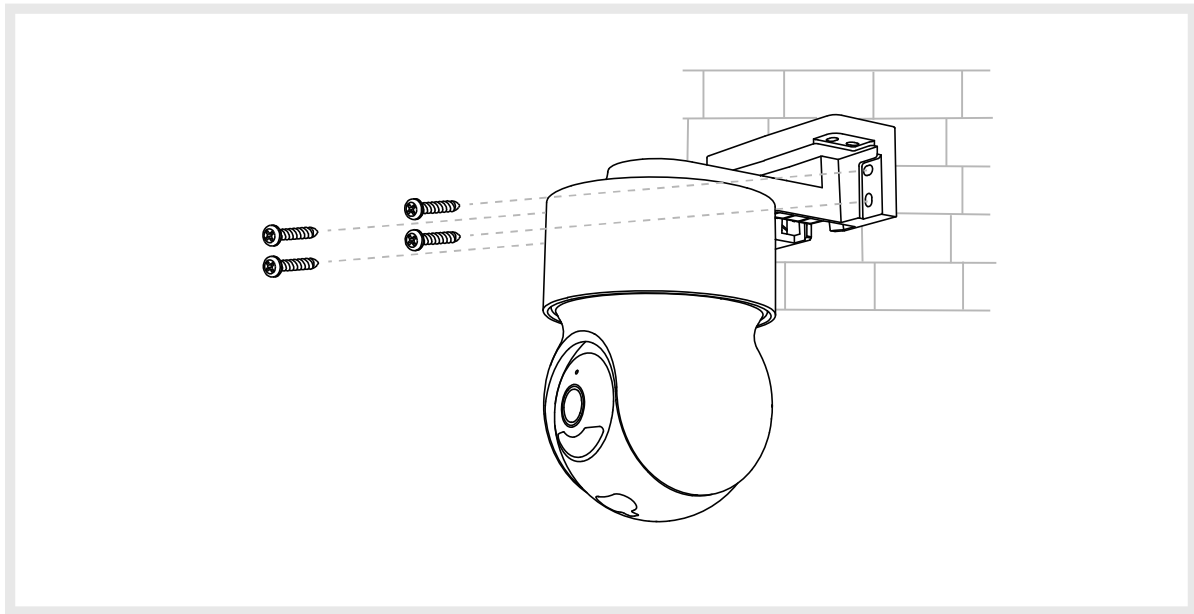
SD card slot

Support local SD Card storage (Max.128 GB)

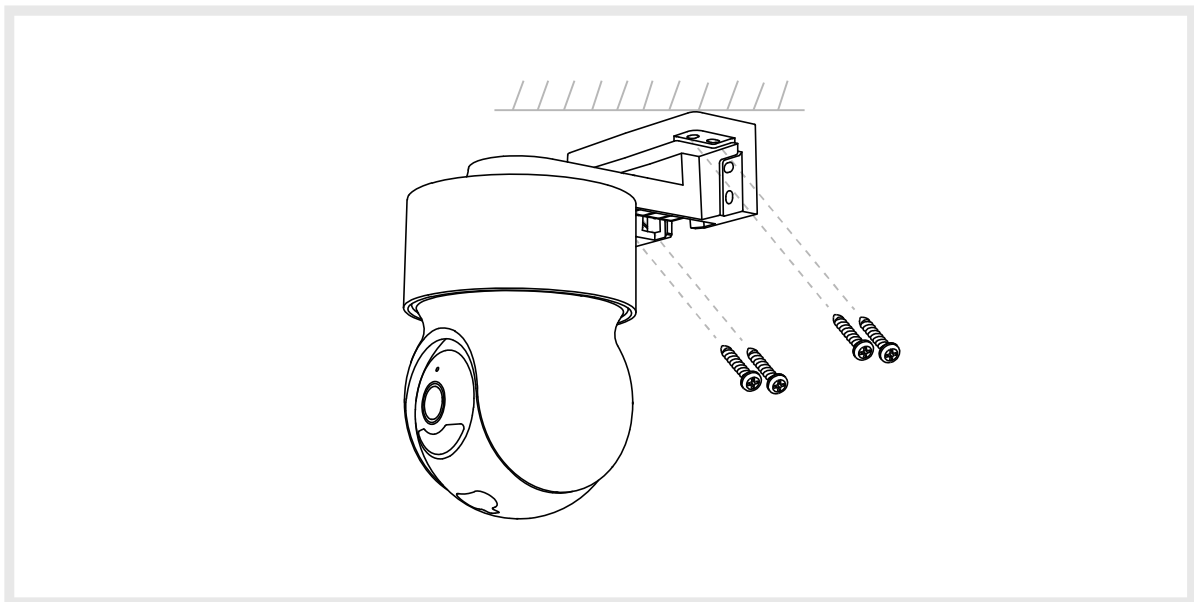
Reset

Press and hold for 5 seconds to reset the camera (if you have modified settings, they will return to factory defaults)

1 Wall mount



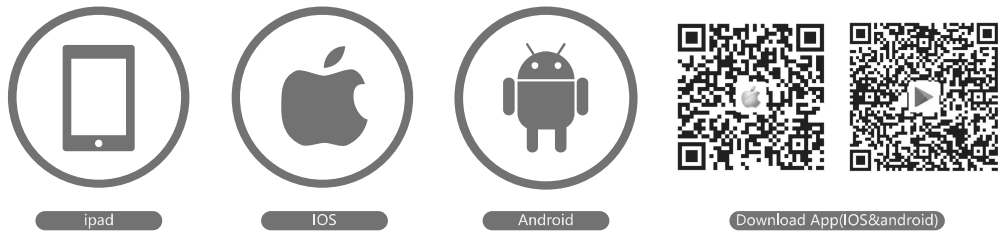
2 Ceiling mount



Download

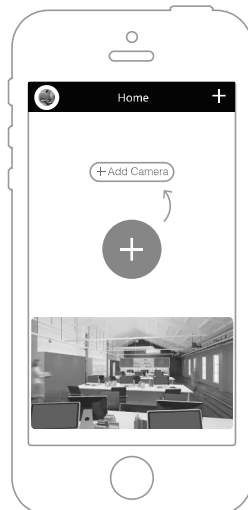
CloudEdge is available for both iOS and Android OS. Search the name "CloudEdge" in App Store or Google Play, or scan the QR-Code to download the App.

· Support



Add device

Log in the CloudEdge, select "Add Device", and add the smart camera to the App according to the screen tips. (Make the smart camera close to the router when configuring).



NOTE:

If you need to re-select the WiFi network, please press and hold the "RESET" button for 5 seconds, the device will restart, and the indicator will be flashing red.

Q: The device cannot be previewed properly?

A: Check whether the network is normal, you can place the camera close to the router, and if not, it is recommended to reset the device and add it again.

Q: Why is it still in the list of devices after resetting?

A: The reset device only resets the network configuration of the camera, but cannot change the configuration on the App, remove the camera, and must be deleted by the App.

Q: How to cut the camera network to another router?

A: First remove and reset the device on the App and then configure the device again by the App.

Q: Why doesn't the device identify the SD card?

A: It is recommended to plug in SD card after power cut. Confirm whether the SD card is normally available and the format is FAT32. And the TF card can't be identified when the internet environment is not good.

Q: Why I can't get the notifications with my cell phone App?

A: Please confirm that the App has been running on the phone, and the relevant reminder function has been opened; Message notification and authority confirmation in the mobile phone system have been opened.

Functions

Pan/Tilt

Rotate your camera by sliding on your smartphone, providing you with a good vision.

Video flip

Flip your video stream up or down for maximum flexibility.

Full color vision

With white light, the captured pictures and videos of motion detection are colorful which can provide you a better vision.

Motion detection

Support smart motion detection. The camera will detect movements, and then send you push notifications and app alerts.

Record

Support 24H continuous recording with high capacity SD storage or Cloud storage.

Day & Night

Never miss a moment, even in complete darkness, with powerful night-vision technology.



Daytime



Night

FCC Statement

This equipment has been tested and found to comply with the limits for a Class B digital device, pursuant to part 15 of the FCC Rules. These limits are designed to provide reasonable protection against harmful interference in a residential installation. This equipment generates, uses and can radiate radio frequency energy and, if not installed and used in accordance with the instructions, may cause harmful interference to radio communications. However, there is no guarantee that interference will not occur in a particular installation. If this equipment does cause harmful interference to radio or television reception, which can be determined by turning the equipment off and on, the user is encouraged to try to correct the interference by one or more of the following measures:

- Reorient or relocate the receiving antenna.
- Increase the separation between the equipment and receiver.
- Connect the equipment into an outlet on a circuit different from that to which the receiver is connected.
- Consult the dealer or an experienced radio/TV technician for help.

FCC Radiation Exposure Statement

This device complies with FCC radiation exposure limits set forth for an uncontrolled environment and it also complies with Part 15 of the FCC RF Rules. This equipment must be installed and operated in accordance with provided instructions and the antenna(s) used for this transmitter must be installed to provide a separation distance of at least 20 cm from all persons and must not be co-located or operating in conjunction with any other antenna or transmitter. End-users and installers must be provide with antenna installation instructions and consider removing the no-collocation statement.

This device complies with Part 15 of the FCC Rules. Operation is subject to the following two conditions: (1) this device may not cause harmful interference, and (2) this device must accept any interference received, including interference that may cause undesired operation.

Caution!

Any changes or modifications not expressly approved by the party responsible for compliance could void the user's authority to operate the equipment.