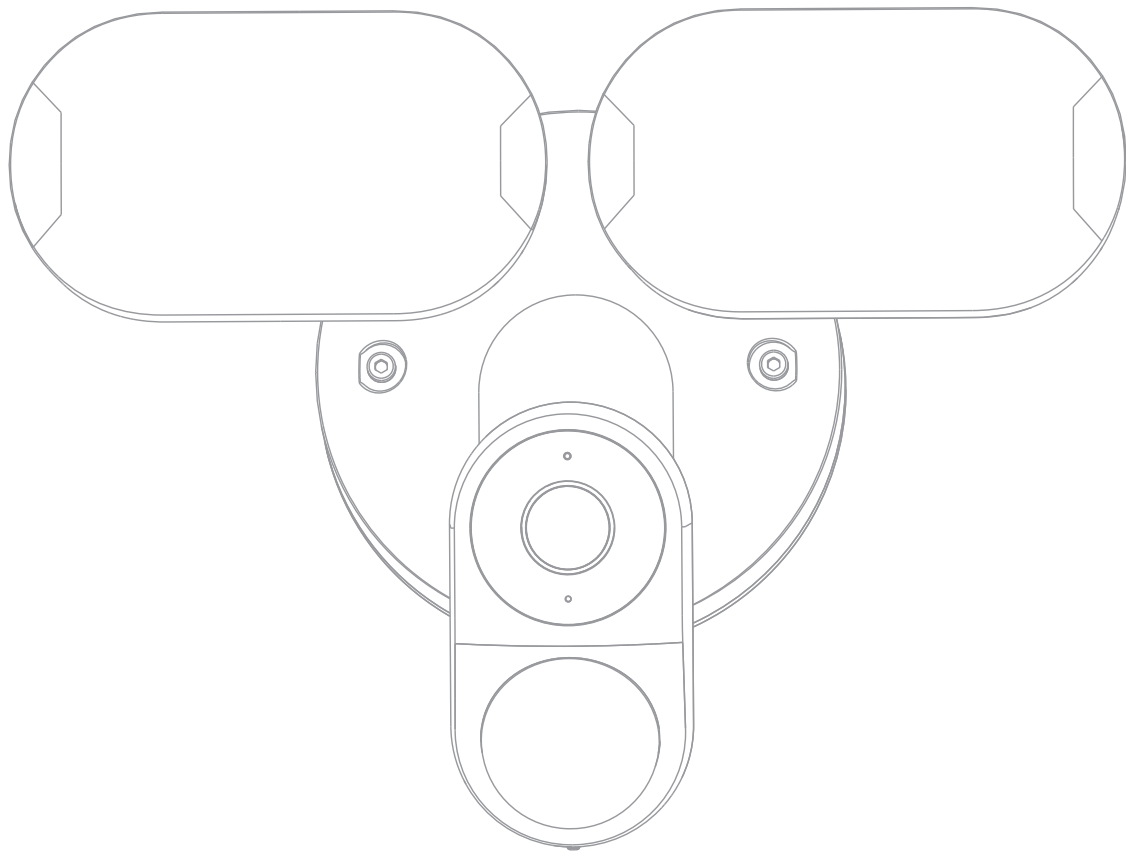


# Flight 4T

ORIGINALITY DESIGN SMART AND BEAUTIFUL

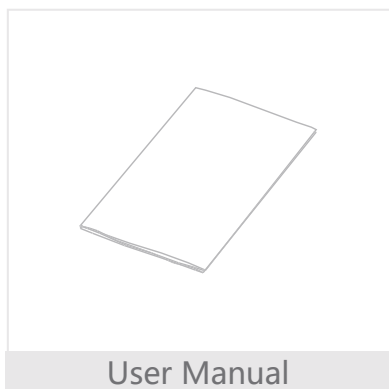
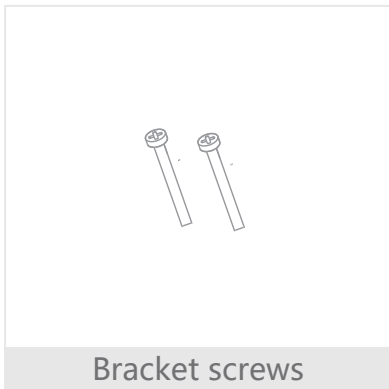
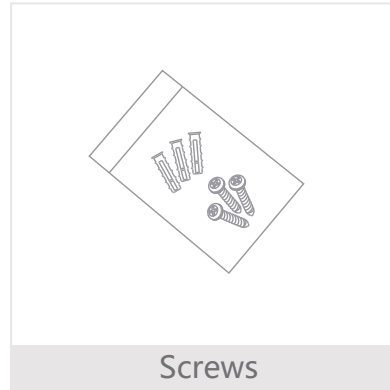
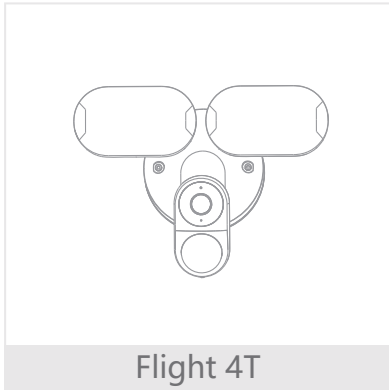


# QUICK GUIDE

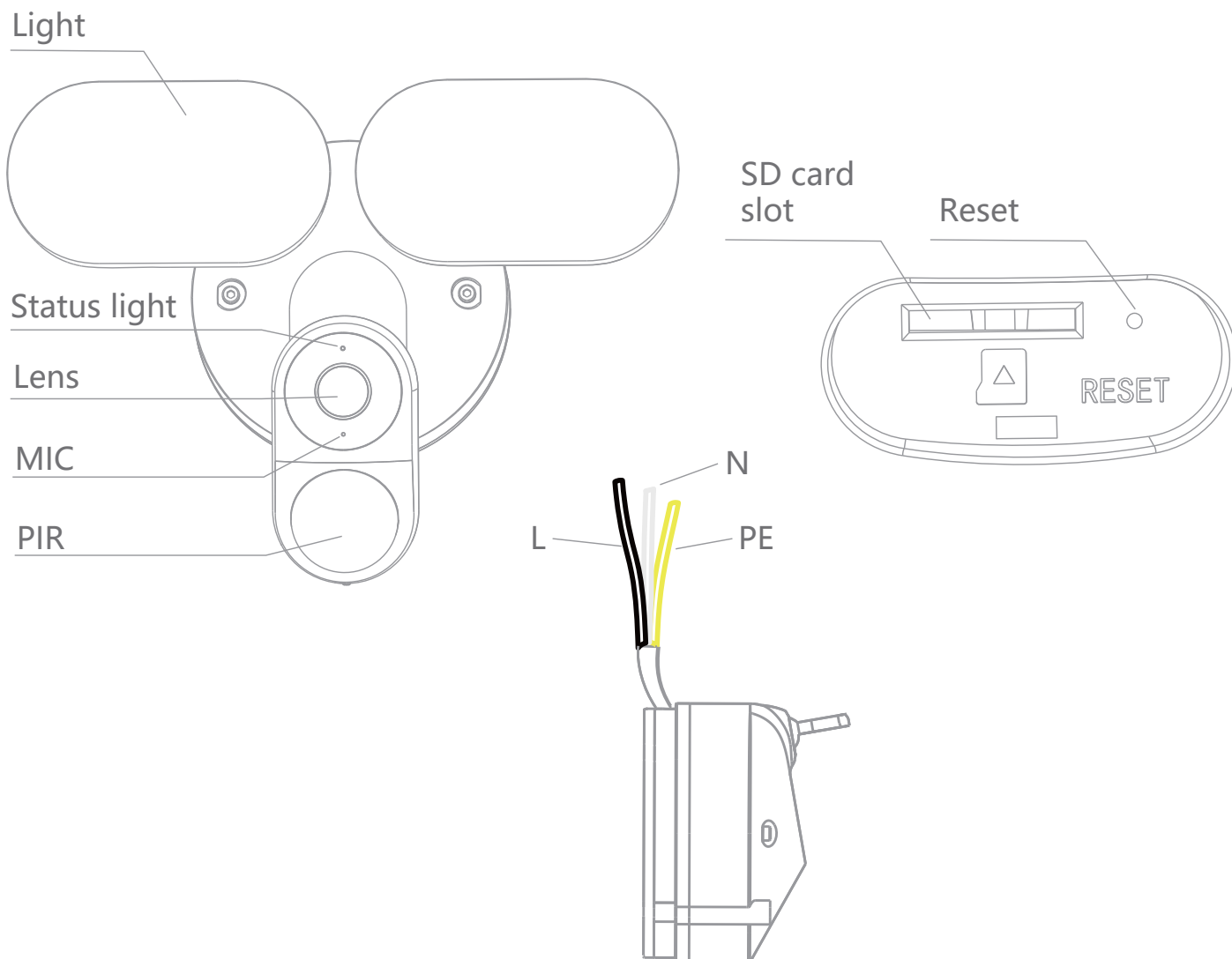


# What's in the box

Consult the checklist below for all components.



# Description



Power AC 100~240V

- Status light
- Solid red light on: the camera network is abnormal
  - Blinking red light: awaiting WiFi connecting
  - Solid blue light on: camera running correctly
  - Blinking blue light: currently connecting

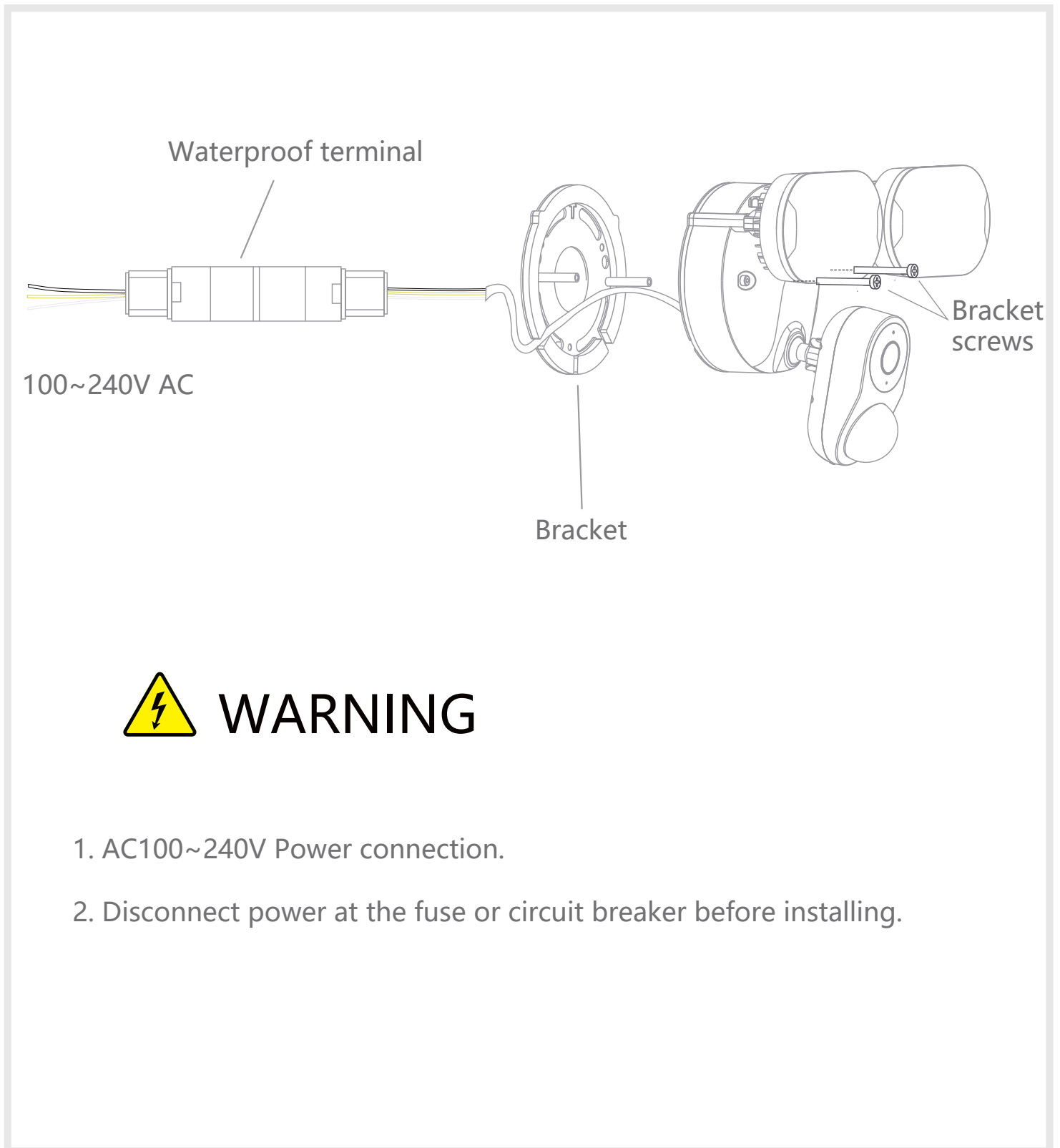
Microphone Captures sounds for your video

SD card slot Supports local SD Card storage (Max.128G)

Reset Press and hold the 'RESET' for 5 seconds to reset the device(if you have modified settings, they will return to factory defaults)

Light Turn the light on/off manually or automatically

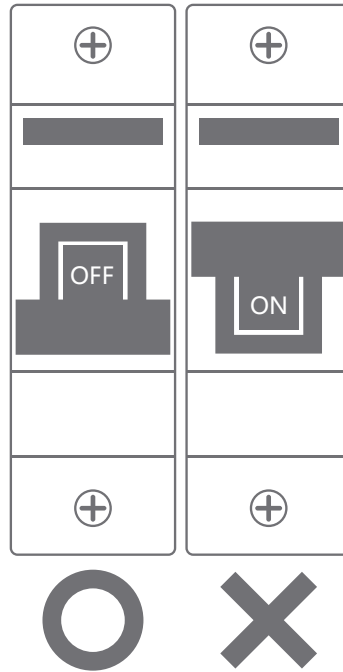
How it all fits together.



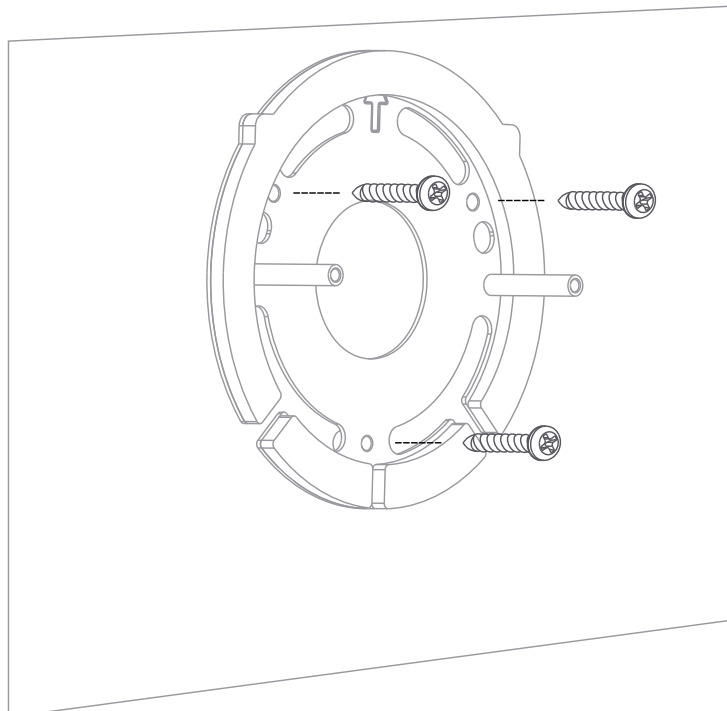
## WARNING

1. AC100~240V Power connection.
2. Disconnect power at the fuse or circuit breaker before installing.

**Step 1** Shut power off at the breaker. If you do not know where your breaker is or how to turn off power, consult with a licensed electrician.

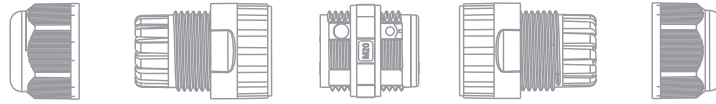


**Step 2** Fix the bracket on the wall.

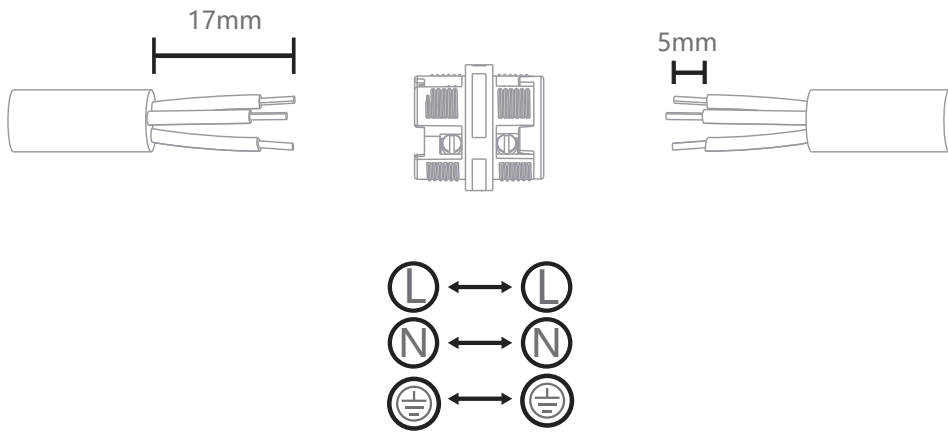


## Step 3

Unscrew the nuts at both ends of the waterproof terminal and connect the corresponding live, neutral, and ground wires respectively.

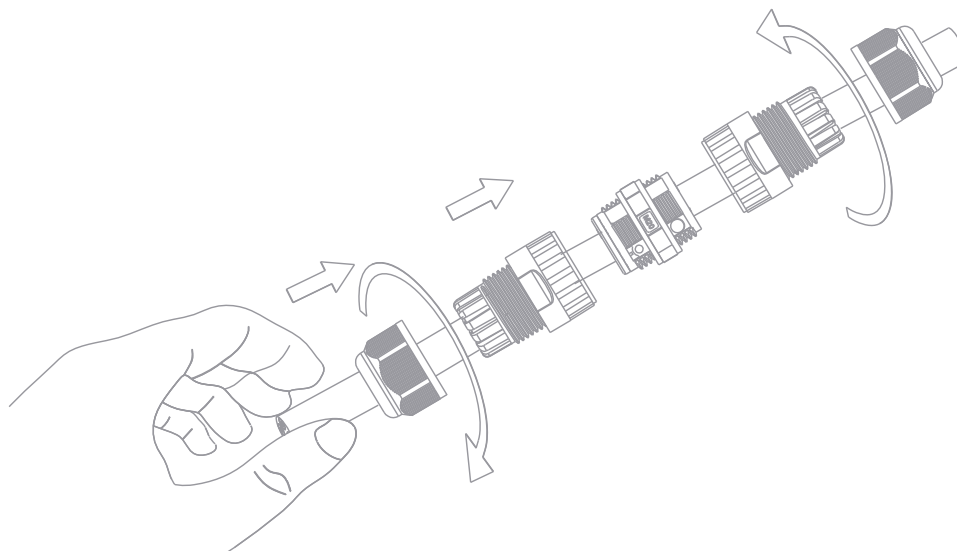


Note: Remove the outermost wrapping layer, the reserved colored power cords do not exceed 17mm, and the peeled part of each colored power cord does not exceed 5mm.

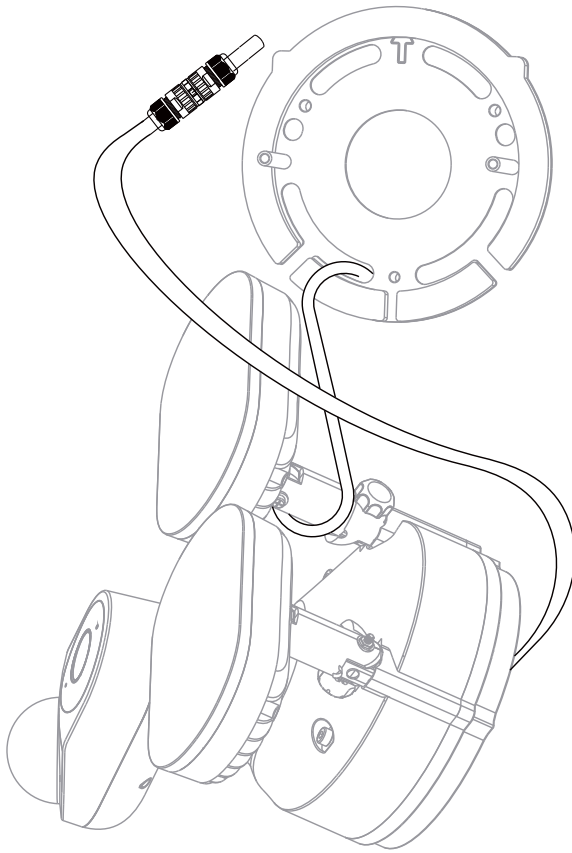


## Step 4

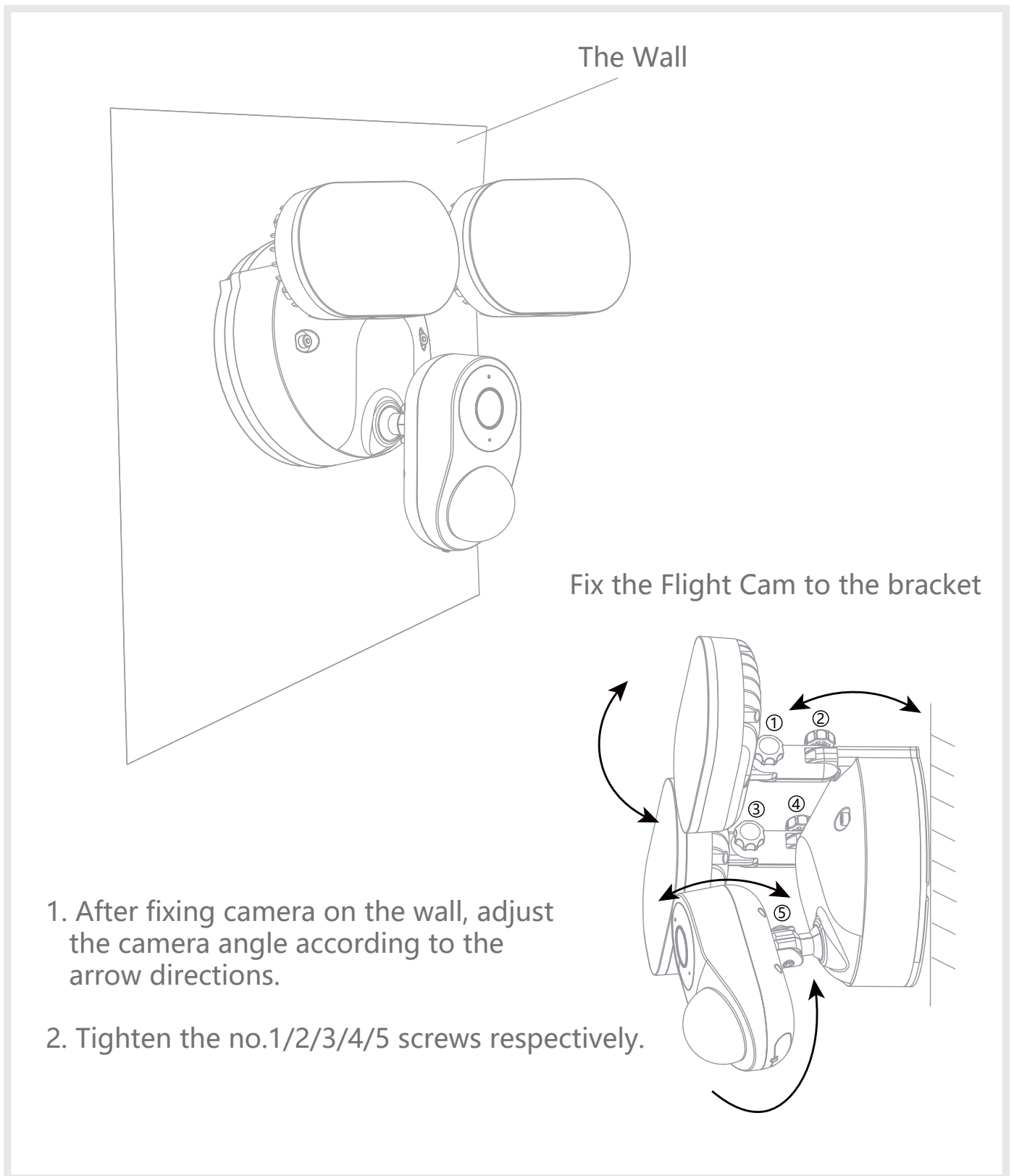
After the power cords are connected, tighten the nuts at both ends of the terminal in order to fix the power cords.



**Step 5** Hang Flight Cam. Use the provided hook to hang Flight Cam from the bracket while connecting the wires.



Hook one end of the provided hook into one of the mounting holes on your Bracket.



NOTE: Restore power at the breaker after installing Flight Cam.



## Download

Smart life is available for both iOS and Android OS. Search the name 'SmartLife'in App Store or Google Play, or scan the QR-Code to download the App.

·Support



iPad



iOS



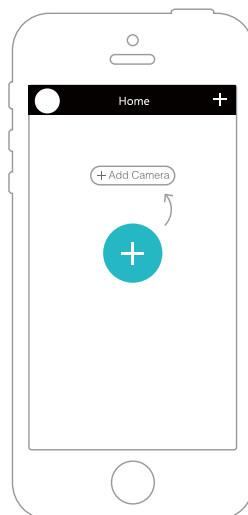
Android



Download App(iOS&Android)

## Add Camera

Log in the Smart life, select "Add Camera", and add the smart camera to the APP according to the screen tips(Make the smart camera close to the router when configuring).



**NOTE:** If you need to re-select the WiFi network, please press and hold the "RESET" button for 5 seconds, the device will restart, and the indicator will be flashing red.

## Lighting control

You can turn the light on or off with time setting or PIR.

## Full-duplex audio

You can see and hear the visitor in your App from the camera.

## PIR

When the camera detects someone stopping by, it sends an alarm message to your cell phone.

## Record

Using SD card or Opening the Cloud-Storage Service, to keep recording for every moment.

## Daytime & Night

Powerful night vision means no interruptions, even in complete darkness.



Daytime



Night

## FCC Statement

This equipment has been tested and found to comply with the limits for a Class B digital device, pursuant to part 15 of the FCC Rules. These limits are designed to provide reasonable protection against harmful interference in a residential installation. This equipment generates, uses and can radiate radio frequency energy and, if not installed and used in accordance with the instructions, may cause harmful interference to radio communications. However, there is no guarantee that interference will not occur in a particular installation. If this equipment does cause harmful interference to radio or television reception, which can be determined by turning the equipment off and on, the user is encouraged to try to correct the interference by one or more of the following measures:

- Reorient or relocate the receiving antenna.
- Increase the separation between the equipment and receiver.
- Connect the equipment into an outlet on a circuit different from that to which the receiver is connected.
- Consult the dealer or an experienced radio/TV technician for help.

## FCC Radiation Exposure Statement

This device complies with FCC radiation exposure limits set forth for an uncontrolled environment and it also complies with Part 15 of the FCC RF Rules. This equipment must be installed and operated in accordance with provided instructions and the antenna(s) used for this transmitter must be installed to provide a separation distance of at least 20 cm from all persons and must not be co-located or operating in conjunction with any other antenna or transmitter. End-users and installers must be provide with antenna installation instructions and consider removing the no-collocation statement.

This device complies with Part 15 of the FCC Rules. Operation is subject to the following two conditions: (1) this device may not cause harmful interference, and (2) this device must accept any interference received, including interference that may cause undesired operation.

## Caution!

Any changes or modifications not expressly approved by the party responsible for compliance could void the user's authority to operate the equipment.