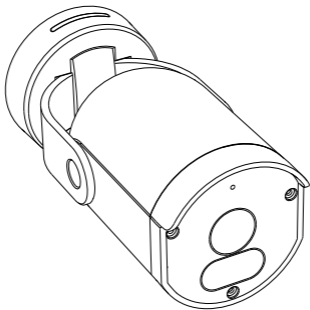


# Bullet 11S

ORIGINALITY DESIGN SMART - AND BEAUTIFUL



## QUICK GUIDE



Consult the checklist below for all components.



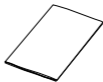
Camera



Power adapter



Screw package

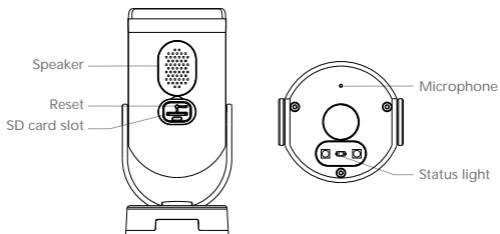


Manual



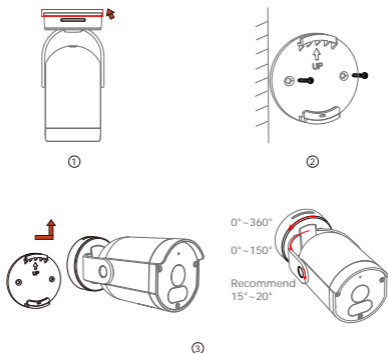
Screwdriver

## Description



Power	DC12±10%
Status light	<ul style="list-style-type: none"><li>• Blinking red light: wait for network connection</li><li>• Solid blue light on: camera is working correctly</li><li>• Solid red light on: camera is malfunctional</li></ul>
Microphone	Capture sound for your video
SD card slot	Support local SD Card storage (Max.128 GB)
Reset	Press and hold for 5 seconds to reset the camera (if you have modified settings, they will return to factory defaults)

## Bracket Installation



1. Push the bracket in the direction shown to take apart.
2. Install the bracket to the wall with screws. Put the UP logo up.
3. Insert the bracket upward and then push the bracket in the opposite direction of step 1, to lock the bracket with the camera.

(Optional) You can adjust the camera horizontally or vertically by manual. It is recommended to adjust camera horizontally between 0 to 150 degrees, and vertically between 15 to 20 degrees. You can also rotate the bracket from 0 to 360 degrees.

## Download

SmartLife or Tuya Smart is available for both iOS and Android OS. Search the name 'SmartLife', 'Tuya Smart' in App Store or Google Play, or scan the QR-Code to download the App. You can select the App according to needs.

Support



iPad



iOS



Android



Download App(iOS/Android)

## Set up router

The router supports the 2.4GHz Wi-Fi (doesn't support the 5GHz), and is connected to the Wi-Fi network. Please set the parameters of the router before connecting the Wi-Fi network, and record the SSID and password of your Wi-Fi.



Please keep network available



2.4GHz

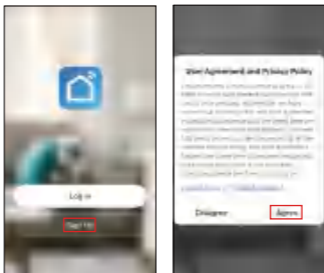


5GHz



## Registration process

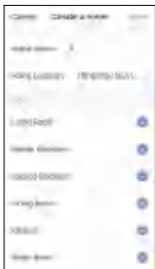
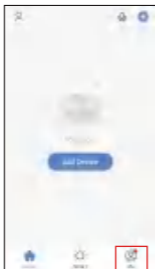
Step 1 Open the Smart Life App, click "Sign Up", read the "User Agreement Privacy Policy" and click "Agree" .



Step 2 Input a legal and valid Mobile number or Email address and click "Get Verification Code". Input the verification code to log in.

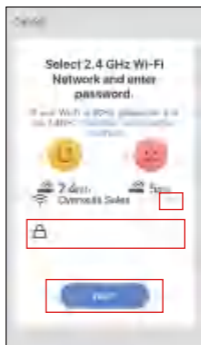


- 1 Open the Smart Life App, click "My" >> "Home Management" >> "Create a home", and you can customize the home name and related settings.



- 2 Click "Add Device" or "+", and then select "Security & Sensor" >> "Smart Camera" to add camera.

- 3 Power on and reset camera until the status indicator is flashing quickly or a prompt tone is heard, and then click "Next". Then input your Wi-Fi's passwords and click "Next". Click "↔" to change network.



Note:

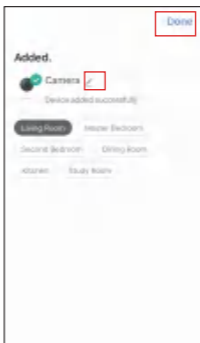
- 1) Camera only supports 2.4GHz Wi-Fi network.
- 2) The number of bits in the SSID and passwords of the router should not exceed 24 digits.



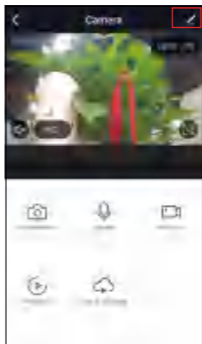
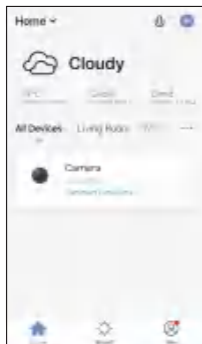
- 4 In this interface, you should scan the QR code in your phone with the camera,when the camera comes out "dong dong dong". And you can complete the configuration about 30s.



- 5 When connecting, you should make sure your router, mobile, and camera are as close as possible. When camera added successfully, click "Done" you could also DIY the camera's name.



In "Smart Camera" interface,click "[ ]",you can set the camera common functions.



Q: The device cannot be previewed properly?

A: Check whether the network is normal, you can place the camera close to the router, and if not, it is recommended to reset the device and add it again.

Q: Why is it still in the list of devices after resetting?

A: The reset device only resets the network configuration of the camera, but cannot change the configuration on the App, remove the camera, and must be deleted by the App.

Q: How to cut the camera network to another router?

A: First remove and reset the device on the App and then configure the device again by the App.

Q: Why doesn't the device identify the SD card?

A: It is recommended to plug in SD card after power cut. Confirm whether the SD card is normally available and the format is FAT32. And the TF card can't be identified when the Internet environment is not good.

Q: Why I can't get the notifications with my cell phone App?

A: Please confirm that the App has been running on the phone, and the relevant reminder function has been opened; Message notification and authority confirmation in the mobile phone system have been opened.

## Video flip

Flip your video stream up or down for maximum flexibility.

## Motion detection

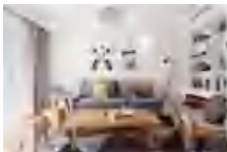
Support smart motion detection. The camera will detect movements, and then send you push notifications and app alerts.

## Record

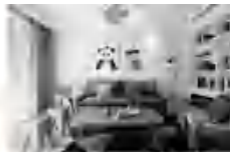
Support 24H continuous recording with high capacity SD storage or Cloud storage.

## Day & Night

Never miss a moment, even in complete darkness, with powerful night-vision technology.



Daytime



Night

## FCC Statement

This equipment has been tested and found to comply with the limits for a Class B digital device, pursuant to part 15 of the FCC Rules. These limits are designed to provide reasonable protection against harmful interference in a residential installation. This equipment generates, uses and can radiate radio frequency energy and, if not installed and used in accordance with the instructions, may cause harmful interference to radio communications. However, there is no guarantee that interference will not occur in a particular installation. If this equipment does cause harmful interference to radio or television reception, which can be determined by turning the equipment off and on, the user is encouraged to try to correct the interference by one or more of the following measures:

- Reorient or relocate the receiving antenna.
- Increase the separation between the equipment and receiver.
- Connect the equipment into an outlet on a circuit different from that to which the receiver is connected.
- Consult the dealer or an experienced radio/TV technician for help.

## FCC Radiation Exposure Statement

This device complies with FCC radiation exposure limits set forth for an uncontrolled environment and it also complies with Part 15 of the FCC RF Rules. This equipment must be installed and operated in accordance with provided instructions and the antenna(s) used for this transmitter must be installed to provide a separation distance of at least 20 cm from all persons and must not be co-located or operating in conjunction with any other antenna or transmitter. End-users and installers must be provide with antenna installation instructions and consider removing the no-collocation statement.

This device complies with Part 15 of the FCC Rules. Operation is subject to the following two conditions: (1) this device may not cause harmful interference, and (2) this device must accept any interference received, including interference that may cause undesired operation.

## Caution!

Any changes or modifications not expressly approved by the party responsible for compliance could void the user's authority to operate the equipment.