



Lettin
Essential Panel Light
Product Specification



Parameter Specification

1200*600 60W Panel Light:

Model: LE-LP60L12060Q01

Specification: 1200*600mm

Rated Power: 60W

Input Voltage: 120-240Vac 50/60Hz

PF: 0.9

Luminous Flux: 6000LM

Color Temperature: 2700k-6500k

Ra: 80

Communication Protocol: IEEE 802.15.4

600*600 40W Panel Light:

Model: LE-LP40L6060Q01

Specification: 600*600mm

Rated Power: 40W

Input Voltage: 120-240Vac 50/60Hz

PF: 0.9

Luminous flux: 4000LM

Color Temperature: 2700k-6500k

Ra: 80

Communication Protocol: IEEE 802.15.4

1200*300 40W Panel Light

Model: LE-LP40L12030Q01

Specification: 1200*300mm

Rated Power: 40W

Input Voltage: 120-240Vac 50/60Hz

PF: 0.9

Luminous Flux: 4000LM

Color Temperature: 2700k~6500k

Ra: 80

Communication Protocol: IEEE 802.15.4



Parameter Specification

1200*600 60W Panel Light

Model: LE-LP60L12060D01

Specification: 1200*600mm

Rated Power:60W

Power Input: 120-240Vac 50/60Hz

PF: 0.9

Luminous Flux: 6000LM

Color Temperature: 2700K-6500k

Ra: 80

Communication Protocol: IEEE 802.15.4

600*600 40W Panel Light

Model: LE-LP40L6060D01

Specification: 600*600mm

Rated Power: 40W

Power Input: 120-240Vac 50/60Hz

PF: 0.9

Luminous Flux: 4000LM

Color Temperature: 2700k-6500k

Ra: 80

Communication Protocol: IEEE 802.15.4

1200*300 40W Panel Light

Model: LE-LP40L12030D01

Specification: 1200*300mm

Rated Power: 40W

Power Input: 120-240Vac 50/60Hz

PF: 0.9

Luminous Flux: 4000LM

Color Temperature: 2700k-6500k

Ra: 80

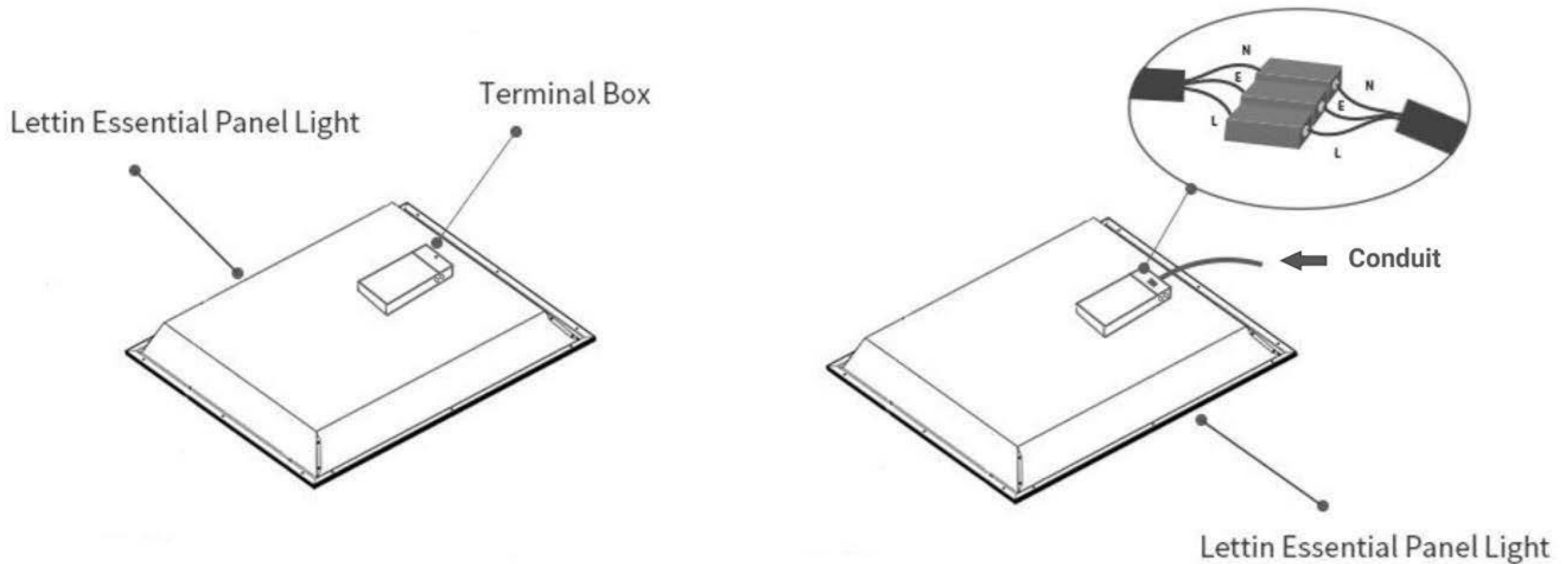
Communication Protocol: IEEE 802.15.4



Installation & Usage

1. Installation Instructions

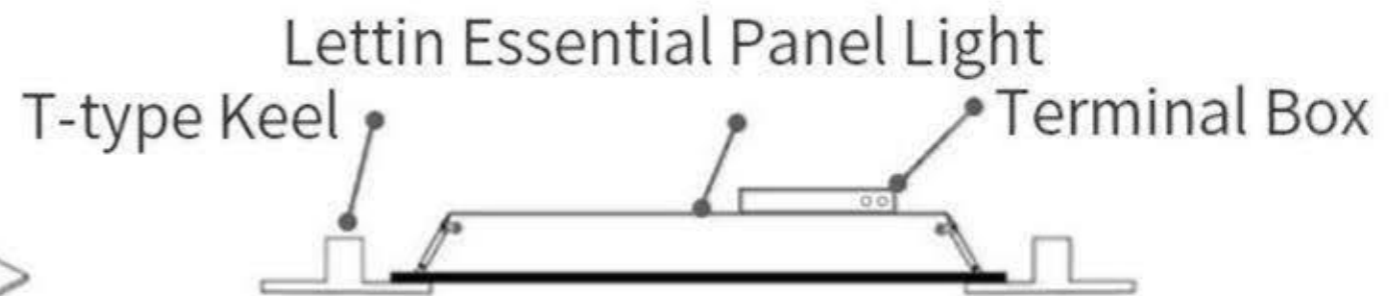
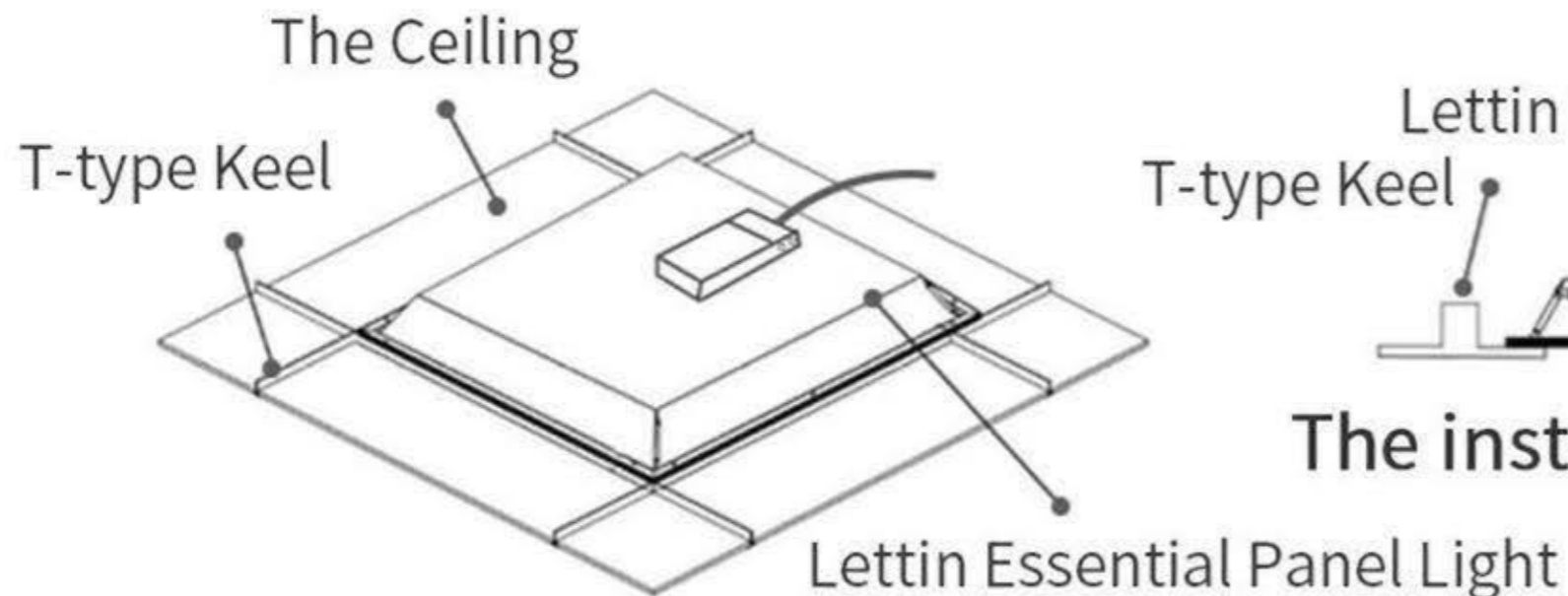
- 1.) Use tools to unscrew the screws on the terminal box and open it.
- 2.) Choose to knock a tap hole on the side of the Power Pack, install a cable gland to the tap hole. Connect the Power Pack from the cable gland.
- 3.) Connect the FireWire, Neutral, and Ground cables to the corresponding jacks and check whether the wiring is correct.
- 4.) Secure the Terminal Box to the Power Pack with screws.
- 5.) Turn it on for usage.



Installation Method

1. Embedded

The embedded installation of Lettin Essential Panel Light, it can be directly placed on the T-type Keel. Notice: The Panel Light design is compatible to the ceiling size. When embedded, don't tilt and prevent slippage. Due to the different construction methods, please check whether the ceiling can withstand its weight and whether the embedded area matches. Otherwise reinforce the lamp panel.

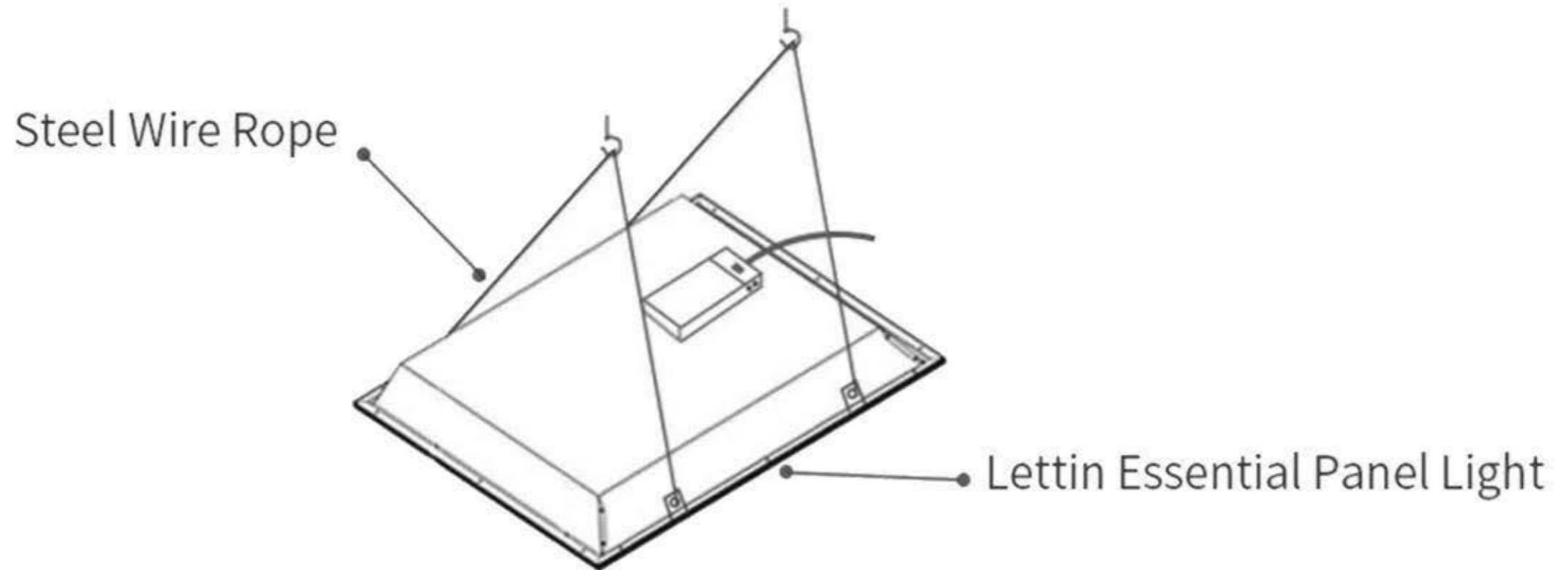


The installation of T-type Keel

Installation Method

2. Catenary

- 1.) Catenary Installation of Lettin Essential Panel Light, through the thread into the mounting hole.
- 2.) Hanging slings to ceiling hooks or other mountable parts.



Notice:

1. Do not use this product in a re-sealed environment.
2. Only the professional technicians can maintenance the products.
3. We' ll have not other notices if we have some changes of the product specifications.
4. This product is not suitable with dimmers.

1. Operating environment:

Suitable to use in office, hotel, dining, home or other indoor lighting

Environment temperature:

Environment humidity:

protection levels:

2. Cleaning and maintaining

Please do not clean when it's on or electrified

Please clean with dry soft cloth in case scratches

Please avoid detergent when cleaning

3. Caution:

Read the manual before installation

Please follow all user manual instructions when installing the product.

Do not get this product wet and do not use near any water source.

The product should not be exposed to dripping or splashing liquids of any kind.

Do not install the product near any heat sources, such as heater, radiators, stove, heat registers or other apparatus that produce heat.

Ensure that the product is stable and secured in place during installation. If the product is dropped or falls out of the light socket, it may cause harm.

If the product is dropped or falls out of light socket, it may be damaged. Please check if any damage on the product.

To prevent product failure, the bulb should only be installed in operating environments.

The ceiling should be able to stand at least 700N/m²

Only use accessories specifically recommended by the company

Refer all servicing to qualified Light & Effects Technician.

Repairs must be performed by a qualified Light & Effects technician

The bulb can be hot and should not be touched by bare hands.

The manufacturer is not responsible for any radio or TV interference caused by unauthorized modifications to this equipment. Such modifications could void the user's authority to operate the equipment.

FCC Warning

Federal Communication Commission Interference Statement

This equipment has been tested and found to comply with the limits for a Class B digital device, pursuant to Part 15 of the FCC Rules. These limits are designed to provide reasonable protection against harmful interference in a residential installation. This equipment generates, uses, and can radiate radio frequency energy and, if not installed and used in accordance with the instructions, may cause harmful interference to radio communications. However, there is no guarantee that interference will not occur in a particular installation. If this equipment does cause harmful interference to radio or television reception, which can be determined by turning the equipment off and on, the user is encouraged to try to correct the interference by one or more of the following measures:

- . Reorient or relocate the receiving antenna.
- . Increase the separation between the equipment and receiver.
- . Connect the equipment into an outlet on a circuit different from that to which the receiver is connected.
- . Consult the dealer or an experienced radio/TV technician for help.

FCC Caution

This device complies with Part 15 of the FCC Rules. Operation is subject to the following two conditions:

- (1) This device may not cause harmful interference
- (2) This device must accept any interference received, including interference that may cause undesired operation.

Any changes or modifications not expressly approved by the party responsible for compliance could void the user's authority to operate this equipment. This device and its antenna(s) must not be collocated or operating in conjunction with any other antenna or transmitter.

FCC Radiation Exposure Statement

This equipment complies with FCC radiation exposure limits set forth for an uncontrolled environment. This equipment should be installed and operated with minimum distance 20cm between the radiator & your body.

ISED Warning:

This device complies with Innovation, Science and Economic Development Canada license-exempt RSS standard(s). Operation is subject to the following two conditions:

(1) This device may not cause interference, and (2) This device must accept any interference, including interference that may cause undesired operation of the device.

Le présent appareil est conforme aux CNR d' Innovation Science et Développement économique Canada applicables aux appareils radio exempts de licence. L'exploitation est autorisée aux deux conditions suivantes:

(1) l'appareil ne doit pas produire de brouillage, et

(2) l'utilisateur de l'appareil doit accepter tout brouillage radioélectrique subi, même si le brouillage est susceptible d'en compromettre le fonctionnement.

This equipment complies with ISEDC RSS-102 radiation exposure limits set forth for an uncontrolled environment. This equipment should be installed and operated with minimum distance 20cm between the radiator & your body.

Cet équipement est conforme aux limites d'exposition aux rayonnements ISEDC établies pour un environnement non contrôlé. Cet équipement doit être installé et utilisé avec un minimum de 20cm de distance entre la source de rayonnement et votre corps.

Lettin

www.lettin.cn

service@lettin.cn