

Wireless double Microphone sets

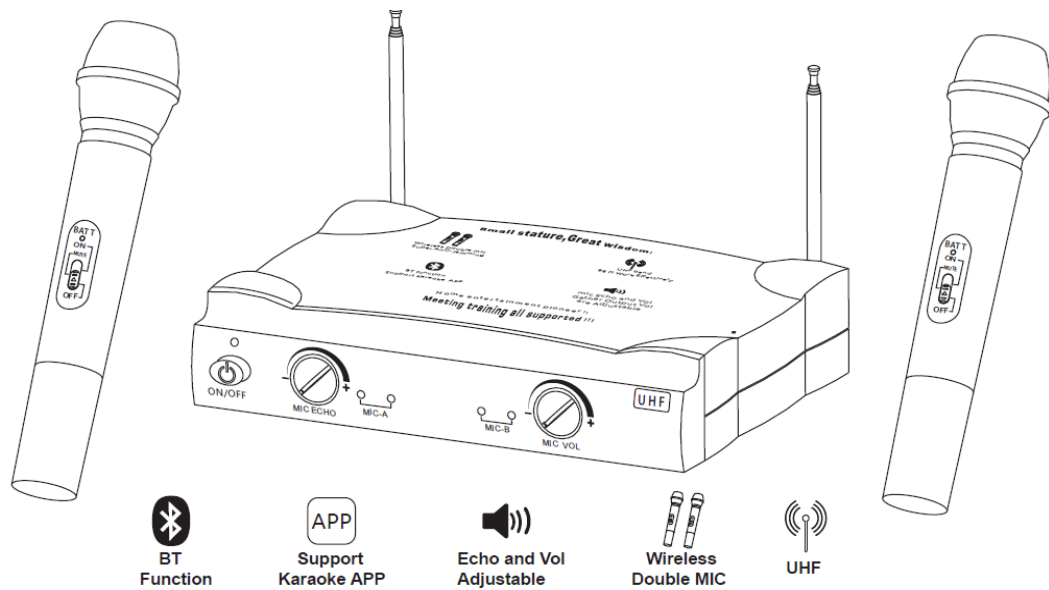
Manual

Model:

Microphone Receiver: K380-RX box;
and Wireless Microphone: K380-Microphone

Double Mic sets

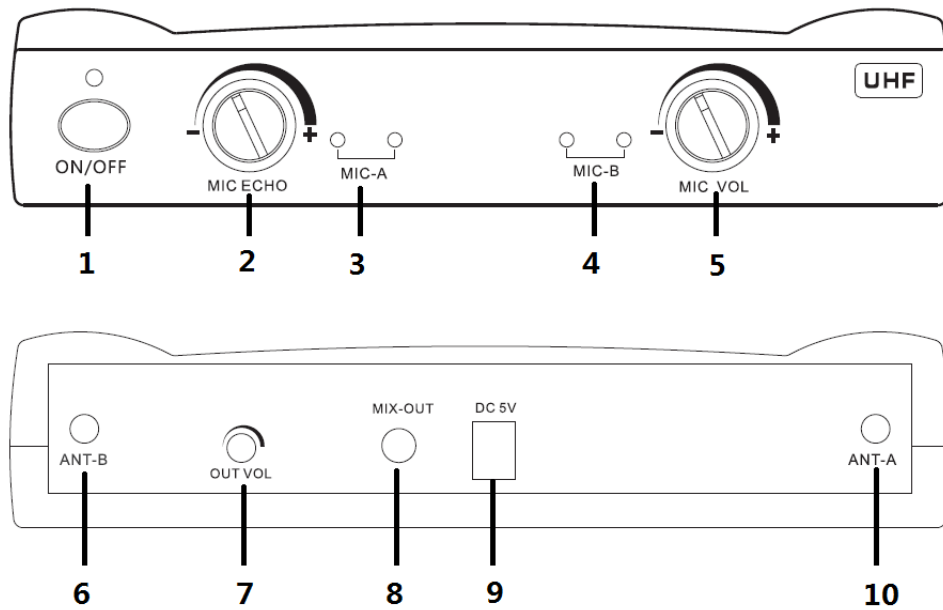
Connect any speakers, Karaoke anywhere



Preface

Welcome to use our product, double mic Bluetooth karaoke sets, it uses the original design, to move the full set of KTV karaoke system to ordinary families by low cost, simple way. It has double mic so that 2 singer could sing song in the meanwhile. It's adjustable for mic vol and echo effects in RX box. Background music is essential when you sing in .KTV, and original sound could be turned on or off. All of these functions are available in this product by Bluetooth technology and free APP software installed in smart phone or tablet.

A. Product description



- 1.ON/OFF: Power switch
- 2.Mic ECHO: Echo adjustment knob
- 3.MIC-A: A Mic led
- 4.MIC-B: B Mic led
- 5.MIC VOL: Mic vol adjustment knob
- 6.ANT-A: A Mic antenna
- 7.VOL-OUT: audio output vol adjustment knob
- 8.MIX-OUT: audio output
- 9.DC 5V: Power input
10. ANT-B: B Mic antenna

Wireless mic uses UHF band technology to realize high anti-jamming, remote wireless transmission. Application area: family entertainment, stage performances, meetings and etc. Special reminder: It's necessary to customize if you would use 2 or above products in the same effective working area, otherwise, it will occur the same frequency interference problem.

Technical parameters

Working freq.: 651MHz, 685MHz
Frequency control: Fixed frequency
Channel number: double
Frequency response: 50-18kHz
Wireless distance: 30m indoor, 15m outdoor.

Handhold microphone

Transmit power: 10mW
Mic sensitivity: -52dB
Power supply: DC3V, 2 pieces of AAA battery

Receiving box

Output amplitude: 500mV

SNR >70dB THD: ≤0.5%

Power: DC5V adapter or DC5V movable power bank

Standard configuration

Handhold microphone: 2 PCS

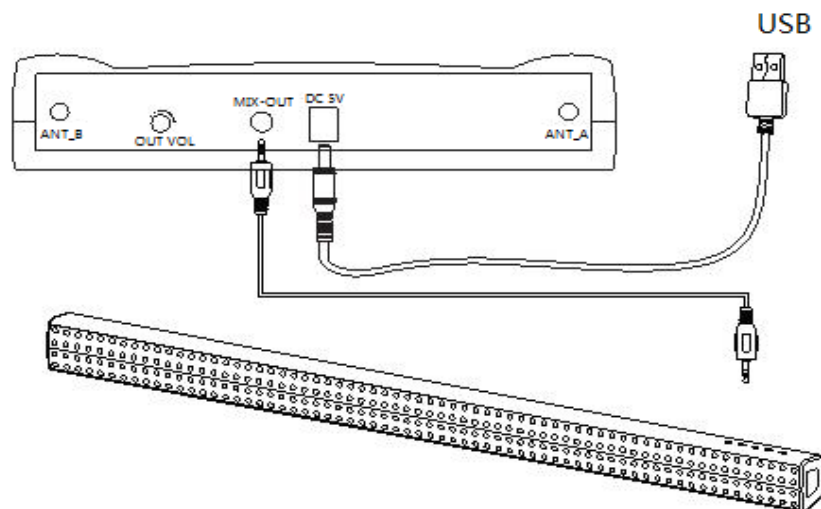
RX box: 1 PCS

D3.5mm audio cable: 1 PCS

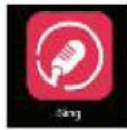
USB to DC-in cable: 1 PCS

B. How to use

1. Turn on the handhold microphone and K380 RX box, and connect the "receiving box" to the speakers or audio amplifiers by D3.5mm audio cable;
2. Connect smart phone or tablet to WiFi, download and install the K song app software, we recommend "iSing", then download your favorite video song files, APP software can also turn on or off the original singing voice when you sing song;
3. Turn on Bluetooth function on your phone or tablet, searching for "K380" device and connect it;
4. Run karaoke APP that just installed in your smart phone or tablet, and choose your favorite songs, background music can be transmitted to the speakers by Bluetooth,, APP software can also turn on or off the original sound when you singsong;
5. Turn on handhold microphone and you can enjoy singing.



C. APP application diagram



Download "iSing Karaoke by King Sing" in APP Market
Click open



Can use facebook/Twitter/instagarm account login



Click the microphone icon below Enter singing interface



Choose a favorite song,
Click into the karaoke singing mode



Below the player can carry out the original volume

D. Notes

1. Please put the product in a dry ventilated place if it is rained and moisture,
2. Please put the slip ring on the microphone as to avoid falling damage.

E. Trouble shooting

1. The microphone has no sound: check whether the power switch is turned on microphone and receiver box , and whether microphone is in mute state;
2. Microphone howled: check the microphone and audio is leaning too close, microphone is pointed to speakers, volume is adjusted too loud;
3. Background music could not transmit to speakers: check Bluetooth has been connected between receiving box and smart phone or tablet, individual smart devices is not compatible with APP software, so far, we found "Teana K song"and apple I-phone or i-pad are not compatible, it's compatible problem between them, our products is in good conditions.

FCC STATEMENT :

This device complies with Part 15 of the FCC rules. Operation is subject to the following two conditions: 1) this device may not cause harmful interference, and 2) this device must accept any interference received, including interference that may cause undesired operation.

Note: This equipment has been tested and found to comply with the limits for a Class B digital device, pursuant to part 15 of the FCC Rules. These limits are designed to provide reasonable protection against harmful interference in a residential installation. This equipment generates uses and can radiate radio frequency energy and, if not installed and used in accordance with the instructions, may cause harmful interference to radio communications. However, there is no guarantee that interference will not occur in particular installation. If this equipment does cause harmful interference to radio or television reception, which can be determined by turning the equipment off and on, the user is encouraged to try to correct the interference by one or more of the following measures:

- Reorient or relocate the receiving antenna.
- Increase the separation between the equipment and receiver.
- Connect the equipment into an outlet on a circuit different from that to which the receiver is connected.
- Consult the dealer or an experienced radio/TV technician for help.

Changes or modifications not expressly approved by the party responsible for compliance could void the user's authority to operate the equipment.

RF warning statement:

The device has been evaluated to meet general RF exposure requirement. The device can be used in portable exposure condition without restriction.