

REV (版本)	Changed Description(变更说明)	Changed By(变更人)	Approved By(审核人)	Date(日期)

正面

85mm

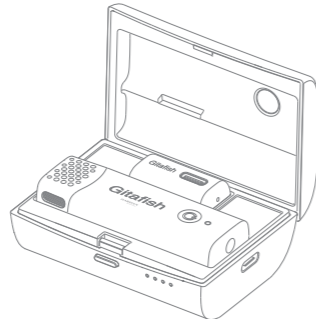
400mm

80mm

85mm

### Gitafish

#### Quick Start Guide

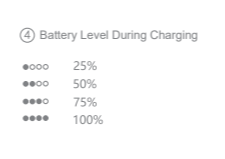


M1

#### PACKING LIST

- Gitafish
- Charging Case x1
- Transmitter (TX) x1
- Receiver (RX) x1
- Windshield x1
- USB-C Charging Cable x1
- Carrying Pouch x1
- Quick Start Guide x1

#### INTRODUCTION



Battery Level During Charging

- 25%
- 50%
- 75%
- 100%

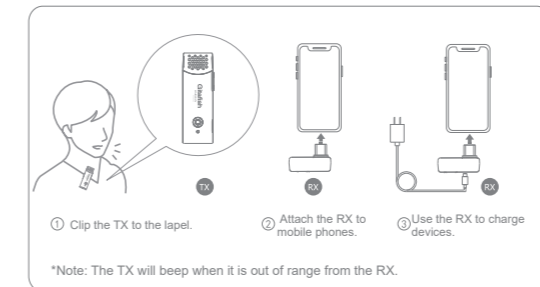
#### TX

- Power/Pairing Button
- Type-C Port
- Volume Button
- Pickup
- Indicator

#### RX

- Male Connector
- Female Connector
- Indicator

#### OPERATION



Pairing Instruction

Press and hold the pairing button for 2 seconds

#### OPERATION

Function	Operation	Indicator Status
Power On	Press and hold for 2 seconds.	Pairing: Flashing Green Light
Power Off	Press and hold for 2 seconds.	Paired: Solid Green Light
Mute	Press the power button to mute.	Solid White Light
Unmute	Press any button to unmute.	Solid Green Light
Volume Adjustment	Press "+" or "-" to adjust volume.	The number of blue flashes corresponds to the volume level (1 flash for level 1, up to 4 flashes for level 4)
Noise Cancellation	Double-press "*" to toggle on/off.	Active: Solid Purple Light
Buzzer Alert	If disconnected, a beep sounds. Press any button to stop beeping.	Flashing Green Light

\*Note: The device remembers the last volume level used.

反面

#### PARAMETER TABLE

Wireless Transmission	2.4GHz Adaptive Frequency Modulation
Transmission Range	100m(328ft.) (line of sight)
Polar Pattern	Omnidirectional
Frequency Response	20Hz-20kHz
Maximum SPL	129dB
Input Dynamic Range	93 ~ 3dB
Battery Capacity	TX: 145mAh Charging Case: 600mAh
Operating Time	TX: 8 hours Charging Case: 4 full charges for 1 TX
Charging Time	TX: 1.5 hours Charging Case: 2 hours
Power Supply	9V ~ 1A
Dimensions	TX: 67.1 x 22.38 x 10.15mm RX: 30.07 x 16.27 x 10.3mm Charging Case: 74.49 x 53.26 x 30.98mm
Weight	TX: 18g RX: 5g Charging Case: 60g

#### APP APPLICATION



Enhance your audio experience with the Gitafish App, offering user-friendly settings and an intuitive interface for effortless sound customization. Tailor your sound profiles and control advanced features easily. Download now for a seamless audio tuning journey.

OS Requirements

Android  
Android 8.0 or Later

iPhone | iPad  
iOS 12.0 or Later



Gitafish App

#### SERVICE AND SAFETY

**WARRANTY:** Shenzhen Skylark Audio offers a 1-year warranty from the date of purchase.

**FREE MAINTENANCE:** During the warranty period, maintenance is provided at no cost if product failure occurs under normal use.

**SAFETY WARNING:** Avoid exposing the product to heat sources, such as microwaves, stoves, or high-pressure containers to prevent damage or battery explosion.

Visit [www.gitafish.net](http://www.gitafish.net) to find out more about our products and support.

**Manufacturer:** Shenzhen Skylark Audio Industry Co., Ltd.  
**Office Address:** 101-4, Building 4, Xiangyue Industrial Park, No. 8 Longsheng Road, Longgang Street, Longgang District, Shenzhen, Guangdong Province, China.  
**Production Address:** 3F, Building 10, No.1 Jingdong Road, Fenggang Town, Dongguan City, Guangdong Province, China.

This content is subject to change without prior notice. Gitafish is a trademark of Skylark Audio. Copyright © 2023 Skylark Audio All Rights Reserved.

#### SERVICE AND SAFETY

**NOTE:** This equipment has been tested and found to comply with the limits for a Class B digital device, pursuant to part 15 of the FCC Rules. These limits are designed to provide reasonable protection against harmful interference in a residential installation. This equipment generates, uses and can radiate radio frequency energy and, if not installed and used in accordance with the instructions, may cause harmful interference to radio communications. However, there is no guarantee that interference will not occur in a particular installation. If this equipment does cause harmful interference to radio or television reception, which can be determined by turning the equipment off and on, the user is encouraged to try to correct the interference by one or more of the following measures:

- Reorient or relocate the receiving antenna.
- Increase the separation between the equipment and receiver.
- Connect the equipment into an outlet on a circuit different from that to which the receiver is connected.
- Consult the dealer or an experienced radio/TV technician for help.

Changes or modifications not expressly approved by the party responsible for compliance could void the user's authority to operate the equipment.

This device complies with Part 15 of the FCC Rules. Operation is subject to the following two conditions:  
(1) this device may not cause harmful interference, and (2) this device must accept any interference received, including interference that may cause undesired operation.

裁切线

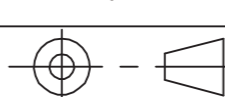
压痕线

Notes:

- 尺寸: 80\*85mm
- 材质: 128 gsm
- 颜色: 1C, 60%K
- 工艺: 风琴折
- This part must comply with ROHS/Reach/CA65/Prop65.

# 深圳市云雀之声实业有限公司

## EM111联合方案英文版说明书

0.1	第一次发行	郭锐	2023.12.19	Title (名称)		EM111		Unit (单位)		mm	未标注公差	SELECT DIM. TOL	USR	EPE	BAG	CTN	LABEL	
REV (版本)	DESCRIPTION (说明)	Drawn By (设计人)	Date (日期)	Model (机型)		Part No. (零件料号)		Doc No. (文件编号)		REV. (版本)								
Changed history (变更履历表)				EM111		0.1												
Drawn By (设计人)	郭锐	Date (日期)	2023.12.19	Scale (比例)	1:1		Mass (g) 重量(g)	TBD										
Checked By (确认人)	黄志炫	Date (日期)	2023.12.19	Projection Type (投影视角)			SHEET (页码)	1/1										
Approved By (审核人)	郭锐	Date (日期)	2023.12.19															
												0-6	±1.0					±0.2
												7-30	±1.0	±0.5	±3.0			±0.2
												31-120	±1.0	±0.5	±3.0	+3.0/-0		±0.2
												121-300	±1.0	±1.0	±3.0	+3.0/-0		±0.5
												301-600	±1.0	±1.0	±5.0	+3.0/-0		±0.5