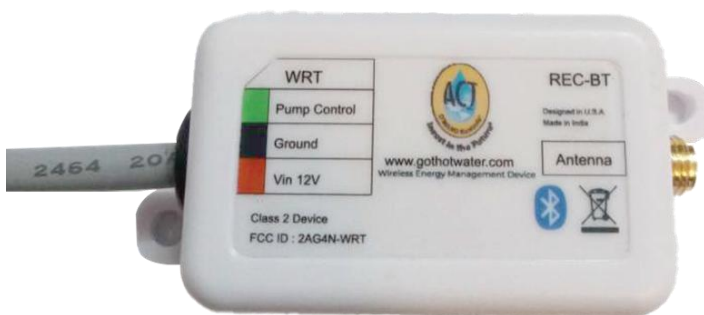




# ACTWRT



[www.wisilica.com](http://www.wisilica.com)

## Table of Contents

1.	Features .....	4
2.	Specifications .....	4
3.	Device Dimensions .....	5
4.	Wire Description .....	5
5.	Antenna Information .....	6
6.	Wiring Diagram .....	6
7.	Warning .....	7

## 1. Features

- 3.3VDC pulsed output to control motor
- BLE5.0 based non-flooding intelligent communication
- Compact form factor
- Zero downtime Over-the-Air (OTA) firmware updates

## 2. Specifications

Electrical	Symbol	Min.	Typ.	Max.	Unit	Remarks
Input Voltage	$V_{in}$	12	12	12	Vdc	Rated Input voltage
Input Current	$I_{in}$		10	15	mA	@12 Vdc, Max RF transmitting

Pulsed Output	Symbol	Min.	Typ.	Max.	Unit	Remarks
Output voltage		0		3.3	V	Max output tolerance $\pm 5\%$
Output Current				15	mA	

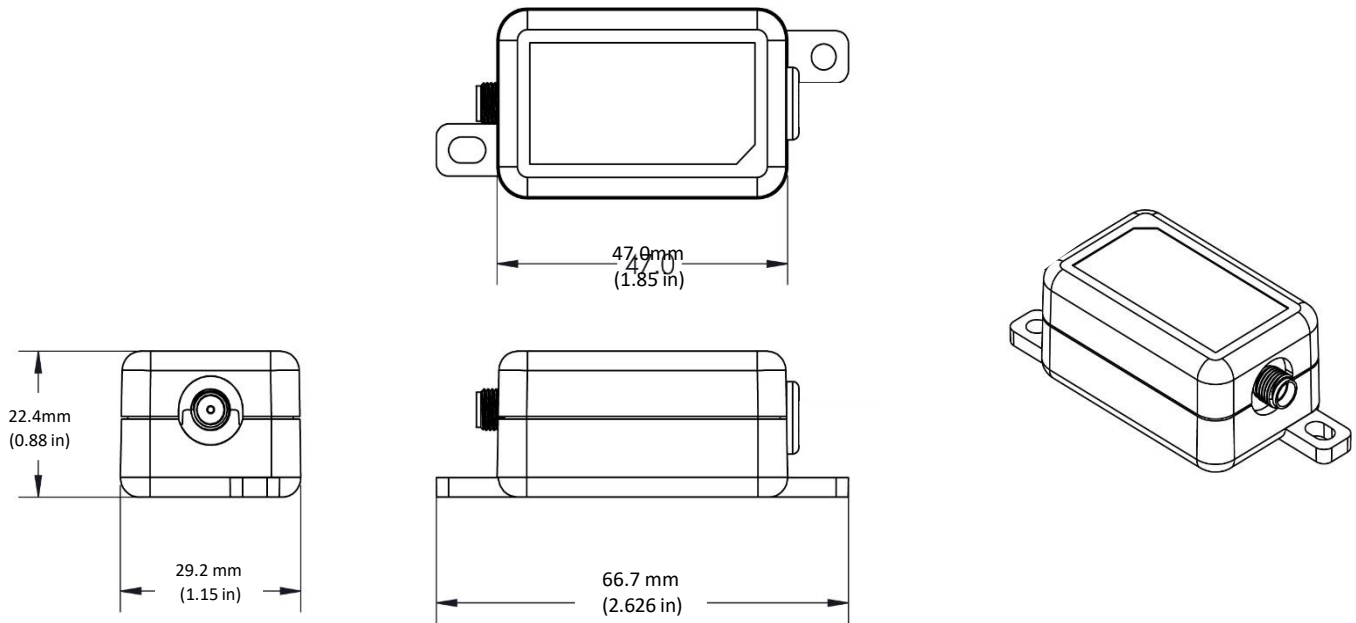
Bluetooth	Symbol	Min.	Typ.	Max.	Unit	Remarks
Frequency Range		2400	2402	2483.5	MHz	
Receiver Sensitivity		-86		-75	dBm	

Environmental	Symbol	Min.	Typ.	Max.	Unit	Remarks
Operating Temperature	$t_a$	-20		50	$^{\circ}\text{C}$	
Storage Temperature	$t_s$	-20		70	$^{\circ}\text{C}$	
Relative Humidity				85	%	

Mechanical	Symbol	Min.	Typ.	Max.	Unit	Remarks
Dimensions			66.7 x 29.2 x 22.4		mm	L x W x H
Dimensions			2.6 x 1.15 x 0.9		inch	L x W x H
Net Weight			40.0		g	In gram
Net Weight			1.41		oz	In ounce

### 3. Device Dimensions

Case material: 5VA PC



### 4. Wire Description



PIN	SYMBOL	COLOR	DESCRIPTION
1	CH1	Green	3.3V pulsed Output
2	GND	Blue	12V Ground
3	12V	Red	12V Input

## 5. Antenna Information

600mm wire antenna

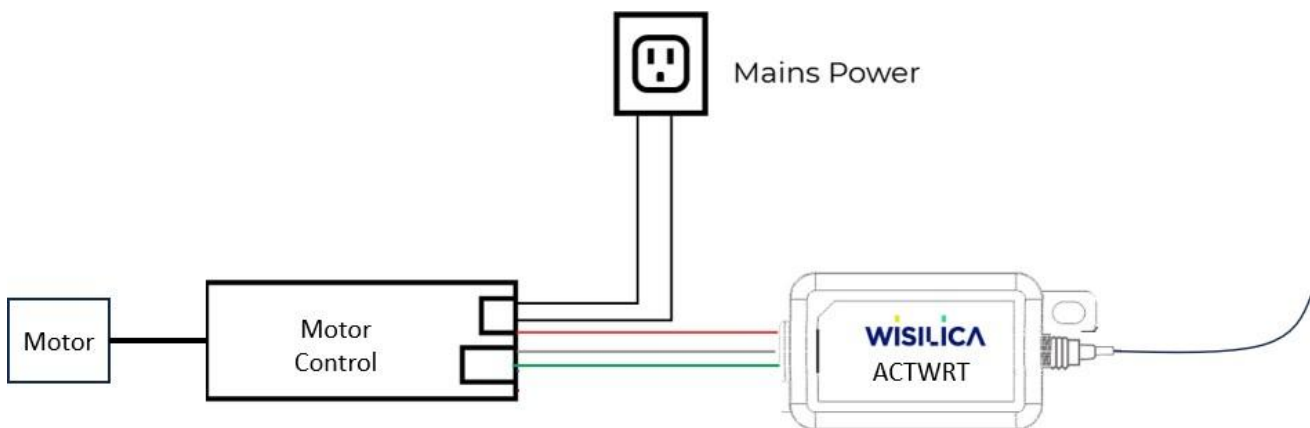


Wire antenna

Antenna Properties	
Frequency range	2.4 GHz-2.5GHz
Impedance	50 Ω Nominal
VSWR	1.92:1 Max
Return loss	-10 dB Max
Gain(peak)	2 dBi
Cable loss	0.3 dBi Max
Polarization	Linear vertical
Admitted power	2 W

## 6. Wiring Diagram

Wiring ACTWRT to control motor



## 7. Warning

1. To prevent the device from any defect, please handle and store it with care.
2. Do not open or disassemble the product.
3. Observe the correct polarity of output terminal
4. Avoid input voltage exceeds the maximum rating, which will cause damage to the circuit and result in malfunction.

## 8. FCC Statement

This equipment has been tested and found to comply with the limits for a Class B digital device, pursuant to part 15 of the FCC Rules. These limits are designed to provide reasonable protection against harmful interference in a residential installation. This equipment generates, uses and can radiate radio frequency energy and, if not installed and used in accordance with the instructions, may cause harmful interference to radio communications. However, there is no guarantee that interference will not occur in a particular installation. If this equipment does cause harmful interference to radio or television reception, which can be determined by turning the equipment off and on, the user is encouraged to try to correct the interference by one or more of the following measures:

Reorient or relocate the receiving antenna.

Increase the separation between the equipment and receiver.

Connect the equipment into an outlet on a circuit different from that to which the receiver is connected.

Consult the dealer or an experienced radio/TV technician for help.

Caution: Any changes or modifications to this device not explicitly approved by manufacturer could void your authority to operate this equipment.

This device complies with part 15 of the FCC Rules. Operation is subject to the following two conditions: (1) This device may not cause harmful interference, and (2) this device must accept any interference received, including interference that may cause undesired operation.

### RF Exposure Information

This equipment complies with FCC radiation exposure limits set forth for an uncontrolled environment. This equipment should be installed and operated with minimum distance 20cm between the radiator and your body.



CONNECTING THINGS TO LIFE

Version 1.0