



WBTWNER

WBTWNER is a 5V DC or a micro-USB-powered gateway with RTC that provides cloud connectivity to the Wisilica proprietary BLE mesh Network. The device comes with an Ethernet port also supports zero-downtime Over-the-Air (OTA) firmware updates for mesh devices.



Table of Contents

- 1. Features..... 3
- 2. Specifications 3
- 3. Device Dimensions..... 4
- 4. Use Cases 5
- 5. Warning..... 6
- 6. Ordering Information 6

1. Features

- Wi-Fi / BLE 5.2 Gateway providing ubiquitous connectivity to BLE devices
- Support 802.11 b/g/n modes
- Unit powered by a micro-USB or a 5V DC adaptor or ¹Power over Ethernet (PoE)
- Single Ethernet port
- CR2032 coin-cell battery powered RTC with 10 years life
- LED indications for power, BLE and Wi-Fi status
- Support zero downtime Over-the-Air (OTA) firmware updates for mesh devices

¹Only for WBTWNPR model

2. Specifications

Electrical	Min.	Typ.	Max.	Unit	Remarks
Input Voltage		5		V	Micro-USB / DC adaptor
Input Current		2		A	Micro-USB / DC adaptor
Input voltage for RTC		3		V	CR2032 coin-cell battery

Wi-Fi	Min.	Typ.	Max.	Unit	Remarks
Frequency Band	2400		2480	MHz	IEEE 802 Part 11b/g/n
Output Power	12	13	14	dBm	11n, MCS7
	17.5	18.5	20	dBm	11b mode

Ethernet	Min.	Typ.	Max.	Unit	Remarks
Speed	10		100	Mbps	10/100 Ethernet port, Supports PoE

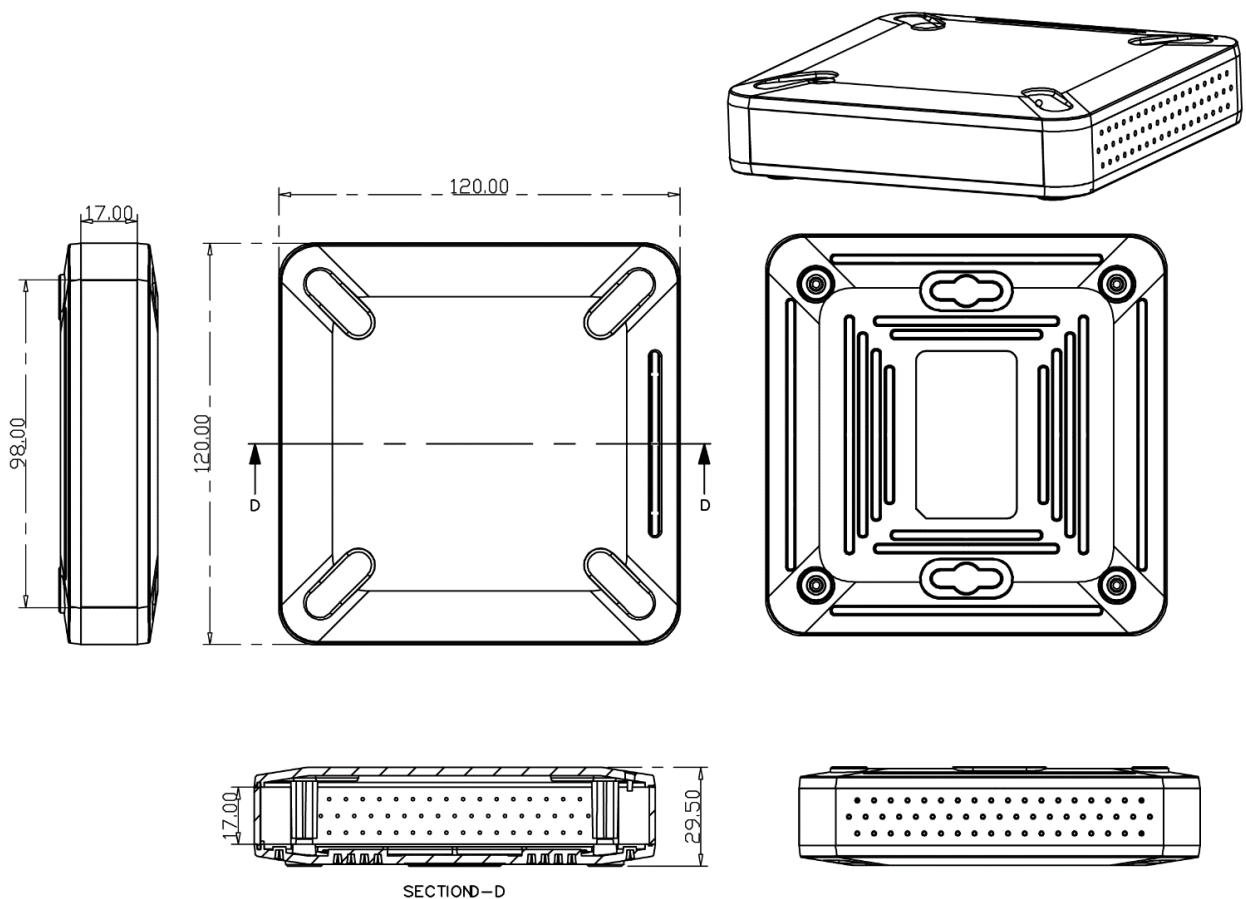
Bluetooth	Min.	Typ.	Max.	Unit	Remarks
Frequency Range	2400		2480	MHz	
TX Output Power			8	dBm	Conductive
RX Sensitivity		-92		dBm	@1Mbps

Environmental	Min.	Typ.	Max.	Unit	Remarks
Operating Temperature	-20		55	°C	
Storage Temperature	-20		85	°C	
Relative Humidity			85	%	

Mechanical	Min.	Typ.	Max.	Unit	Remarks
Dimensions		120.0 x 120.0x 29.5		mm	L x W x H
Dimensions		4.7 x 4.7 x 1.2		in	L x W x H

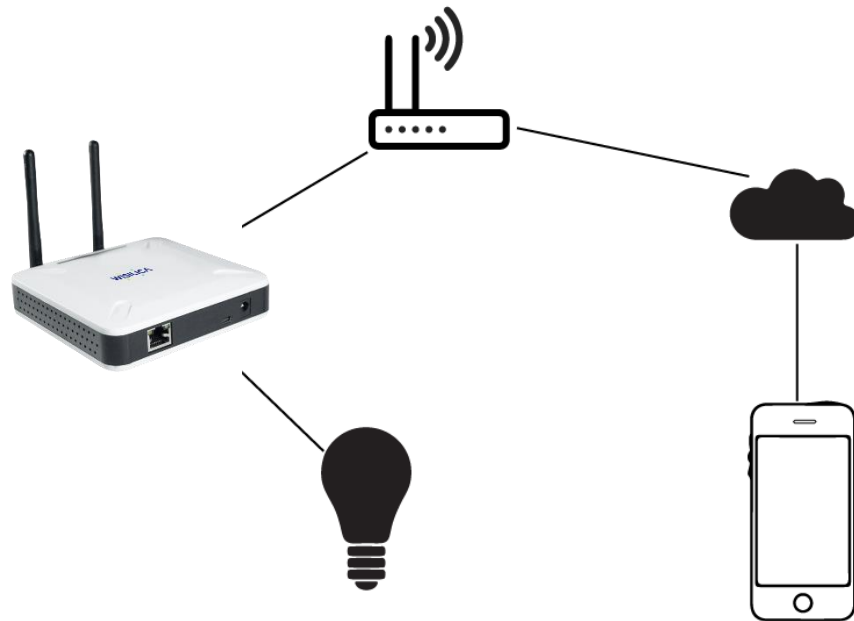
3. Device Dimensions

All dimensions are in mm

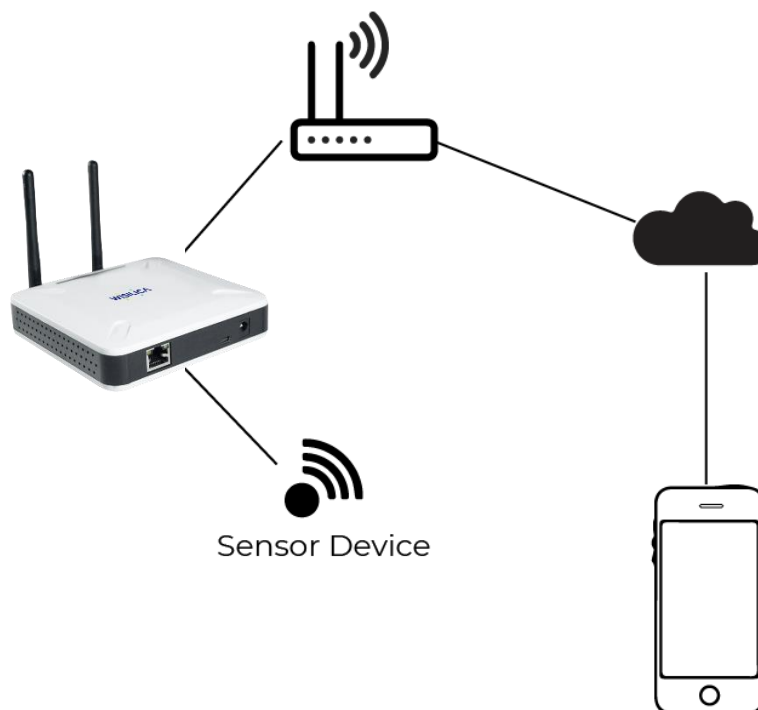


4. Use Cases

1. Remote device operation



2. Sensor data to Cloud



5. Warning

1. To prevent the device from any defect, please handle and store it with care.
2. Do not store in very humid location or at extreme temperature.
3. Do not open or disassemble the product.
4. Do not expose this apparatus to rain or moisture. The apparatus shall not be exposed to dripping or splashing and that objects filled with liquids, such as vases, shall not be placed on apparatus.

6. Ordering Information

Product Code	Product Name	Communication	Voltage Rating	RTC	Ethernet
WBTWNR	Wi-Fi - BLE Gateway with RTC	BLE5.2 / Wi-Fi	5V/2A (micro-USB or DC adaptor)	Yes	No
WBTWNE	Wi-Fi - BLE Gateway with Ethernet	BLE5.2 / Wi-Fi	5V/2A (micro-USB or DC adaptor)	No	Yes
WBTWNER	Wi-Fi - BLE Gateway with Ethernet and RTC	BLE5.2 / Wi-Fi	5V/2A (micro-USB or DC adaptor)	Yes	Yes
WBTWNPR	Wi-Fi - BLE Gateway with PoE and RTC	BLE5.2 / Wi-Fi	5V/2A (micro-USB/ DC adaptor/ PoE)	Yes	Yes

FCC Statement

This equipment has been tested and found to comply with the limits for a Class B digital device, pursuant to part 15 of the FCC Rules. These limits are designed to provide reasonable protection against harmful interference in a residential installation. This equipment generates, uses and can radiate radio frequency energy and, if not installed and used in accordance with the instructions, may cause harmful interference to radio communications. However, there is no guarantee that interference will not occur in a particular installation. If this equipment does cause harmful interference to radio or television reception, which can be determined by turning the equipment off and on, the user is encouraged to try to correct the interference by one or more of the following measures:

- Reorient or relocate the receiving antenna.
- Increase the separation between the equipment and receiver.
- Connect the equipment into an outlet on a circuit different from that to which the receiver is connected.
- Consult the dealer or an experienced radio/TV technician for help.

Caution: Any changes or modifications to this device not explicitly approved by manufacturer could void your authority to operate this equipment.

This device complies with part 15 of the FCC Rules. Operation is subject to the following two conditions: (1) This device may not cause harmful interference, and (2) this device must accept any interference received, including interference that may cause undesired operation.

RF Exposure Information

This equipment complies with FCC radiation exposure limits set forth for an uncontrolled environment. This equipment should be installed and operated with minimum distance 20cm between the radiator and your body.



CONNECTING THINGS TO LIFE

WiSilica Inc
23282 Mill Creek Dr #340, Laguna Hills, CA 92653
United States of America

info@wisilica.com www.wisilica.com

Version 1.1