

Cyrus AM

Cyrus AM is a BLE5.2 controllable high bay Microwave motion and daylight sensor. This sensor operates on a 90-277VAC input voltage range adopts a 5.8 GHz Microwave sensing technology for accurate motion detection. It can be mounted at a maximum height of 7m and provides a maximum detection range of 17m diameter. The sensor can be mounted to the ceiling or at the



Table Of Contents

1. Features.....	3
2. Specifications.....	3
3. Sensor Characteristics.....	4
4. Device Dimensions.....	4
5. Wire Description.....	5
6. Wiring Diagram.....	5
7. Accessories.....	6
8. Warning.....	7
9. Ordering Information.....	7

Cyrus AM

1. Features

- High-bay motion and daylight sensor, with mounting height up to 7m
- BLE 5.2 based non flooding wireless communication
- 90-277VAC universal AC input voltage range
- 5.8GHz Microwave sensor for accurate motion detection
- Motion detection range up to 17m diameter

2. Specifications

Electrical	Min.	Typ.	Max.	Unit	Remarks
Input Voltage	90		277	VAC	
Input Frequency	50		60	Hz	
Input Current			9	mA	9mA@230VAC
			15	mA	15mA@90VAC

Sensor	Min.	Typ.	Max.	Unit	Remarks
Motion Sensing Technology		5.8		GHz	C- band Microwave
Mounting Height				ft	Use 19.8-23 ft height for best output.
	4		7	m	Use 6-7m height for best output.
Detection Range				ft	Diameter, @19.8 ft mounting height
		17		m	Diameter, @7m mounting height

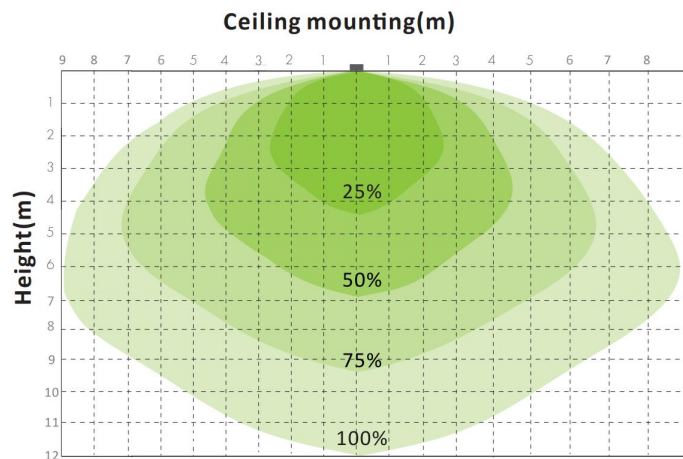
Bluetooth	Min.	Typ.	Max.	Unit	Remarks
Frequency Range	2402		2480	MHz	
TX Power			8.0	dBm	With 150mm wire antenna
RX sensitivity		-95		dBm	

Environmental	Min.	Typ.	Max.	Unit	Remarks
Operating Temperature	0		80	°C	

Cyrus AM

Mechanical	Typ.	Unit	Remarks
Dimensions	59.8 x 63.1	mm	Diameter x Height
	2.3 x 2.5	inch	Diameter x Height
Weight	85.0	g	In grams
	3.0	oz	In ounces

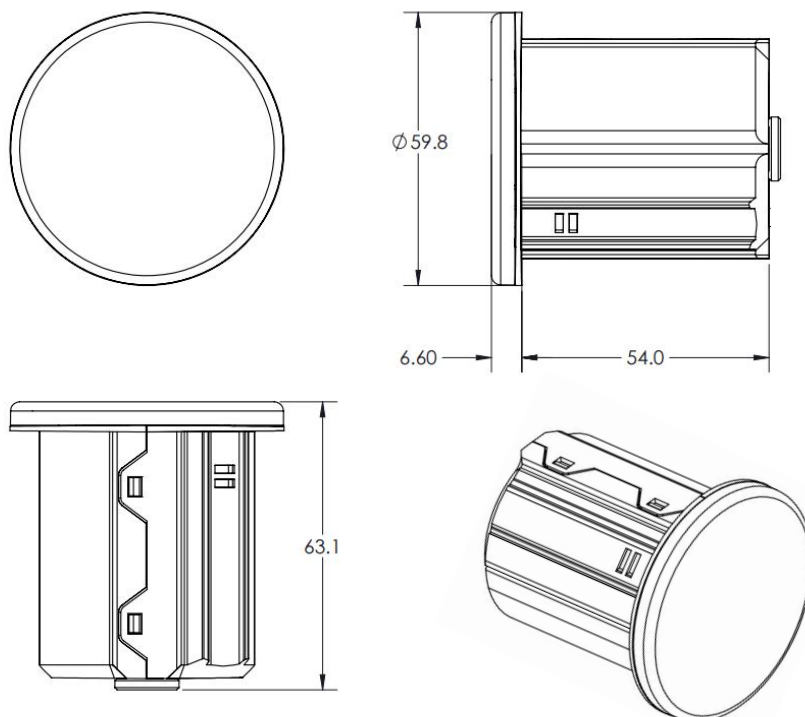
3. Sensor Characteristics



4. Device Dimensions

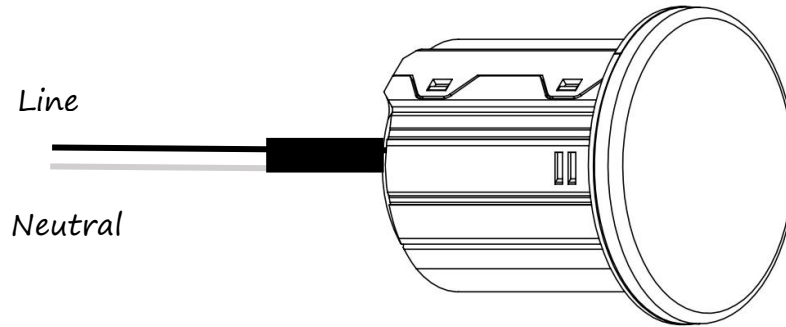
Dimensions are in mm

Case material: ABS, white color



Cyrus AM

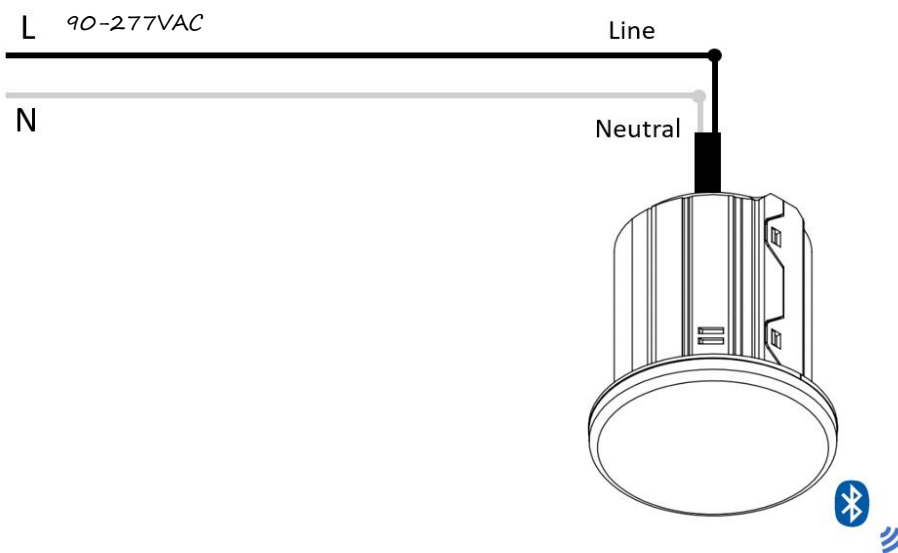
5. Wire Description



NO.	WIRE NAME	DESCRIPTION	SPECIFICATIONS
1	Line	90-277VAC input line	24AWG, 600V, Black color
2	Neutral	AC input neutral	24AWG, 600V, White color

6. Wiring Diagram

Cyrus AM is powered via AC supply to communicate sensor data wirelessly with other WiSilica BLE mesh devices.



Cyrus AM

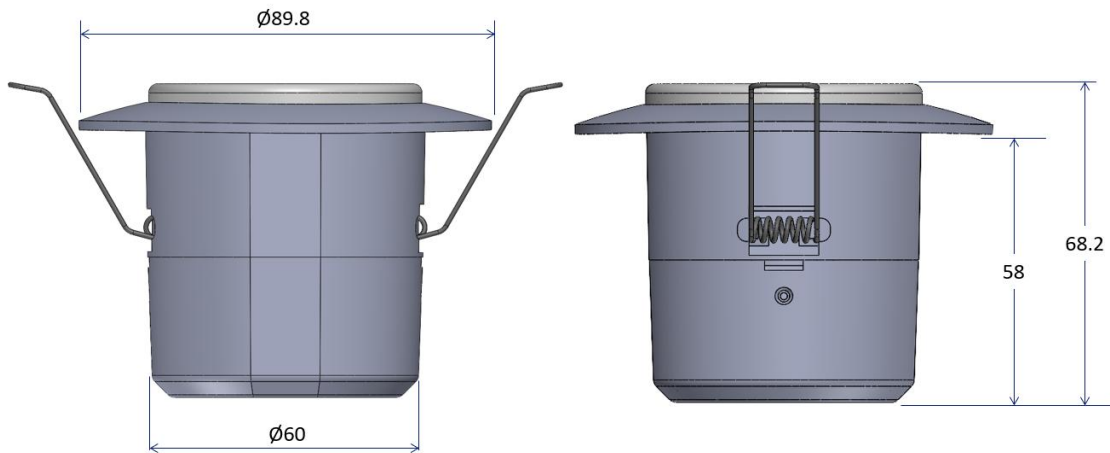
7. Accessories

Cyrus AM can be mounted to ceiling or at surface using the following mounting accessories.

a. Cyrus AM with ceiling mount accessory

Dimension: 89.8 x 68.2 mm (Top Diameter x Height)

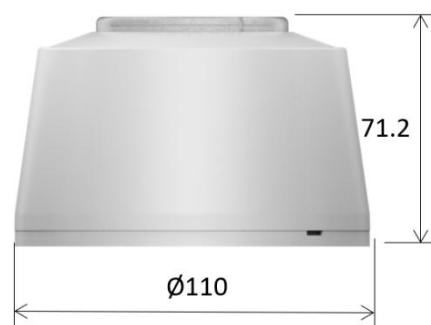
Case Material: ABS, White colour



b. Cyrus AM with surface mount accessory

Dimension: 110 x 71.2 mm (Bottom Diameter x Height)

Case Material: ABS, White colour



Cyrus AM

8. Warning

1. Ensure that electricity supply is switched off completely before installation or servicing the product.
2. To prevent the device from any defect, please handle and store it with care.
3. Do not open or disassemble the product.
4. To prevent injury, this apparatus must be securely installed.
5. To reduce the risk of fire or electric shock, do not expose this apparatus to rain or moisture. The apparatus shall not be exposed to dripping or splashing and that objects filled with liquids, such as vases, shall not be placed on apparatus.

9. Ordering Information

Product Code	Product Description	Voltage Rating	Mounting Height	Detection Range	Mounting
WMAM	Wireless Microwave Motion & Daylight Sensor	90-277VAC	7m	17m diameter	-
WMAM-C	Wireless Microwave Motion & Daylight Sensor with Ceiling Mount Accessory	90-277VAC	7m	17m diameter	Ceiling
WMAM-S	Wireless Microwave Motion & Daylight Sensor with Surface Mount Accessory	90-277VAC	7m	17m diameter	Surface

FCC Statement

This equipment has been tested and found to comply with the limits for a Class B digital device, pursuant to part 15 of the FCC Rules. These limits are designed to provide reasonable protection against harmful interference in a residential installation. This equipment generates, uses and can radiate radio frequency energy and, if not installed and used in accordance with the instructions, may cause harmful interference to radio communications. However, there is no guarantee that interference will not occur in a particular installation. If this equipment does cause harmful interference to radio or television reception, which can be determined by turning the equipment off and on, the user is encouraged to try to correct the interference by one or more of the following measures:

- Reorient or relocate the receiving antenna.
- Increase the separation between the equipment and receiver.
- Connect the equipment into an outlet on a circuit different from that to which the receiver is connected.
- Consult the dealer or an experienced radio/TV technician for help.

Caution: Any changes or modifications to this device not explicitly approved by manufacturer could void your authority to operate this equipment.

This device complies with part 15 of the FCC Rules. Operation is subject to the following two conditions: (1) This device may not cause harmful interference, and (2) this device must accept any interference received, including interference that may cause undesired operation.

RF Exposure Information

This equipment complies with FCC radiation exposure limits set forth for an uncontrolled environment. This equipment should be installed and operated with minimum distance 20cm between the radiator and your body.



23282 Mill creek Dr #340 Laguna
Hills, CA 92653 USA

 sales@wisilica.com  www.lumoscontrols.com

Version 1.0