



EXTERNAL MOUNTING TRAY QUICK START GUIDE

Copyright 2010 - 2023, Persistent Systems, LLC. All rights reserved. Wave Relay® is a registered trademark of Persistent Systems, LLC ("Persistent"). This Quick Start Guide (the "Guide") contains information that is the sole property of Persistent Systems, LLC. Therefore, the Guide may not be excerpted, summarized, copied, distributed, or otherwise published, in whole or in part, without the prior written permission of Persistent Systems, LLC. All other product and service names, trademarks, logos, and brands are property of their respective owners. All non-Persistent company, product, and service names and all non-Persistent trademarks used in this Guide are for identification purposes only. Use of these non-Persistent names, trademarks, logos, and brands does not imply endorsement. Product specifications are subject to change without notice. This material is provided for informational purposes only. Persistent Systems, LLC assumes no liability related to the use of this Guide and expressly disclaims any implied warranties of merchantability or fitness for any particular purpose.

External Mounting Tray Quick Start Guide



WARNING!

Use of this product is strictly at your own risk.

Do **NOT** use this product except as directed.

Failure to obey the warnings listed in this document may result in harm to you and/or to your property. The possible harms include, but are not limited to, exposure to flammable materials, smoke inhalation, serious burns, and property damage from fire.

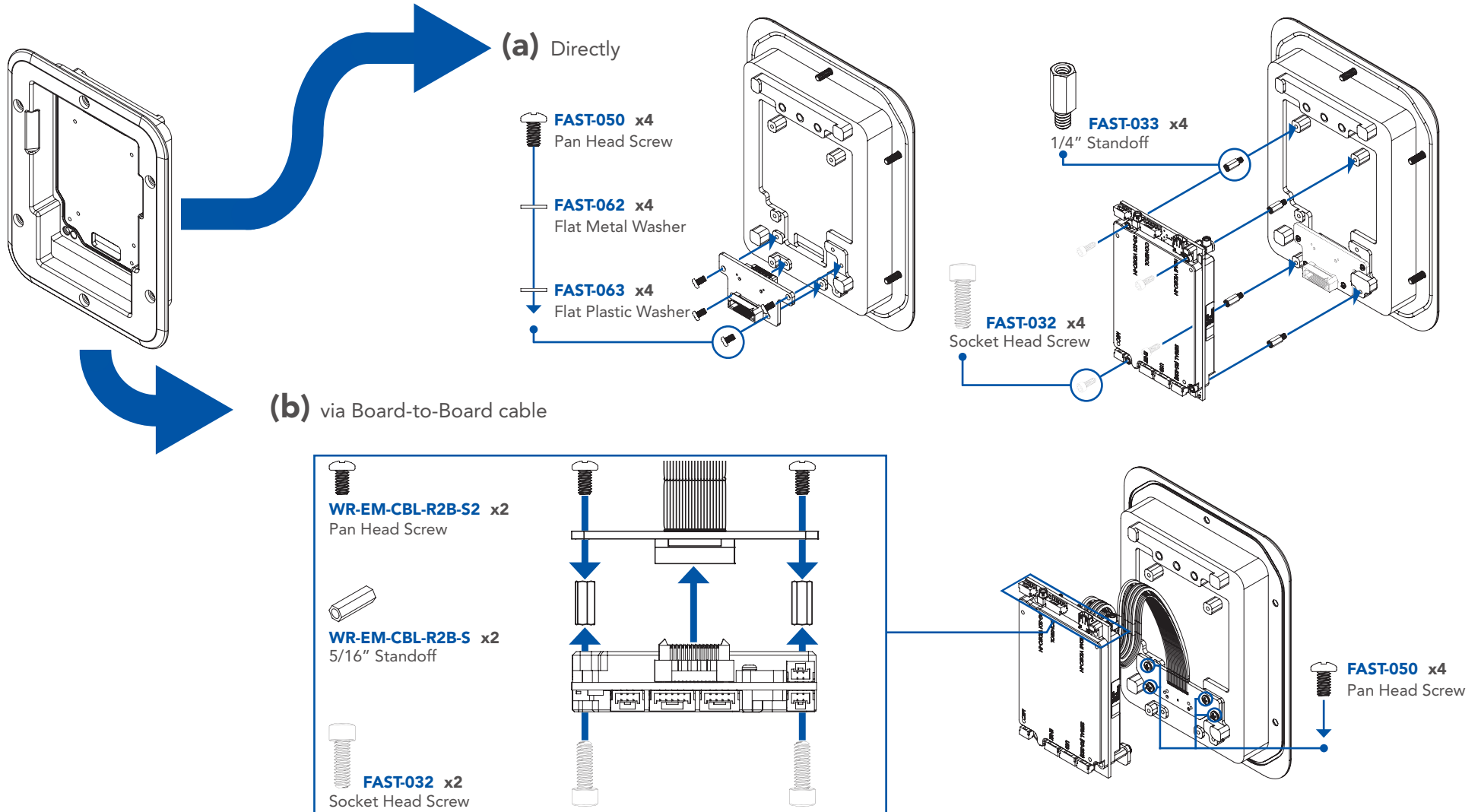


WARNING!

Embedded Modules will not communicate with MPU5s running firmware version 19.0.6 or below. Upgrade all MPU5s and Embedded Modules to firmware version 19.1.0 or above.

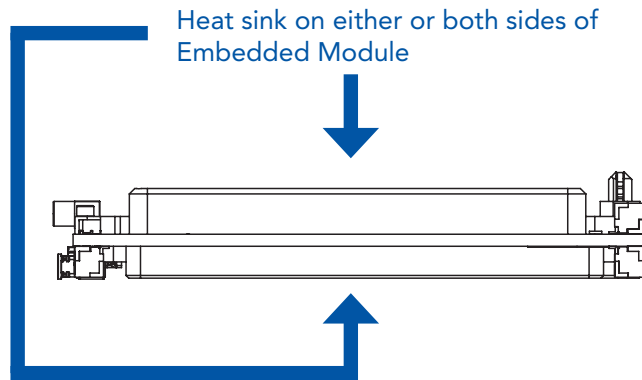


1 Connect Embedded Module to External Mounting Tray:

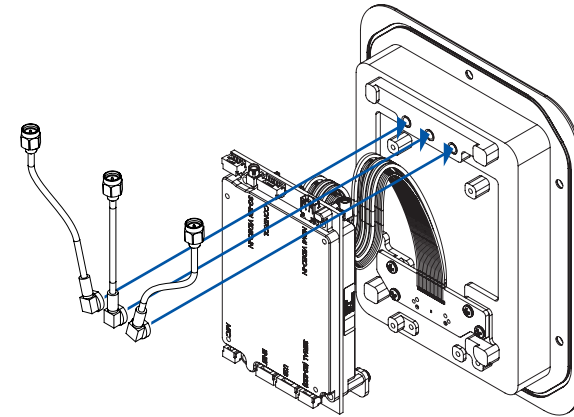


2 Apply Heat Sink(s):

- ▶ Use a heat sink or mount to a surface capable of heat dissipation as defined in the **Embedded Module ICD** (Persistent Systems Drawing No. **001-680**).

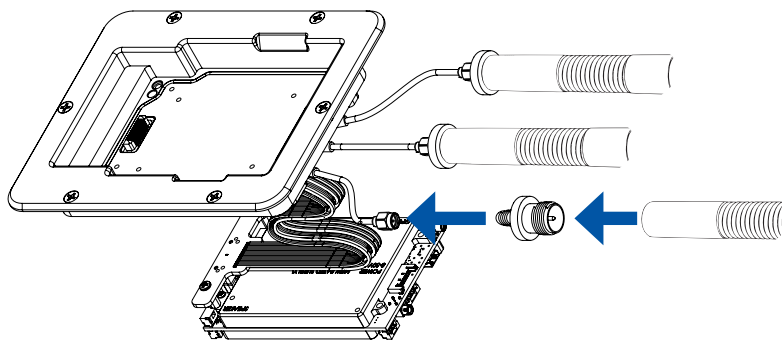


3 Connect RF pigtails:

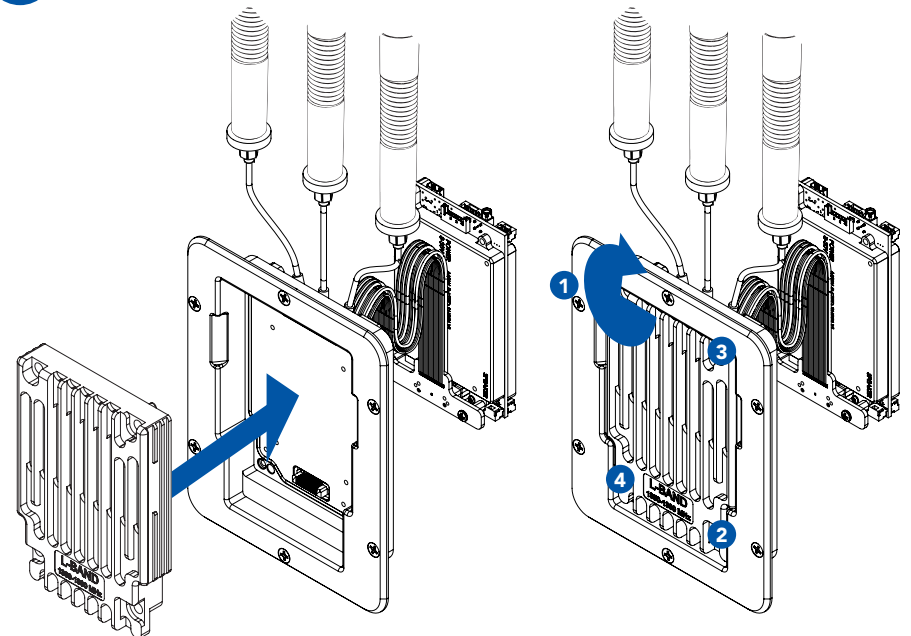


4 Connect antennas or RF cabling:

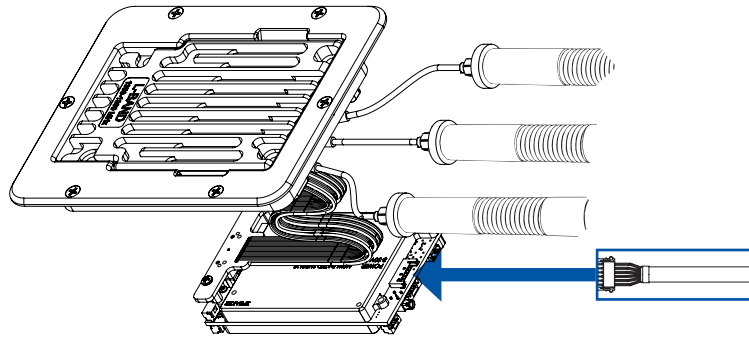
- ! WARNING!**
Radios may be damaged if powered on **without connected antennas**.



5 Insert Radio Module:

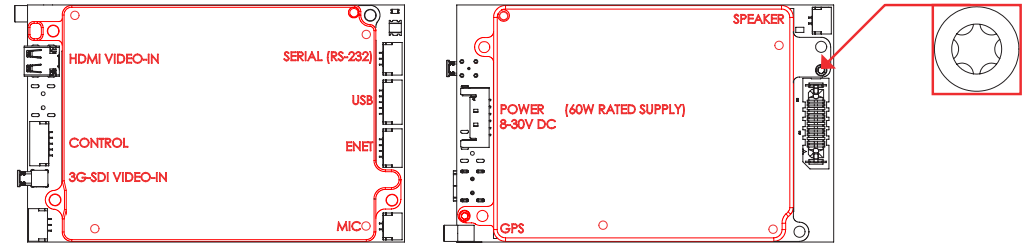


5 Connect power:



! WARNING!

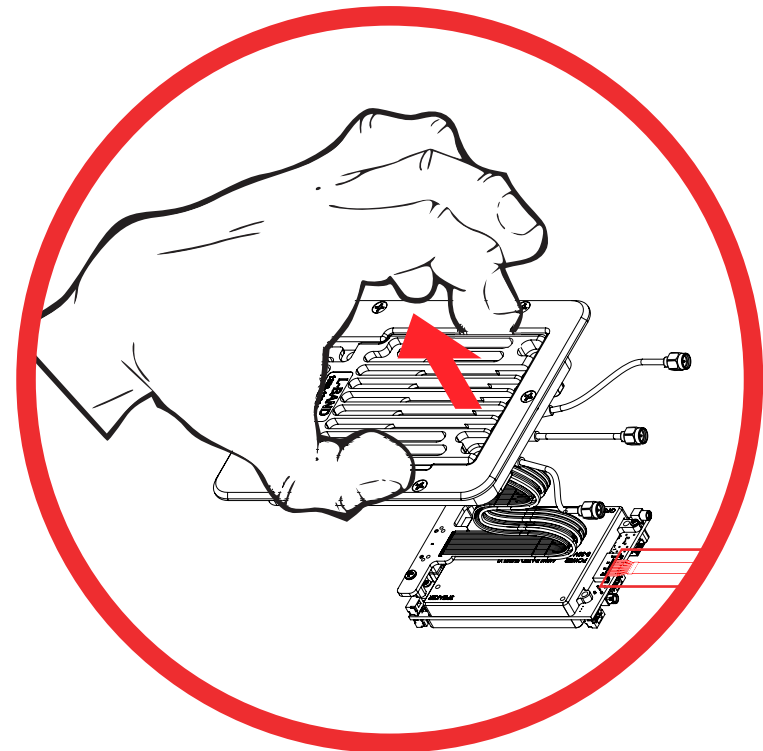
DO NOT remove the preinstalled heat sink and EMI shield that are attached with Torx screws under any circumstances.



! WARNING!

DO NOT remove the radio module from the Embedded Module while power is connected.

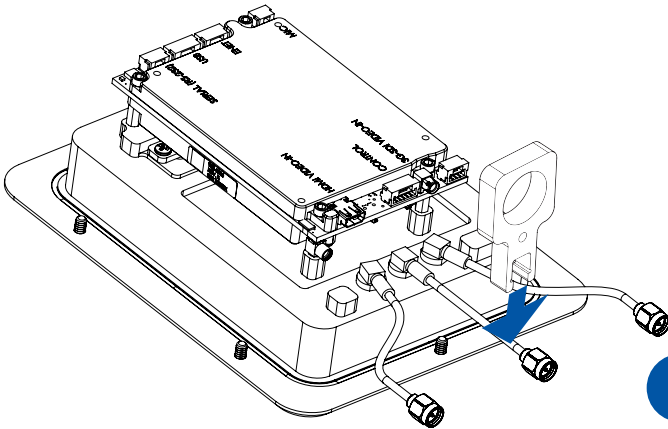
DO NOT remove heat sinks under any circumstances.



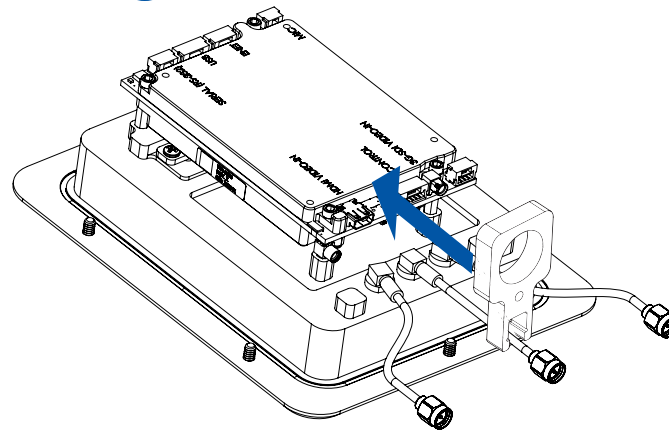
External Mounting Tray Quick Start Guide

RF Cable Removal

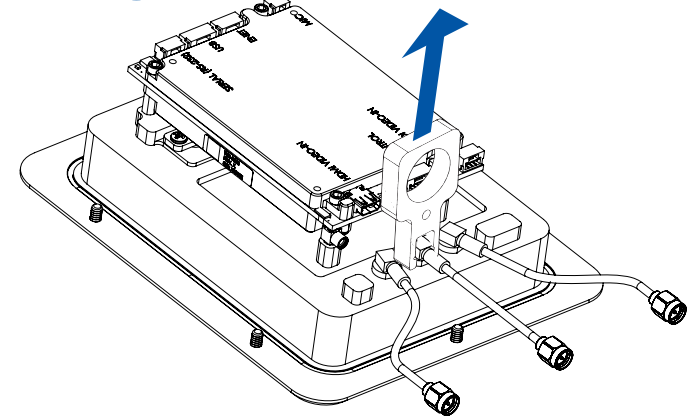
1 Put SMP Removal Tool over Cable:



2 Slide over connector:



3 Pull up:



External Mounting Tray Quick Start Guide

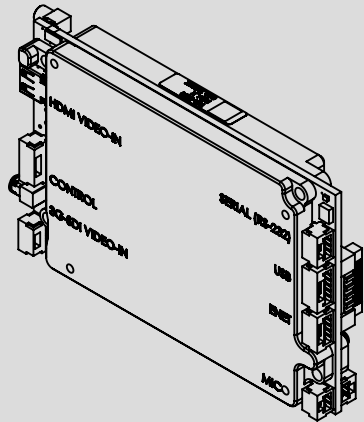
Embedded Module USB Configuration: Hardware Configuration

WARNING!
Other cable configurations than the host-device configurations shown below are invalid and risk damaging both the computer and connected Embedded Module

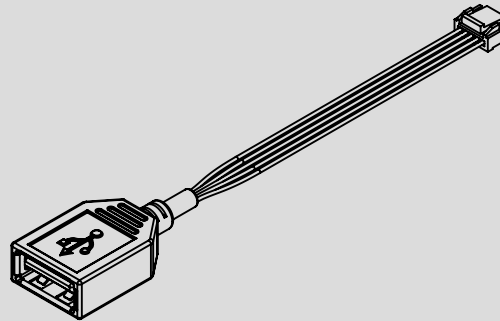
WARNING! - Embedded Module Grounding
All shields, heatsinks, mounting holes, and DC return paths share the same electrical connection (GND). However, when the system is properly installed and wired, the design ensures that the return current takes the designated paths, which are not through metal structural elements such as mounting holes, heatsinks, and fasteners.
All power lines are to originate and be terminated at the power supply, as opposed to the chassis.

Valid USB Connections

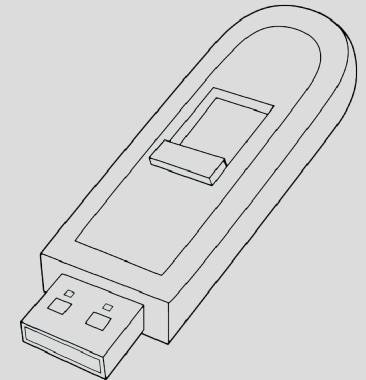
Option A: Embedded Module as USB Host



USB Host



USB Host Cable



USB Device

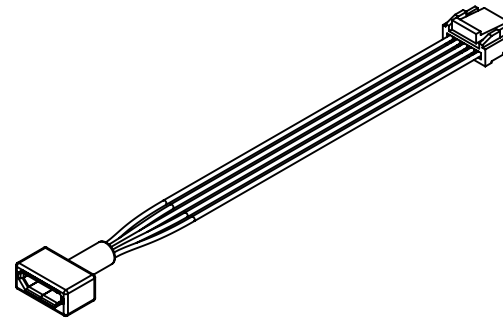
Option B: Embedded Module as USB Device



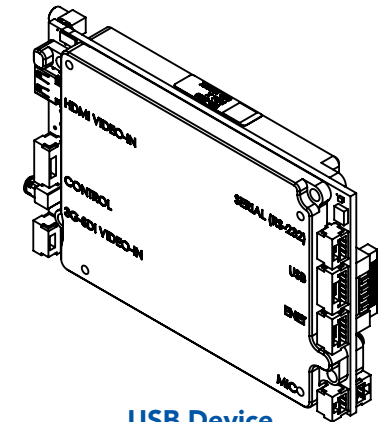
USB Host



USB Male to USB Male Cable



Micro USB B Device Cable

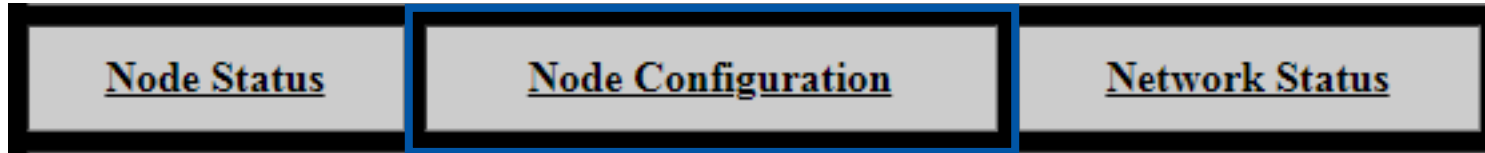


USB Device

External Mounting Tray Quick Start Guide

Embedded Module USB Configuration: Hardware Configuration

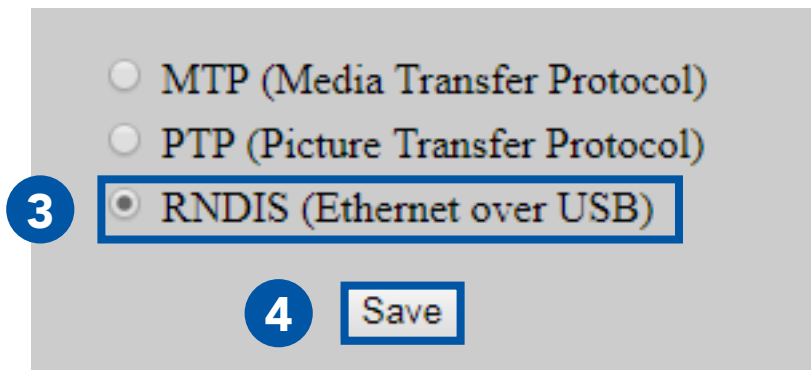
1 Click [Node Configuration](#)



2 Click [USB Device](#)



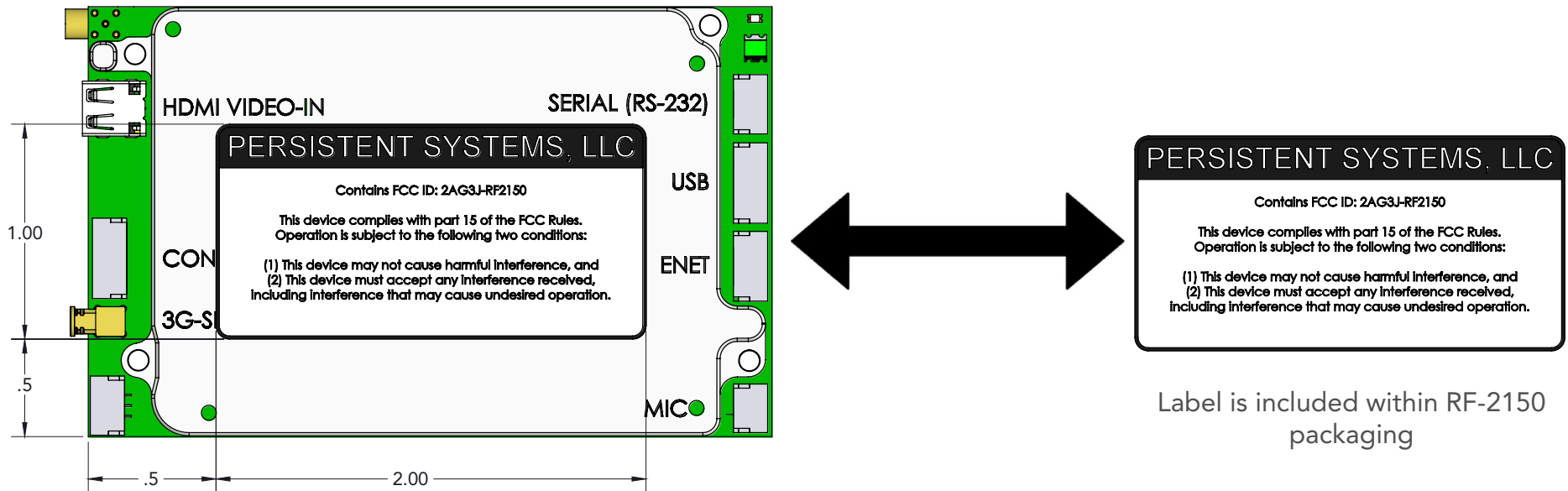
3 Set to [RNDIS \(Ethernet over USB\)](#)



4 Click [Save](#)

Professional Installer – Compliance (USA)

When the Embedded Module is paired with RF-2150, professional installer is responsible for attaching included label to the Embedded Module in this location.



Note I: please note that if the FCC identification is not visible when the module is installed inside another device, then the outside of the device into which the module is installed must display a label referred to the enclosed module.

Note II: the manufacturer is not responsible for any radio or TV interference caused by unauthorized modifications to this equipment. Such modifications could void the user's authority to operate the equipment.

This equipment complies with FCC radiation exposure limits set for an uncontrolled environment. This equipment should be installed and operated with minimum distance 20cm between the radiator and your body. This transmitter must not be co-located or operating in conjunction with any other antenna or transmitter.