

95 MM

REMOTE CONTROL BULLET BATTERY INSTRUCTIONS

THE
COWGIRL
PREMIUM SEX MACHINE

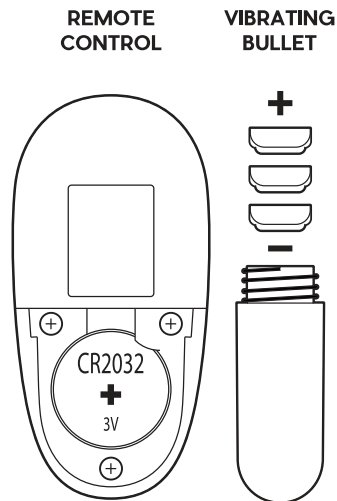
Insert batteries into your vibrating bullet and remote as shown. Inserting the batteries incorrectly may harm your device.

1. **REMOTE CONTROL:** Before first use, slide off the battery cover and **remove protective sheet**. Ensure that the CR2032 battery's **Negative** side is facing down. Reattach the cover.

2. **VIBRATING BULLET:** Before first use, unscrew the battery cover and **remove protective sheet**, reattach the base. When replacing batteries, insert 3 LR44 batteries with the **Negative** side facing down into the bullet.

3. Turn ON your bullet by **pressing and holding the power button for 3 seconds**. Red light on the bullet will turn on indicating power is on. To turn OFF your bullet, **press and hold the power button for 4 seconds**, red light will turn off when power is off.

4. To change the vibrating speed & pattern, **press button on the remote control**.



FCC Caution.

This device complies with part 15 of the FCC Rules. Operation is subject to the following two conditions: (1) This device may not cause harmful interference, and (2) this device must accept any interference received, including interference that may cause undesired operation.

Any Changes or modifications not expressly approved by the party responsible for compliance could void the user's authority to operate the equipment.

Note: This equipment has been tested and found to comply with the limits for a Class B digital device, pursuant to part 15 of the FCC Rules. These limits are designed to provide reasonable protection against harmful interference in a residential installation. This equipment generates uses and can radiate radio frequency energy and, if not installed and used in accordance with the instructions, may cause harmful interference to radio communications. However, there is no guarantee that interference will not occur in a particular installation. If this equipment does cause harmful interference to radio or television reception, which can be determined by turning the equipment off and on, the user is encouraged to try to correct the interference by one or more of the following measures:

- Reorient or relocate the receiving antenna.
- Increase the separation between the equipment and receiver.
- Connect the equipment into an outlet on a circuit different from that to which the receiver is connected.
- Consult the dealer or an experienced radio/TV technician for help.

* RF warning for Portable device:

The device has been evaluated to meet general RF exposure requirement. The device can be used in portable exposure condition without restriction.

FCC ID: 2AG2K-LR44RCBV

95 MM