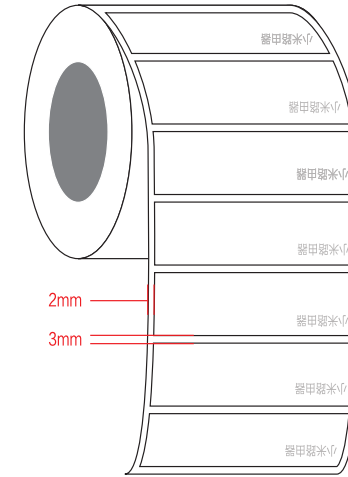


来料图：



xiaomi Mi Router 4C

Model: R4CM Input Voltage: 5V/1A Made in China
 Manufactured By: Xiaomi Communications Co., Ltd.
 Address: #019, 5th Floor, Building 6, 33 X'erqi Middle Road, Haidian District, Beijing, China, 100085

FCC ID: 2AFZZR4CM

This device complies with part 15 of the FCC Rules. Operation is subject to the following two conditions:
 (1) This device may not cause harmful interference, and (2) this device must accept any interference received, including interference that may cause undesired operation.

样品

样品数量 ▶

审核人员

设计主管 ▶

产品经理 ▶

质量工程 ▶

认证工程 ▶

软件测试 ▶

助厂工程 ▶

FCPMR ▶

FCPMP ▶

FCPRD ▶

通知人员

项目经理 ▶

采购经理 ▶

 项目号 ▶ M47UK
M47US

物料编码 ▶

印刷颜色 ▶ Pantone Cool Gary 10C

 物料材质 ▶

1. 面材材质: 75 番白色 PET
2. 面材厚度及公差: 0.075 +/- 0.05mm
3. 面材颜色: 白色
4. 背胶规格: 永久性丙烯酸乳胶
5. 背胶厚度及公差: 0.025 +/- 0.03mm
6. 初期力: 8.0N/25mm

7. 180°粘着力: 10N/in
8. 保持力: >24H 以上
9. 90°剥离力: 7.5N/25mm
10. 覆可打印哑光膜厚度: 0.05mm
11. 耐酒精碳带

设计于 ▶

物料名称 ▶

 成品尺寸 ▶ 大标签: 131.3 x 12.4 mm R=0.7mm
小标签: 131.3 x 7.5 mm R=0.7mm

小贴纸位置

