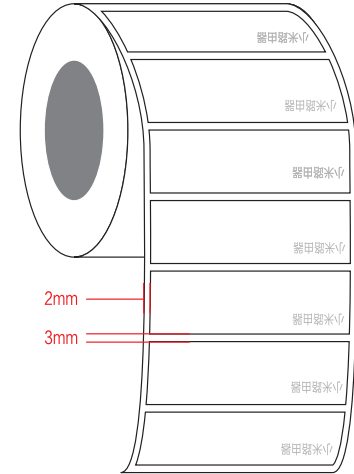


来料图:




xiaomi Mi Router 4A Gigabit Edition
 Model:R4A Input Voltage:12V±1A Made in China
 Manufactured By: Xiaomi Communications Co., Ltd.
 Address: #019, 9th Floor, Building 6, 33 Xiyi Middle Road, Haidian District, Beijing, China, 100085

FCC ID: 2AFZZR4A
 This device complies with part 15 of the FCC Rules. Operation is subject to the following two conditions:
 (1) This device may not cause harmful interference, and (2) this device must accept any interference received, including interference that may cause undesired operation.

样品

样品数量 ▶

审核人员

- 设计主管 ▶
- 产品经理 ▶
- 质量工程 ▶
- 认证工程 ▶
- 软件测试 ▶
- 助厂工程 ▶
- FCPMR ▶
- FCPMP ▶
- FCPRD ▶

通知人员

- 项目经理 ▶
- 采购经理 ▶

项目号 ▶ M43UK M43US	物料编码 ▶	印刷颜色 ▶ Pantone Cool Gary 10C	物料材质 ▶ 1.面材材質: 75番白色PET 2.面材厚度及公差: 0.075 +/-0.05mm 3.面材顏色: 白色 4.背膠規格: 永久性丙烯酸乳膠 5.背膠厚度及公差: 0.025 +/-0.03mm 6.初期力: 8.0N/25mm 7.180°粘著力 10N/in 8.保持力: 24H以上 9.90°剝離力: 7.5N/25mm 10.覆可打印啞光膜厚度0.05mm 11.耐酒精碳帶
设计于 ▶	物料名称 ▶	成品尺寸 ▶ 大标签: 131.3 x 12.4 mm R=0.7mm 小标签: 131.3 x 7.5 mm R=0.7mm	

小贴纸位置

Label location

