

Antenna_Performance_Description

Applicant: Xiaomi Communications Co., Ltd

Product description: Mobile Phone

Model Name: 23049PCD8G

FCC ID: 2AFZZPCD8G

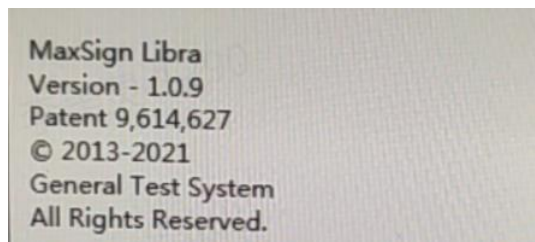
Test date: 2022/12/29

Antenna	Model Name	Antenna Pattern	Antenna Type	Manufacturer	Test party of Antenna gain
ANT9	AL HZH5.9	Metal Frame	PIFA Antenna	Huizhou Winone Precision Technology Co.,Ltd. (Address: xinwanda Industrial Park, Dongpo Avenue, Yuanzhou Town, BOLUO County) TONGDA (Xiamen)TECHNOLOGY CO.,LTD. (No. 89 DingShan Middle Road, Dongfu Town, Haicang District, Xiamen City, Fujian Province, 361027, P.R.China)	BeiJing Innowave Communication Technology Co.,Ltd Luxshare Precision Industry Co., Ltd
ANT10/1 1		Metal Frame	PIFA Antenna	Huizhou Winone Precision Technology	BeiJing Innowave Communication

	AL HZH5.9			Co.,Ltd. (Address: xinwanda Industrial Park, Dongpo Avenue, Yuanzhou Town, BOLUO County) TONGDA (Xiamen)TECHNOLOGY CO.,LTD. (No. 89 DingShan Middle Road, Dongfu Town, Haicang District, Xiamen City, Fujian Province, 361027, P.R.China)	Technology Co.,Ltd Luxshare Precision Industry Co., Ltd
NFC (38.5m m×24m m×0.2m m)	FPC antenna	N/A	Coil Antenna	Kunshan Innowave Communication Technology Co., Ltd. (No.1689,Zizhu Road, Yushan Town, Kunshan City,Jiangsu Province,China)	N/A

Test instrument:GTS2800

Software version



ANT9:

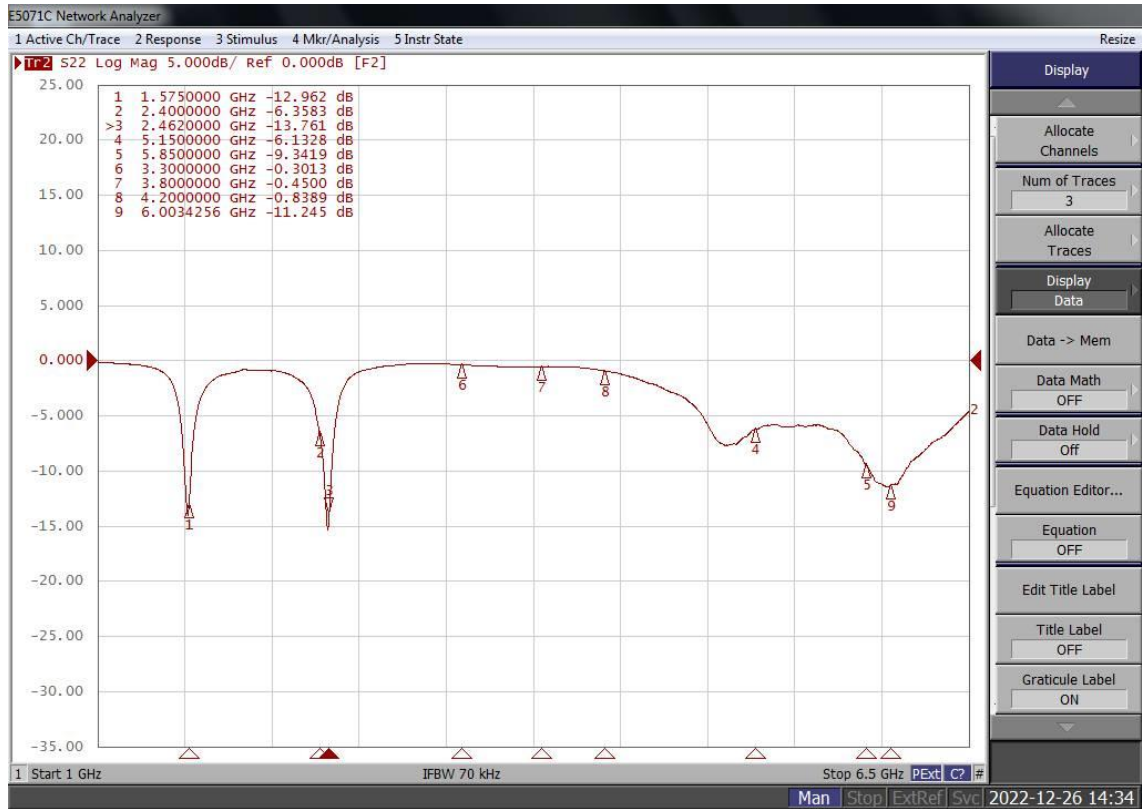
Band	ant9	
	Effi.(dBi)	peak gain(dBi)
2.4G	-5.7	-1.1
5G (5.15-5.25GHZ)	-6.3	-1.8
5G (5.25-5.35GHZ)	-5.6	-1.3
5G (5.47-5.725GHZ)	-5.3	-0.2

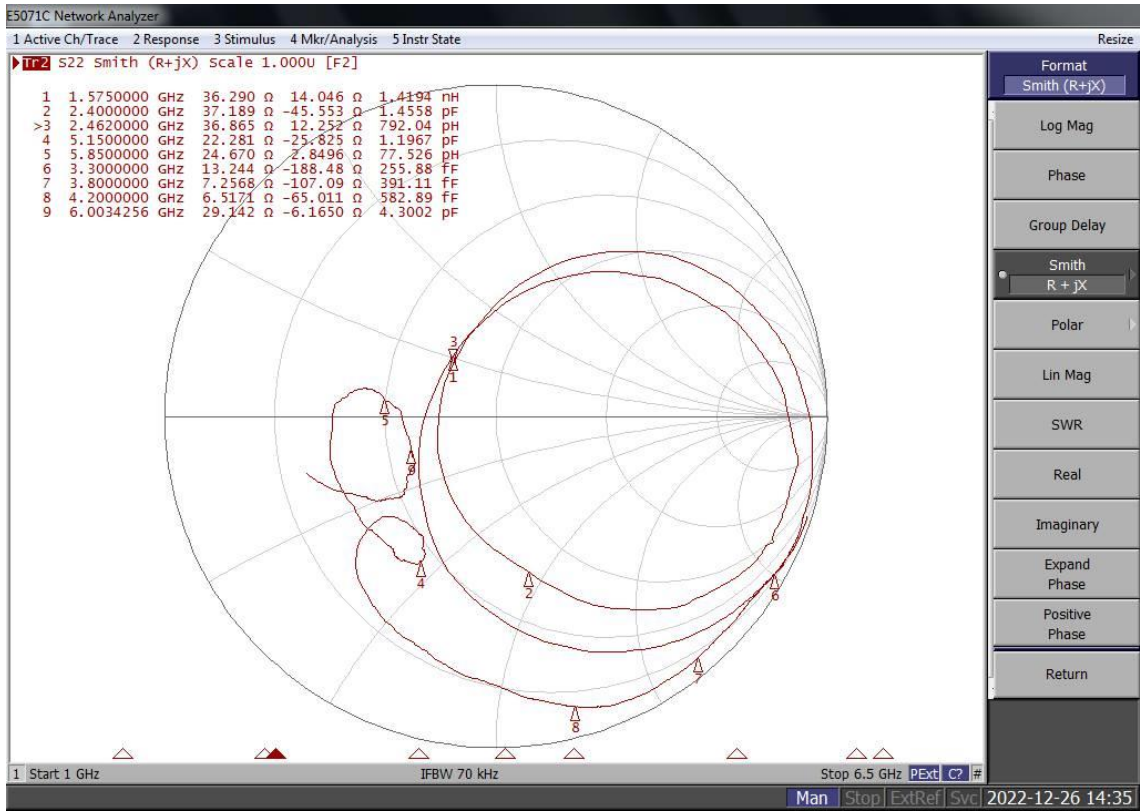
5G (5.725-5.85GHZ)

-4.9

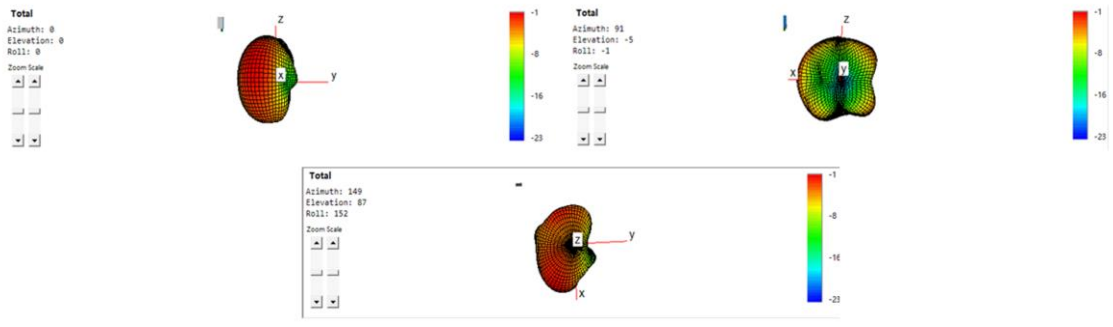
0.0

S11:

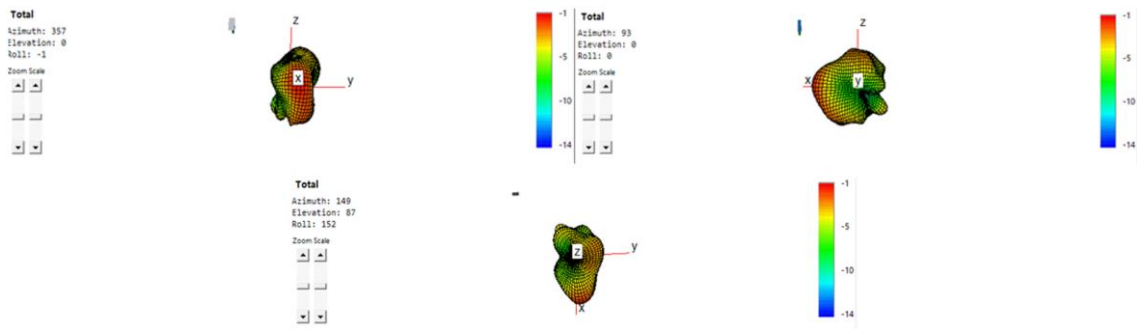




2450:



5300:

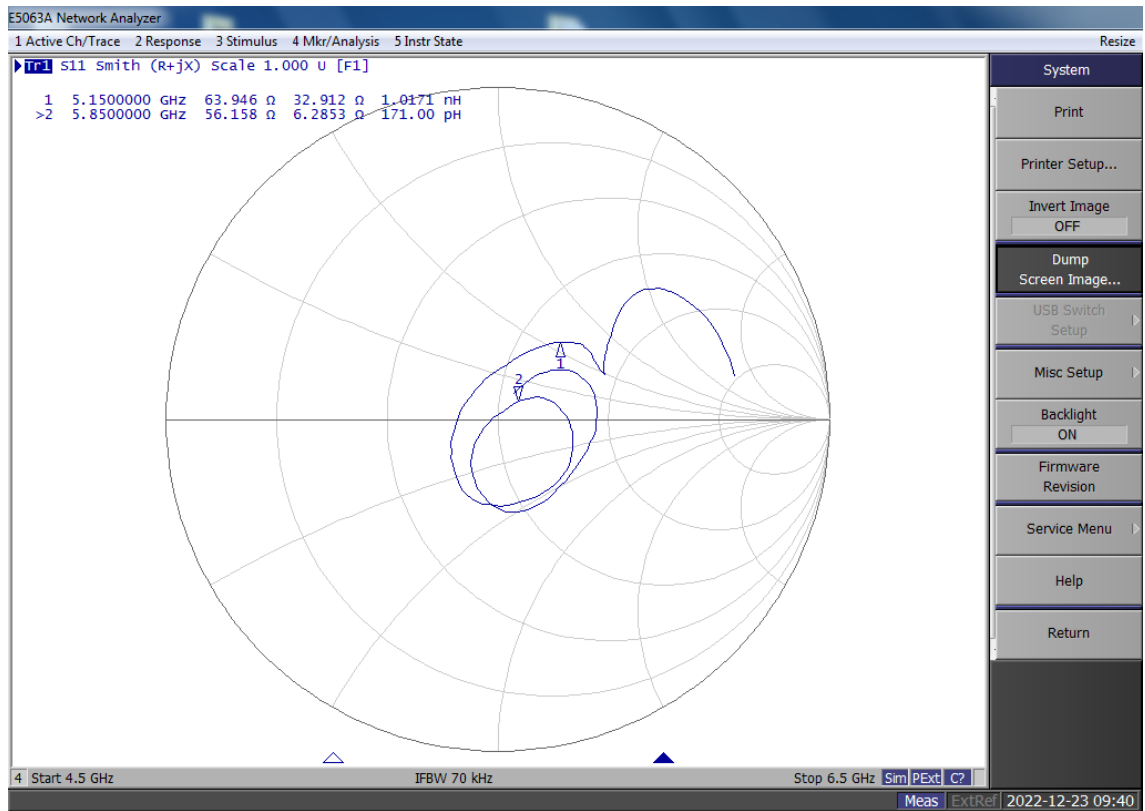
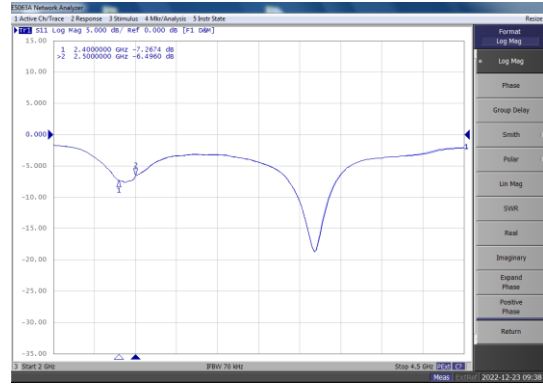
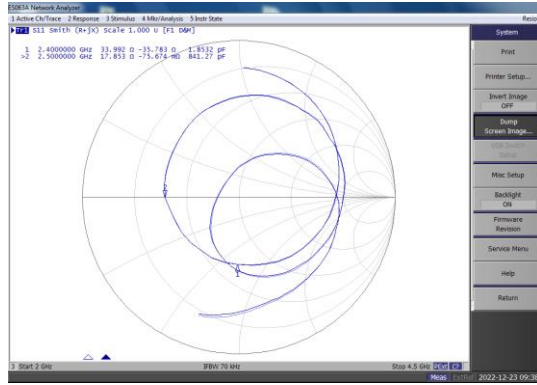


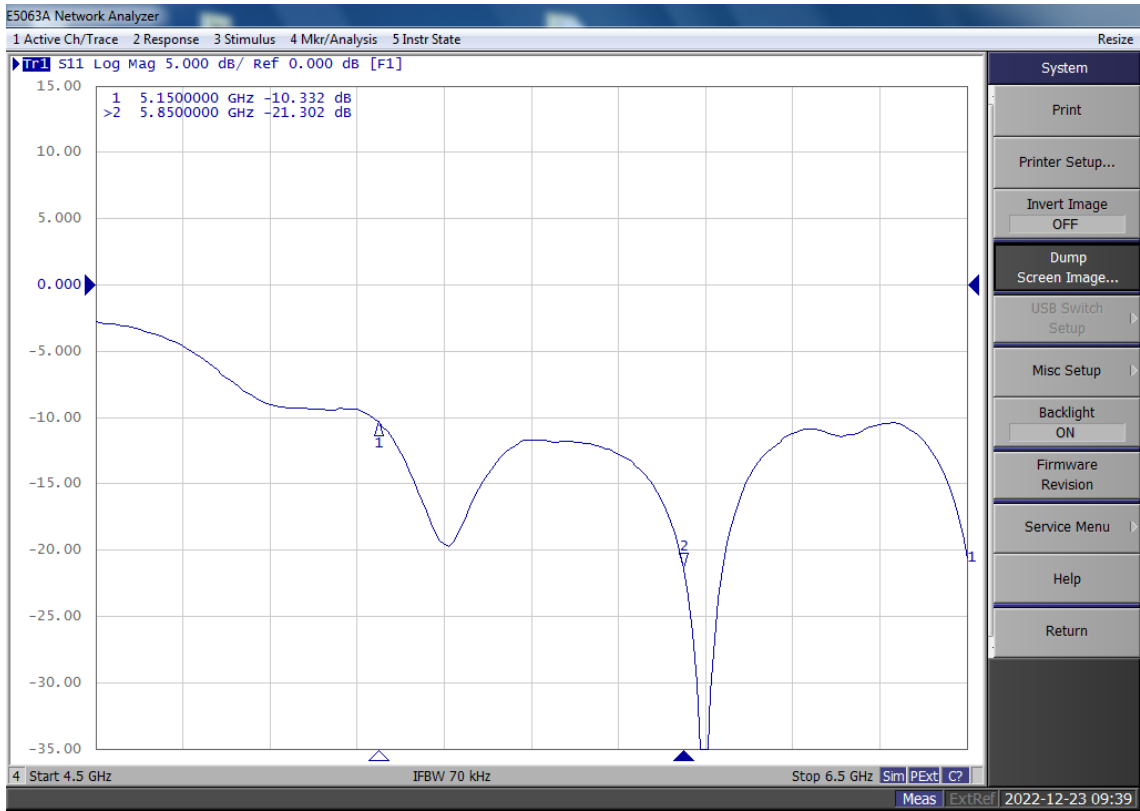
ANT10/11:

Band	ant 10/11	
	Effi.(dBi)	peak gain(dBi)
2.4G	-6.0	-0.8
5G (5.15-5.25GHZ)	-6.2	-0.2
5G (5.25-5.35GHZ)	-6.1	0.3
5G (5.47-5.725GHZ)	-6.4	0.7
5G (5.725-5.85GHZ)	-5.8	1.4

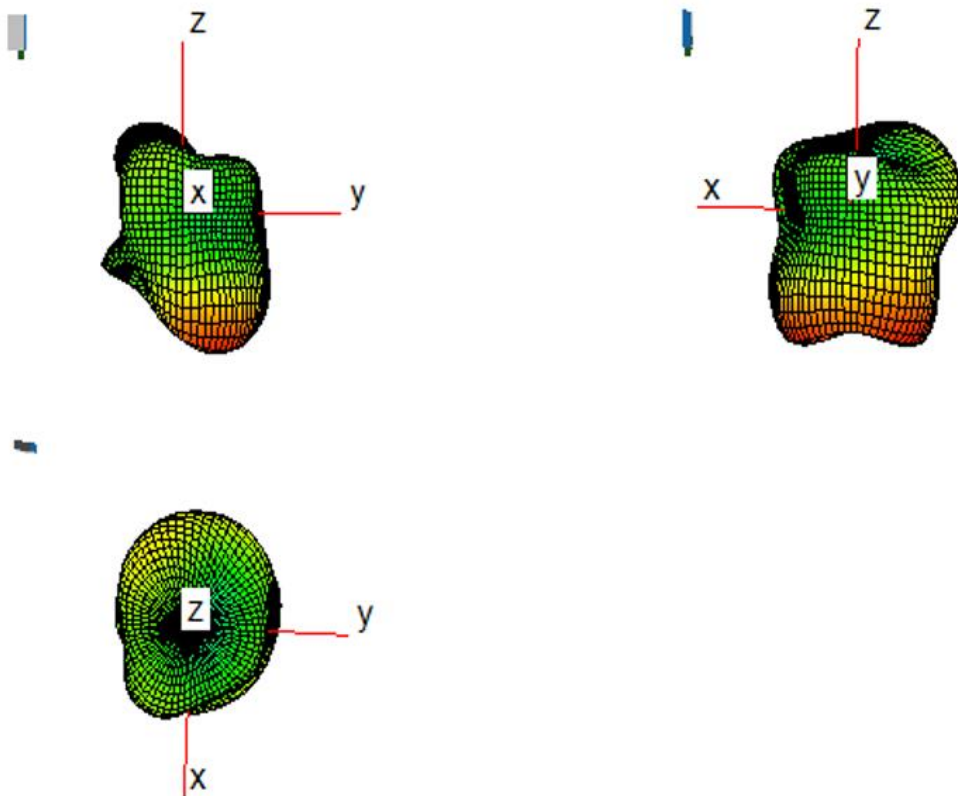
S11

”re • , "E CEfj.

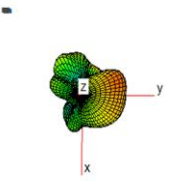
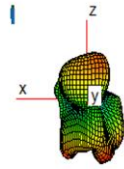
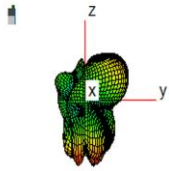




2450:



5300:



Main Test Instruments:

Name	Manufacturer	Model name	Serial Number	Cal., Date	Exp., Date
2G/3G/4G Vector Network Analyzer	KEYSIGHT	E5071C	My467339 20	2021/12/2 0	2022/12/3 0
OTA TEST SYSTEM	GENERAL TEST	RayZone 2800	CT101204 80B5054	2022/01/1 4	2023/01/1 5