



Test Report No.: W7L-240618W002RF12

n41 90M DFT-s-OFDM QPSK(SCS 30 kHz)						
Channel	Frequency (MHz)	Conducted Power (dBm)	Gain (dB)	EIRP (dBm)	EIRP (mW)	Limit (W)
508200	2541	20.85	-2.2	18.65	73.28	2
518598	2592.99	21.01	-2.2	18.81	76.03	2
528996	2644.98	20.43	-2.2	18.23	66.53	2

n41 80M DFT-s-OFDM QPSK(SCS 30 kHz)						
Channel	Frequency (MHz)	Conducted Power (dBm)	Gain (dB)	EIRP (dBm)	EIRP (mW)	Limit (W)
507204	2536.02	20.93	-2.2	18.73	74.64	2
518598	2592.99	21.04	-2.2	18.84	76.56	2
529998	2649.99	20.44	-2.2	18.24	66.68	2

n41 70M DFT-s-OFDM QPSK(SCS 30 kHz)						
Channel	Frequency (MHz)	Conducted Power (dBm)	Gain (dB)	EIRP (dBm)	EIRP (mW)	Limit (W)
506202	2531.01	20.93	-2.2	18.73	74.64	2
518598	2592.99	20.95	-2.2	18.75	74.99	2
531000	2655	20.72	-2.2	18.52	71.12	2

n41 60M DFT-s-OFDM QPSK(SCS 30 kHz)						
Channel	Frequency (MHz)	Conducted Power (dBm)	Gain (dB)	EIRP (dBm)	EIRP (mW)	Limit (W)
505200	2526	20.84	-2.2	18.64	73.11	2
518598	2592.99	20.9	-2.2	18.7	74.13	2
531996	2659.98	20.65	-2.2	18.45	69.98	2

n41 50M DFT-s-OFDM QPSK(SCS 30 kHz)						
Channel	Frequency (MHz)	Conducted Power (dBm)	Gain (dB)	EIRP (dBm)	EIRP (mW)	Limit (W)
504204	2521.02	20.87	-2.2	18.67	73.62	2
518598	2592.99	20.99	-2.2	18.79	75.68	2
532998	2664.99	20.67	-2.2	18.47	70.31	2

n41 40M DFT-s-OFDM QPSK(SCS 30 kHz)						
Channel	Frequency (MHz)	Conducted Power (dBm)	Gain (dB)	EIRP (dBm)	EIRP (mW)	Limit (W)
503202	2516.01	20.95	-2.2	18.75	74.99	2
518598	2592.99	20.83	-2.2	18.63	72.95	2
534000	2670	20.69	-2.2	18.49	70.63	2

n41 30M DFT-s-OFDM QPSK(SCS 30 kHz)						
Channel	Frequency (MHz)	Conducted Power (dBm)	Gain (dB)	EIRP (dBm)	EIRP (mW)	Limit (W)
502200	2511	20.84	-2.2	18.64	73.11	2
518598	2592.99	20.91	-2.2	18.71	74.3	2
534996	2674.98	20.71	-2.2	18.51	70.96	2

n41 20M DFT-s-OFDM QPSK(SCS 30 kHz)						
Channel	Frequency (MHz)	Conducted Power (dBm)	Gain (dB)	EIRP (dBm)	EIRP (mW)	Limit (W)
501204	2506.02	20.86	-2.2	18.66	73.45	2
518598	2592.99	21.02	-2.2	18.82	76.21	2
535998	2679.99	20.51	-2.2	18.31	67.76	2

n41 15M DFT-s-OFDM QPSK(SCS 30 kHz)						
Channel	Frequency (MHz)	Conducted Power (dBm)	Gain (dB)	EIRP (dBm)	EIRP (mW)	Limit (W)
500700	2503.5	20.89	-2.2	18.69	73.96	2
518598	2592.99	20.86	-2.2	18.66	73.45	2
536496	2682.48	20.69	-2.2	18.49	70.63	2

n41 10M DFT-s-OFDM QPSK(SCS 30 kHz)						
Channel	Frequency (MHz)	Conducted Power (dBm)	Gain (dB)	EIRP (dBm)	EIRP (mW)	Limit (W)
500202	2501.01	20.81	-2.2	18.61	72.61	2
518598	2592.99	20.79	-2.2	18.59	72.28	2
537000	2685	20.74	-2.2	18.54	71.45	2

n77 100M DFT-s-OFDM Pi/2 BPSK(SCS 30 kHz)						
Channel	Frequency (MHz)	Conducted Power (dBm)	Gain (dB)	EIRP (dBm)	EIRP (mW)	Limit (W)
633334	3500.01	22.36	-1	21.36	136.77	1

n77 100M DFT-s-OFDM QPSK(SCS 30 kHz)						
Channel	Frequency (MHz)	Conducted Power (dBm)	Gain (dB)	EIRP (dBm)	EIRP (mW)	Limit (W)
633334	3500.01	22.47	-1	21.47	140.28	1

n77 100M DFT-s-OFDM 16QAM(SCS 30 kHz)						
Channel	Frequency (MHz)	Conducted Power (dBm)	Gain (dB)	EIRP (dBm)	EIRP (mW)	Limit (W)
633334	3500.01	21.71	-1	20.71	117.76	1

n77 100M DFT-s-OFDM 64QAM(SCS 30 kHz)						
Channel	Frequency (MHz)	Conducted Power (dBm)	Gain (dB)	EIRP (dBm)	EIRP (mW)	Limit (W)
633334	3500.01	20.35	-1	19.35	86.1	1

n77 100M DFT-s-OFDM 256QAM(SCS 30 kHz)						
Channel	Frequency (MHz)	Conducted Power (dBm)	Gain (dB)	EIRP (dBm)	EIRP (mW)	Limit (W)
633334	3500.01	18.32	-1	17.32	53.95	1

n77 90M DFT-s-OFDM QPSK(SCS 30 kHz)						
Channel	Frequency (MHz)	Conducted Power (dBm)	Gain (dB)	EIRP (dBm)	EIRP (mW)	Limit (W)
633000	3495	22.36	-1	21.36	136.77	1
633334	3500.01	22.46	-1	21.46	139.96	1
633666	3504.99	22.41	-1	21.41	138.36	1

n77 80M DFT-s-OFDM QPSK(SCS 30 kHz)						
Channel	Frequency (MHz)	Conducted Power (dBm)	Gain (dB)	EIRP (dBm)	EIRP (mW)	Limit (W)
632668	3490.02	22.25	-1	21.25	133.35	1
633334	3500.01	22.44	-1	21.44	139.32	1
634000	3510	22.45	-1	21.45	139.64	1

n77 70M DFT-s-OFDM QPSK(SCS 30 kHz)						
Channel	Frequency (MHz)	Conducted Power (dBm)	Gain (dB)	EIRP (dBm)	EIRP (mW)	Limit (W)
632334	3485.01	22.35	-1	21.35	136.46	1
633334	3500.01	22.47	-1	21.47	140.28	1
634332	3514.98	22.39	-1	21.39	137.72	1

n77 60M DFT-s-OFDM QPSK(SCS 30 kHz)						
Channel	Frequency (MHz)	Conducted Power (dBm)	Gain (dB)	EIRP (dBm)	EIRP (mW)	Limit (W)
632000	3480	22.07	-1	21.07	127.94	1
633334	3500.01	22.42	-1	21.42	138.68	1
634666	3519.99	22.35	-1	21.35	136.46	1

n77 50M DFT-s-OFDM QPSK(SCS 30 kHz)						
Channel	Frequency (MHz)	Conducted Power (dBm)	Gain (dB)	EIRP (dBm)	EIRP (mW)	Limit (W)
661668	3475.02	22.39	-1	21.39	137.72	1
633334	3500.01	22.41	-1	21.41	138.36	1
635000	3525	22.34	-1	21.34	136.14	1

n77 40M DFT-s-OFDM QPSK(SCS 30 kHz)						
Channel	Frequency (MHz)	Conducted Power (dBm)	Gain (dB)	EIRP (dBm)	EIRP (mW)	Limit (W)
661334	3470.01	22.4	-1	21.4	138.04	1
633334	3500.01	22.36	-1	21.36	136.77	1
635332	3529.98	22.44	-1	21.44	139.32	1

n77 20M DFT-s-OFDM QPSK(SCS 30 kHz)						
Channel	Frequency (MHz)	Conducted Power (dBm)	Gain (dB)	EIRP (dBm)	EIRP (mW)	Limit (W)
630668	3460.02	22.19	-1	21.19	131.52	1
633334	3500.01	22.39	-1	21.39	137.72	1
636000	3540	22.42	-1	21.42	138.68	1

n77 15M DFT-s-OFDM QPSK(SCS 30 kHz)						
Channel	Frequency (MHz)	Conducted Power (dBm)	Gain (dB)	EIRP (dBm)	EIRP (mW)	Limit (W)
630500	3457.5	22.27	-1	21.27	133.97	1
633334	3500.01	22.4	-1	21.4	138.04	1
636166	3542.49	22.45	-1	21.45	139.64	1

n77 10M DFT-s-OFDM QPSK(SCS 30 kHz)						
Channel	Frequency (MHz)	Conducted Power (dBm)	Gain (dB)	EIRP (dBm)	EIRP (mW)	Limit (W)
630334	3455.01	22.38	-1	21.38	137.4	1
633334	3500.01	22.37	-1	21.37	137.09	1
636332	3544.98	22.42	-1	21.42	138.68	1

n77 100M DFT-s-OFDM Pi/2 BPSK(SCS 30 kHz)						
Channel	Frequency (MHz)	Conducted Power (dBm)	Gain (dB)	EIRP (dBm)	EIRP (mW)	Limit (W)
650000	3750	22.33	-1	21.33	135.83	1
656000	3840	22.45	-1	21.45	139.64	1
662000	3930	22.46	-1	21.46	139.96	1

n77 100M DFT-s-OFDM QPSK(SCS 30 kHz)						
Channel	Frequency (MHz)	Conducted Power (dBm)	Gain (dB)	EIRP (dBm)	EIRP (mW)	Limit (W)
650000	3750	22.42	-1	21.42	138.68	1
656000	3840	22.46	-1	21.46	139.96	1
662000	3930	22.56	-1	21.56	143.22	1

n77 100M DFT-s-OFDM 16QAM(SCS 30 kHz)						
Channel	Frequency (MHz)	Conducted Power (dBm)	Gain (dB)	EIRP (dBm)	EIRP (mW)	Limit (W)
650000	3750	21.55	-1	20.55	113.5	1
656000	3840	21.57	-1	20.57	114.02	1
662000	3930	21.66	-1	20.66	116.41	1

n77 100M DFT-s-OFDM 64QAM(SCS 30 kHz)						
Channel	Frequency (MHz)	Conducted Power (dBm)	Gain (dB)	EIRP (dBm)	EIRP (mW)	Limit (W)
650000	3750	20.13	-1	19.13	81.85	1
656000	3840	20.11	-1	19.11	81.47	1
662000	3930	20.15	-1	19.15	82.22	1

n77 100M DFT-s-OFDM 256QAM(SCS 30 kHz)						
Channel	Frequency (MHz)	Conducted Power (dBm)	Gain (dB)	EIRP (dBm)	EIRP (mW)	Limit (W)
650000	3750	18.24	-1	17.24	52.97	1
656000	3840	18.15	-1	17.15	51.88	1
662000	3930	18.17	-1	17.17	52.12	1

n77 90M DFT-s-OFDM QPSK(SCS 30 kHz)						
Channel	Frequency (MHz)	Conducted Power (dBm)	Gain (dB)	EIRP (dBm)	EIRP (mW)	Limit (W)
649668	3754.02	22.14	0.5	22.64	183.65	1
656000	3840	22.4	0.5	22.9	194.98	1
662332	3934.98	22.4	0.5	22.9	194.98	1

n77 80M DFT-s-OFDM QPSK(SCS 30 kHz)						
Channel	Frequency (MHz)	Conducted Power (dBm)	Gain (dB)	EIRP (dBm)	EIRP (mW)	Limit (W)
649334	3740.01	22.4	-1	21.4	138.04	1
656000	3840	22.44	-1	21.44	139.32	1
662666	3939.99	22.54	-1	21.54	142.56	1



Test Report No.: W7L-240618W002RF12

n77 70M DFT-s-OFDM QPSK(SCS 30 kHz)						
Channel	Frequency (MHz)	Conducted Power (dBm)	Gain (dB)	EIRP (dBm)	EIRP (mW)	Limit (W)
649000	3735	22.27	-1	21.27	133.97	1
656000	3840	22.45	-1	21.45	139.64	1
663000	3945	22.48	-1	21.48	140.6	1

n77 60M DFT-s-OFDM QPSK(SCS 30 kHz)						
Channel	Frequency (MHz)	Conducted Power (dBm)	Gain (dB)	EIRP (dBm)	EIRP (mW)	Limit (W)
648668	3730.02	22.23	-1	21.23	132.74	1
656000	3840	22.43	-1	21.43	139	1
663332	3949.98	22.5	-1	21.5	141.25	1

n77 50M DFT-s-OFDM QPSK(SCS 30 kHz)						
Channel	Frequency (MHz)	Conducted Power (dBm)	Gain (dB)	EIRP (dBm)	EIRP (mW)	Limit (W)
648334	3725.01	22.37	-1	21.37	137.09	1
656000	3840	22.4	-1	21.4	138.04	1
663666	3954.99	22.54	-1	21.54	142.56	1

n77 40M DFT-s-OFDM QPSK(SCS 30 kHz)						
Channel	Frequency (MHz)	Conducted Power (dBm)	Gain (dB)	EIRP (dBm)	EIRP (mW)	Limit (W)
648000	3720	22.14	-1	21.14	130.02	1
656000	3840	22.42	-1	21.42	138.68	1
664000	3960	22.38	-1	21.38	137.4	1

n77 20M DFT-s-OFDM QPSK(SCS 30 kHz)						
Channel	Frequency (MHz)	Conducted Power (dBm)	Gain (dB)	EIRP (dBm)	EIRP (mW)	Limit (W)
647334	3710.01	22.14	-1	21.14	130.02	1
656000	3840	22.43	-1	21.43	139	1
664666	3969.99	22.46	-1	21.46	139.96	1

n77 15M DFT-s-OFDM QPSK(SCS 30 kHz)						
Channel	Frequency (MHz)	Conducted Power (dBm)	Gain (dB)	EIRP (dBm)	EIRP (mW)	Limit (W)
647168	3707.52	22.33	-1	21.33	135.83	1
656000	3840	22.42	-1	21.42	138.68	1
664832	3972.48	22.48	-1	21.48	140.6	1

n77 10M DFT-s-OFDM QPSK(SCS 30 kHz)						
Channel	Frequency (MHz)	Conducted Power (dBm)	Gain (dB)	EIRP (dBm)	EIRP (mW)	Limit (W)
647000	3705	22.2	-1	21.2	131.83	1
656000	3840	22.41	-1	21.41	138.36	1
665000	3975	22.43	-1	21.43	139	1

n78 100M DFT-s-OFDM Pi/2 BPSK(SCS 30 kHz)						
Channel	Frequency (MHz)	Conducted Power (dBm)	Gain (dB)	EIRP (dBm)	EIRP (mW)	Limit (dBm/10Mhz)
633334	3500.01	22.27	-1	21.27	133.97	1

n78 100M DFT-s-OFDM QPSK(SCS 30 kHz)						
Channel	Frequency (MHz)	Conducted Power (dBm)	Gain (dB)	EIRP (dBm)	EIRP (mW)	Limit (dBm/10Mhz)
633334	3500.01	22.41	-1	21.41	138.36	1

n78 100M DFT-s-OFDM 16QAM(SCS 30 kHz)						
Channel	Frequency (MHz)	Conducted Power (dBm)	Gain (dB)	EIRP (dBm)	EIRP (mW)	Limit (dBm/10Mhz)
633334	3500.01	21.27	-1	20.27	106.41	1

n78 100M DFT-s-OFDM 64QAM(SCS 30 kHz)						
Channel	Frequency (MHz)	Conducted Power (dBm)	Gain (dB)	EIRP (dBm)	EIRP (mW)	Limit (dBm/10Mhz)
633334	3500.01	20.66	-1	19.66	92.47	1





Test Report No.: W7L-240618W002RF12

n78 100M DFT-s-OFDM 256QAM(SCS 30 kHz)						
Channel	Frequency (MHz)	Conducted Power (dBm)	Gain (dB)	EIRP (dBm)	EIRP (mW)	Limit (dBm/10Mhz)
633334	3500.01	18.71	-1	17.71	59.02	1

n78 90M DFT-s-OFDM QPSK(SCS 30 kHz)						
Channel	Frequency (MHz)	Conducted Power (dBm)	Gain (dB)	EIRP (dBm)	EIRP (mW)	Limit (dBm/10Mhz)
633000	3495	22.29	-1	21.29	134.59	1
633334	3500.01	22.37	-1	21.37	137.09	1
633666	3504.99	22.23	-1	21.23	132.74	1

n78 80M DFT-s-OFDM QPSK(SCS 30 kHz)						
Channel	Frequency (MHz)	Conducted Power (dBm)	Gain (dB)	EIRP (dBm)	EIRP (mW)	Limit (dBm/10Mhz)
632668	3490.02	22.17	-1	21.17	130.92	1
633334	3500.01	22.21	-1	21.21	132.13	1
634000	3510	22.25	-1	21.25	133.35	1

n78 70M DFT-s-OFDM QPSK(SCS 30 kHz)						
Channel	Frequency (MHz)	Conducted Power (dBm)	Gain (dB)	EIRP (dBm)	EIRP (mW)	Limit (dBm/10Mhz)
632334	3485.01	22.23	-1	21.23	132.74	1
633334	3500.01	22.34	-1	21.34	136.14	1
634332	3514.98	22.29	-1	21.29	134.59	1

n78 60M DFT-s-OFDM QPSK(SCS 30 kHz)						
Channel	Frequency (MHz)	Conducted Power (dBm)	Gain (dB)	EIRP (dBm)	EIRP (mW)	Limit (dBm/10Mhz)
632000	3480	22.29	-1	21.29	134.59	1
633334	3500.01	22.38	-1	21.38	137.4	1
634666	3519.99	22.34	-1	21.34	136.14	1



Test Report No.: W7L-240618W002RF12

n78 50M DFT-s-OFDM QPSK(SCS 30 kHz)						
Channel	Frequency (MHz)	Conducted Power (dBm)	Gain (dB)	EIRP (dBm)	EIRP (mW)	Limit (dBm/10Mhz)
631668	3475.02	22.24	-1	21.24	133.05	1
633334	3500.01	22.37	-1	21.37	137.09	1
635000	3525	22.38	-1	21.38	137.4	1

n78 40M DFT-s-OFDM QPSK(SCS 30 kHz)						
Channel	Frequency (MHz)	Conducted Power (dBm)	Gain (dB)	EIRP (dBm)	EIRP (mW)	Limit (dBm/10Mhz)
631334	3470.01	22.11	-1	21.11	129.12	1
633334	3500.01	22.39	-1	21.39	137.72	1
635332	3529.98	22.19	-1	21.19	131.52	1

n78 20M DFT-s-OFDM QPSK(SCS 30 kHz)						
Channel	Frequency (MHz)	Conducted Power (dBm)	Gain (dB)	EIRP (dBm)	EIRP (mW)	Limit (dBm/10Mhz)
630668	3460.02	22.17	-1	21.17	130.92	1
633334	3500.01	22.33	-1	21.33	135.83	1
636000	3540	22.38	-1	21.38	137.4	1

n78 15M DFT-s-OFDM QPSK(SCS 30 kHz)						
Channel	Frequency (MHz)	Conducted Power (dBm)	Gain (dB)	EIRP (dBm)	EIRP (mW)	Limit (dBm/10Mhz)
630500	3457.5	22.09	-1	21.09	128.53	1
633334	3500.01	22.24	-1	21.24	133.05	1
636166	3542.49	22.35	-1	21.35	136.46	1

n78 10M DFT-s-OFDM QPSK(SCS 30 kHz)						
Channel	Frequency (MHz)	Conducted Power (dBm)	Gain (dB)	EIRP (dBm)	EIRP (mW)	Limit (dBm/10Mhz)
630334	3455.01	22.26	-1	21.26	133.66	1
633334	3500.01	22.38	-1	21.38	137.4	1
636332	3544.98	22.33	-1	21.33	135.83	1



**ANT 5(UP):**

n77 100M DFT-s-OFDM Pi/2 BPSK(SCS 30 kHz)						
Channel	Frequency (MHz)	Conducted Power (dBm)	Gain (dB)	EIRP (dBm)	EIRP (mW)	Limit (W)
633334	3500.01	23.85	1.2	25.05	319.89	1

n77 100M DFT-s-OFDM QPSK(SCS 30 kHz)						
Channel	Frequency (MHz)	Conducted Power (dBm)	Gain (dB)	EIRP (dBm)	EIRP (mW)	Limit (W)
633334	3500.01	23.9	1.2	25.1	323.59	1

n77 100M DFT-s-OFDM 16QAM(SCS 30 kHz)						
Channel	Frequency (MHz)	Conducted Power (dBm)	Gain (dB)	EIRP (dBm)	EIRP (mW)	Limit (W)
633334	3500.01	22.93	1.2	24.13	258.82	1

n77 100M DFT-s-OFDM 64QAM(SCS 30 kHz)						
Channel	Frequency (MHz)	Conducted Power (dBm)	Gain (dB)	EIRP (dBm)	EIRP (mW)	Limit (W)
633334	3500.01	21.46	1.2	22.66	184.5	1

n77 100M DFT-s-OFDM 256QAM(SCS 30 kHz)						
Channel	Frequency (MHz)	Conducted Power (dBm)	Gain (dB)	EIRP (dBm)	EIRP (mW)	Limit (W)
633334	3500.01	19.43	1.2	20.63	115.61	1

n77 90M DFT-s-OFDM QPSK(SCS 30 kHz)						
Channel	Frequency (MHz)	Conducted Power (dBm)	Gain (dB)	EIRP (dBm)	EIRP (mW)	Limit (W)
633000	3495	23.54	1.2	24.74	297.85	1
633334	3500.01	23.58	1.2	24.78	300.61	1
633666	3504.99	23.52	1.2	24.72	296.48	1

n77 80M DFT-s-OFDM QPSK(SCS 30 kHz)						
Channel	Frequency (MHz)	Conducted Power (dBm)	Gain (dB)	EIRP (dBm)	EIRP (mW)	Limit (W)
632668	3490.02	23.69	1.2	24.89	308.32	1
633334	3500.01	23.52	1.2	24.72	296.48	1
634000	3510	23.57	1.2	24.77	299.92	1

n77 70M DFT-s-OFDM QPSK(SCS 30 kHz)						
Channel	Frequency (MHz)	Conducted Power (dBm)	Gain (dB)	EIRP (dBm)	EIRP (mW)	Limit (W)
632334	3485.01	23.54	1.2	24.74	297.85	1
633334	3500.01	23.68	1.2	24.88	307.61	1
634332	3514.98	23.59	1.2	24.79	301.3	1

n77 60M DFT-s-OFDM QPSK(SCS 30 kHz)						
Channel	Frequency (MHz)	Conducted Power (dBm)	Gain (dB)	EIRP (dBm)	EIRP (mW)	Limit (W)
632000	3480	23.59	1.2	24.79	301.3	1
633334	3500.01	23.61	1.2	24.81	302.69	1
634666	3519.99	23.69	1.2	24.89	308.32	1

n77 50M DFT-s-OFDM QPSK(SCS 30 kHz)						
Channel	Frequency (MHz)	Conducted Power (dBm)	Gain (dB)	EIRP (dBm)	EIRP (mW)	Limit (W)
661668	3475.02	23.67	1.2	24.87	306.9	1
633334	3500.01	23.54	1.2	24.74	297.85	1
635000	3525	23.51	1.2	24.71	295.8	1

n77 40M DFT-s-OFDM QPSK(SCS 30 kHz)						
Channel	Frequency (MHz)	Conducted Power (dBm)	Gain (dB)	EIRP (dBm)	EIRP (mW)	Limit (W)
661334	3470.01	23.51	1.2	24.71	295.8	1
633334	3500.01	23.55	1.2	24.75	298.54	1
635332	3529.98	23.67	1.2	24.87	306.9	1

n77 20M DFT-s-OFDM QPSK(SCS 30 kHz)						
Channel	Frequency (MHz)	Conducted Power (dBm)	Gain (dB)	EIRP (dBm)	EIRP (mW)	Limit (W)
630668	3460.02	23.58	1.2	24.78	300.61	1
633334	3500.01	23.79	1.2	24.99	315.5	1
636000	3540	23.66	1.2	24.86	306.2	1

n77 15M DFT-s-OFDM QPSK(SCS 30 kHz)						
Channel	Frequency (MHz)	Conducted Power (dBm)	Gain (dB)	EIRP (dBm)	EIRP (mW)	Limit (W)
630500	3457.5	23.59	1.2	24.79	301.3	1
633334	3500.01	23.58	1.2	24.78	300.61	1
636166	3542.49	23.64	1.2	24.84	304.79	1

n77 10M DFT-s-OFDM QPSK(SCS 30 kHz)						
Channel	Frequency (MHz)	Conducted Power (dBm)	Gain (dB)	EIRP (dBm)	EIRP (mW)	Limit (W)
630334	3455.01	23.56	1.2	24.76	299.23	1
633334	3500.01	23.57	1.2	24.77	299.92	1
636332	3544.98	23.69	1.2	24.89	308.32	1

n77 100M DFT-s-OFDM Pi/2 BPSK(SCS 30 kHz)						
Channel	Frequency (MHz)	Conducted Power (dBm)	Gain (dB)	EIRP (dBm)	EIRP (mW)	Limit (W)
650000	3750	23.54	1.2	24.74	297.85	1
656000	3840	23.78	1.2	24.98	314.77	1
662000	3930	23.88	1.2	25.08	322.11	1

n77 100M DFT-s-OFDM QPSK(SCS 30 kHz)						
Channel	Frequency (MHz)	Conducted Power (dBm)	Gain (dB)	EIRP (dBm)	EIRP (mW)	Limit (W)
650000	3750	23.59	1.2	24.79	301.3	1
656000	3840	23.64	1.2	24.84	304.79	1
662000	3930	23.99	1.2	25.19	330.37	1

n77 100M DFT-s-OFDM 16QAM(SCS 30 kHz)						
Channel	Frequency (MHz)	Conducted Power (dBm)	Gain (dB)	EIRP (dBm)	EIRP (mW)	Limit (W)
650000	3750	22.57	1.2	23.77	238.23	1
656000	3840	22.55	1.2	23.75	237.14	1
662000	3930	22.99	1.2	24.19	262.42	1



Test Report No.: W7L-240618W002RF12

n77 100M DFT-s-OFDM 64QAM(SCS 30 kHz)						
Channel	Frequency (MHz)	Conducted Power (dBm)	Gain (dB)	EIRP (dBm)	EIRP (mW)	Limit (W)
650000	3750	21.16	1.2	22.36	172.19	1
656000	3840	21.27	1.2	22.47	176.6	1
662000	3930	21.46	1.2	22.66	184.5	1

n77 100M DFT-s-OFDM 256QAM(SCS 30 kHz)						
Channel	Frequency (MHz)	Conducted Power (dBm)	Gain (dB)	EIRP (dBm)	EIRP (mW)	Limit (W)
650000	3750	19.27	1.2	20.47	111.43	1
656000	3840	19.38	1.2	20.58	114.29	1
662000	3930	19.52	1.2	20.72	118.03	1

n77 90M DFT-s-OFDM QPSK(SCS 30 kHz)						
Channel	Frequency (MHz)	Conducted Power (dBm)	Gain (dB)	EIRP (dBm)	EIRP (mW)	Limit (W)
649668	3754.02	23.63	0.5	24.13	258.82	1
656000	3840	23.67	0.5	24.17	261.22	1
662332	3934.98	23.83	0.5	24.33	271.02	1

n77 80M DFT-s-OFDM QPSK(SCS 30 kHz)						
Channel	Frequency (MHz)	Conducted Power (dBm)	Gain (dB)	EIRP (dBm)	EIRP (mW)	Limit (W)
649334	3740.01	23.58	1.2	24.78	300.61	1
656000	3840	23.74	1.2	24.94	311.89	1
662666	3939.99	23.91	1.2	25.11	324.34	1

n77 70M DFT-s-OFDM QPSK(SCS 30 kHz)						
Channel	Frequency (MHz)	Conducted Power (dBm)	Gain (dB)	EIRP (dBm)	EIRP (mW)	Limit (W)
649000	3735	23.52	1.2	24.72	296.48	1
656000	3840	23.85	1.2	25.05	319.89	1
663000	3945	23.9	1.2	25.1	323.59	1



Test Report No.: W7L-240618W002RF12

n77 60M DFT-s-OFDM QPSK(SCS 30 kHz)						
Channel	Frequency (MHz)	Conducted Power (dBm)	Gain (dB)	EIRP (dBm)	EIRP (mW)	Limit (W)
648668	3730.02	23.58	1.2	24.78	300.61	1
656000	3840	23.67	1.2	24.87	306.9	1
663332	3949.98	23.93	1.2	25.13	325.84	1

n77 50M DFT-s-OFDM QPSK(SCS 30 kHz)						
Channel	Frequency (MHz)	Conducted Power (dBm)	Gain (dB)	EIRP (dBm)	EIRP (mW)	Limit (W)
648334	3725.01	23.68	1.2	24.88	307.61	1
656000	3840	23.54	1.2	24.74	297.85	1
663666	3954.99	23.83	1.2	25.03	318.42	1

n77 40M DFT-s-OFDM QPSK(SCS 30 kHz)						
Channel	Frequency (MHz)	Conducted Power (dBm)	Gain (dB)	EIRP (dBm)	EIRP (mW)	Limit (W)
648000	3720	23.66	1.2	24.86	306.2	1
656000	3840	23.85	1.2	25.05	319.89	1
664000	3960	23.92	1.2	25.12	325.09	1

n77 20M DFT-s-OFDM QPSK(SCS 30 kHz)						
Channel	Frequency (MHz)	Conducted Power (dBm)	Gain (dB)	EIRP (dBm)	EIRP (mW)	Limit (W)
647334	3710.01	23.58	1.2	24.78	300.61	1
656000	3840	23.67	1.2	24.87	306.9	1
664666	3969.99	23.96	1.2	25.16	328.1	1

n77 15M DFT-s-OFDM QPSK(SCS 30 kHz)						
Channel	Frequency (MHz)	Conducted Power (dBm)	Gain (dB)	EIRP (dBm)	EIRP (mW)	Limit (W)
647168	3707.52	23.52	1.2	24.72	296.48	1
656000	3840	23.75	1.2	24.95	312.61	1
664832	3972.48	23.85	1.2	25.05	319.89	1

n77 10M DFT-s-OFDM QPSK(SCS 30 kHz)						
Channel	Frequency (MHz)	Conducted Power (dBm)	Gain (dB)	EIRP (dBm)	EIRP (mW)	Limit (W)
647000	3705	23.68	1.2	24.88	307.61	1
656000	3840	23.81	1.2	25.01	316.96	1
665000	3975	23.86	1.2	25.06	320.63	1

n78 100M DFT-s-OFDM Pi/2 BPSK(SCS 30 kHz)						
Channel	Frequency (MHz)	Conducted Power (dBm)	Gain (dB)	EIRP (dBm)	EIRP (mW)	Limit (dBm/10Mhz)
633334	3500.01	23.63	1.2	24.83	304.09	1

n78 100M DFT-s-OFDM QPSK(SCS 30 kHz)						
Channel	Frequency (MHz)	Conducted Power (dBm)	Gain (dB)	EIRP (dBm)	EIRP (mW)	Limit (dBm/10Mhz)
633334	3500.01	23.76	1.2	24.96	313.33	1

n78 100M DFT-s-OFDM 16QAM(SCS 30 kHz)						
Channel	Frequency (MHz)	Conducted Power (dBm)	Gain (dB)	EIRP (dBm)	EIRP (mW)	Limit (dBm/10Mhz)
633334	3500.01	22.39	1.2	23.59	228.56	1

n78 100M DFT-s-OFDM 64QAM(SCS 30 kHz)						
Channel	Frequency (MHz)	Conducted Power (dBm)	Gain (dB)	EIRP (dBm)	EIRP (mW)	Limit (dBm/10Mhz)
633334	3500.01	21.09	1.2	22.29	169.43	1

n78 100M DFT-s-OFDM 256QAM(SCS 30 kHz)						
Channel	Frequency (MHz)	Conducted Power (dBm)	Gain (dB)	EIRP (dBm)	EIRP (mW)	Limit (dBm/10Mhz)
633334	3500.01	19.11	1.2	20.31	107.4	1

n78 90M DFT-s-OFDM QPSK(SCS 30 kHz)						
Channel	Frequency (MHz)	Conducted Power (dBm)	Gain (dB)	EIRP (dBm)	EIRP (mW)	Limit (dBm/10Mhz)
633000	3495	23.64	1.2	24.84	304.79	1
633334	3500.01	23.61	1.2	24.81	302.69	1
633666	3504.99	23.59	1.2	24.79	301.3	1



n78 80M DFT-s-OFDM QPSK(SCS 30 kHz)						
Channel	Frequency (MHz)	Conducted Power (dBm)	Gain (dB)	EIRP (dBm)	EIRP (mW)	Limit (dBm/10Mhz)
632668	3490.02	23.58	1.2	24.78	300.61	1
633334	3500.01	23.72	1.2	24.92	310.46	1
634000	3510	23.61	1.2	24.81	302.69	1

n78 70M DFT-s-OFDM QPSK(SCS 30 kHz)						
Channel	Frequency (MHz)	Conducted Power (dBm)	Gain (dB)	EIRP (dBm)	EIRP (mW)	Limit (dBm/10Mhz)
632334	3485.01	23.53	1.2	24.73	297.17	1
633334	3500.01	23.55	1.2	24.75	298.54	1
634332	3514.98	23.58	1.2	24.78	300.61	1

n78 60M DFT-s-OFDM QPSK(SCS 30 kHz)						
Channel	Frequency (MHz)	Conducted Power (dBm)	Gain (dB)	EIRP (dBm)	EIRP (mW)	Limit (dBm/10Mhz)
632000	3480	23.65	1.2	24.85	305.49	1
633334	3500.01	23.67	1.2	24.87	306.9	1
634666	3519.99	23.59	1.2	24.79	301.3	1

n78 50M DFT-s-OFDM QPSK(SCS 30 kHz)						
Channel	Frequency (MHz)	Conducted Power (dBm)	Gain (dB)	EIRP (dBm)	EIRP (mW)	Limit (dBm/10Mhz)
631668	3475.02	23.58	1.2	24.78	300.61	1
633334	3500.01	23.64	1.2	24.84	304.79	1
635000	3525	23.56	1.2	24.76	299.23	1

n78 40M DFT-s-OFDM QPSK(SCS 30 kHz)						
Channel	Frequency (MHz)	Conducted Power (dBm)	Gain (dB)	EIRP (dBm)	EIRP (mW)	Limit (dBm/10Mhz)
631334	3470.01	23.57	1.2	24.77	299.92	1
633334	3500.01	23.73	1.2	24.93	311.17	1
635332	3529.98	23.65	1.2	24.85	305.49	1



Test Report No.: W7L-240618W002RF12

n78 20M DFT-s-OFDM QPSK(SCS 30 kHz)						
Channel	Frequency (MHz)	Conducted Power (dBm)	Gain (dB)	EIRP (dBm)	EIRP (mW)	Limit (dBm/10Mhz)
630668	3460.02	23.61	1.2	24.81	302.69	1
633334	3500.01	23.68	1.2	24.88	307.61	1
636000	3540	23.57	1.2	24.77	299.92	1

n78 15M DFT-s-OFDM QPSK(SCS 30 kHz)						
Channel	Frequency (MHz)	Conducted Power (dBm)	Gain (dB)	EIRP (dBm)	EIRP (mW)	Limit (dBm/10Mhz)
630500	3457.5	23.68	1.2	24.88	307.61	1
633334	3500.01	23.59	1.2	24.79	301.3	1
636166	3542.49	23.53	1.2	24.73	297.17	1

n78 10M DFT-s-OFDM QPSK(SCS 30 kHz)						
Channel	Frequency (MHz)	Conducted Power (dBm)	Gain (dB)	EIRP (dBm)	EIRP (mW)	Limit (dBm/10Mhz)
630334	3455.01	23.65	1.2	24.85	305.49	1
633334	3500.01	23.57	1.2	24.77	299.92	1
636332	3544.98	23.62	1.2	24.82	303.39	1



Test Report No.: W7L-240618W002RF12

HPUE_n77 100M DFT-s-OFDM Pi/2 BPSK(SCS 30 kHz)						
Channel	Frequency (MHz)	Conducted Power (dBm)	Gain (dB)	EIRP (dBm)	EIRP (mW)	Limit (W)
633334	3500.01	26.38	1.2	27.58	572.8	1

HPUE_n77 100M DFT-s-OFDM QPSK(SCS 30 kHz)						
Channel	Frequency (MHz)	Conducted Power (dBm)	Gain (dB)	EIRP (dBm)	EIRP (mW)	Limit (W)
633334	3500.01	26.59	1.2	27.79	601.17	1

HPUE_n77 100M DFT-s-OFDM 16QAM(SCS 30 kHz)						
Channel	Frequency (MHz)	Conducted Power (dBm)	Gain (dB)	EIRP (dBm)	EIRP (mW)	Limit (W)
633334	3500.01	25.35	1.2	26.55	451.86	1

HPUE_n77 100M DFT-s-OFDM 64QAM(SCS 30 kHz)						
Channel	Frequency (MHz)	Conducted Power (dBm)	Gain (dB)	EIRP (dBm)	EIRP (mW)	Limit (W)
633334	3500.01	24.11	1.2	25.31	339.63	1

HPUE_n77 100M DFT-s-OFDM 256QAM(SCS 30 kHz)						
Channel	Frequency (MHz)	Conducted Power (dBm)	Gain (dB)	EIRP (dBm)	EIRP (mW)	Limit (W)
633334	3500.01	21.84	1.2	23.04	201.37	1

HPUE_n77 90M DFT-s-OFDM QPSK(SCS 30 kHz)						
Channel	Frequency (MHz)	Conducted Power (dBm)	Gain (dB)	EIRP (dBm)	EIRP (mW)	Limit (W)
633000	3495	26.38	1.2	27.58	572.8	1
633334	3500.01	26.53	1.2	27.73	592.93	1
633666	3504.99	26.5	1.2	27.7	588.84	1



Test Report No.: W7L-240618W002RF12

HPUE_n77 80M DFT-s-OFDM QPSK(SCS 30 kHz)						
Channel	Frequency (MHz)	Conducted Power (dBm)	Gain (dB)	EIRP (dBm)	EIRP (mW)	Limit (W)
632668	3490.02	26.41	1.2	27.61	576.77	1
633334	3500.01	26.55	1.2	27.75	595.66	1
634000	3510	26.49	1.2	27.69	587.49	1

HPUE_n77 70M DFT-s-OFDM QPSK(SCS 30 kHz)						
Channel	Frequency (MHz)	Conducted Power (dBm)	Gain (dB)	EIRP (dBm)	EIRP (mW)	Limit (W)
632334	3485.01	26.35	1.2	27.55	568.85	1
633334	3500.01	26.48	1.2	27.68	586.14	1
634332	3514.98	26.44	1.2	27.64	580.76	1

HPUE_n77 60M DFT-s-OFDM QPSK(SCS 30 kHz)						
Channel	Frequency (MHz)	Conducted Power (dBm)	Gain (dB)	EIRP (dBm)	EIRP (mW)	Limit (W)
632000	3480	26.37	1.2	27.57	571.48	1
633334	3500.01	26.54	1.2	27.74	594.29	1
634666	3519.99	26.52	1.2	27.72	591.56	1

HPUE_n77 50M DFT-s-OFDM QPSK(SCS 30 kHz)						
Channel	Frequency (MHz)	Conducted Power (dBm)	Gain (dB)	EIRP (dBm)	EIRP (mW)	Limit (W)
661668	3475.02	26.44	1.2	27.64	580.76	1
633334	3500.01	26.52	1.2	27.72	591.56	1
635000	3525	26.49	1.2	27.69	587.49	1

HPUE_n77 40M DFT-s-OFDM QPSK(SCS 30 kHz)						
Channel	Frequency (MHz)	Conducted Power (dBm)	Gain (dB)	EIRP (dBm)	EIRP (mW)	Limit (W)
661334	3470.01	26.28	1.2	27.48	559.76	1
633334	3500.01	26.38	1.2	27.58	572.8	1
635332	3529.98	26.42	1.2	27.62	578.1	1



Test Report No.: W7L-240618W002RF12

HPUE_n77 20M DFT-s-OFDM QPSK(SCS 30 kHz)						
Channel	Frequency (MHz)	Conducted Power (dBm)	Gain (dB)	EIRP (dBm)	EIRP (mW)	Limit (W)
630668	3460.02	26.39	1.2	27.59	574.12	1
633334	3500.01	26.53	1.2	27.73	592.93	1
636000	3540	26.51	1.2	27.71	590.2	1

HPUE_n77 15M DFT-s-OFDM QPSK(SCS 30 kHz)						
Channel	Frequency (MHz)	Conducted Power (dBm)	Gain (dB)	EIRP (dBm)	EIRP (mW)	Limit (W)
630500	3457.5	26.4	1.2	27.6	575.44	1
633334	3500.01	26.47	1.2	27.67	584.79	1
636166	3542.49	26.49	1.2	27.69	587.49	1

HPUE_n77 10M DFT-s-OFDM QPSK(SCS 30 kHz)						
Channel	Frequency (MHz)	Conducted Power (dBm)	Gain (dB)	EIRP (dBm)	EIRP (mW)	Limit (W)
630334	3455.01	26.46	1.2	27.66	583.45	1
633334	3500.01	26.41	1.2	27.61	576.77	1
636332	3544.98	26.38	1.2	27.58	572.8	1

HPUE_n77 100M DFT-s-OFDM Pi/2 BPSK(SCS 30 kHz)						
Channel	Frequency (MHz)	Conducted Power (dBm)	Gain (dB)	EIRP (dBm)	EIRP (mW)	Limit (W)
650000	3750	26.17	1.2	27.37	545.76	1
656000	3840	26.28	1.2	27.48	559.76	1
662000	3930	26.54	1.2	27.74	594.29	1

HPUE_n77 100M DFT-s-OFDM QPSK(SCS 30 kHz)						
Channel	Frequency (MHz)	Conducted Power (dBm)	Gain (dB)	EIRP (dBm)	EIRP (mW)	Limit (W)
650000	3750	26.32	1.2	27.52	564.94	1
656000	3840	26.38	1.2	27.58	572.8	1
662000	3930	26.66	1.2	27.86	610.94	1



Test Report No.: W7L-240618W002RF12

HPUE_n77 100M DFT-s-OFDM 16QAM(SCS 30 kHz)						
Channel	Frequency (MHz)	Conducted Power (dBm)	Gain (dB)	EIRP (dBm)	EIRP (mW)	Limit (W)
650000	3750	25.16	1.2	26.36	432.51	1
656000	3840	25.29	1.2	26.49	445.66	1
662000	3930	25.7	1.2	26.9	489.78	1

HPUE_n77 100M DFT-s-OFDM 64QAM(SCS 30 kHz)						
Channel	Frequency (MHz)	Conducted Power (dBm)	Gain (dB)	EIRP (dBm)	EIRP (mW)	Limit (W)
650000	3750	23.74	1.2	24.94	311.89	1
656000	3840	23.97	1.2	25.17	328.85	1
662000	3930	24.16	1.2	25.36	343.56	1

HPUE_n77 100M DFT-s-OFDM 256QAM(SCS 30 kHz)						
Channel	Frequency (MHz)	Conducted Power (dBm)	Gain (dB)	EIRP (dBm)	EIRP (mW)	Limit (W)
650000	3750	21.73	1.2	22.93	196.34	1
656000	3840	21.79	1.2	22.99	199.07	1
662000	3930	22.18	1.2	23.38	217.77	1

HPUE_n77 90M DFT-s-OFDM QPSK(SCS 30 kHz)						
Channel	Frequency (MHz)	Conducted Power (dBm)	Gain (dB)	EIRP (dBm)	EIRP (mW)	Limit (W)
649668	3754.02	26.16	0.5	26.66	463.45	1
656000	3840	26.17	0.5	26.67	464.52	1
662332	3934.98	26.49	0.5	26.99	500.03	1

HPUE_n77 80M DFT-s-OFDM QPSK(SCS 30 kHz)						
Channel	Frequency (MHz)	Conducted Power (dBm)	Gain (dB)	EIRP (dBm)	EIRP (mW)	Limit (W)
649334	3740.01	26.08	1.2	27.28	534.56	1
656000	3840	26.35	1.2	27.55	568.85	1
662666	3939.99	26.58	1.2	27.78	599.79	1



Test Report No.: W7L-240618W002RF12

HPUE_n77 70M DFT-s-OFDM QPSK(SCS 30 kHz)						
Channel	Frequency (MHz)	Conducted Power (dBm)	Gain (dB)	EIRP (dBm)	EIRP (mW)	Limit (W)
649000	3735	25.95	1.2	27.15	518.8	1
656000	3840	26.23	1.2	27.43	553.35	1
663000	3945	26.57	1.2	27.77	598.41	1

HPUE_n77 60M DFT-s-OFDM QPSK(SCS 30 kHz)						
Channel	Frequency (MHz)	Conducted Power (dBm)	Gain (dB)	EIRP (dBm)	EIRP (mW)	Limit (W)
648668	3730.02	26.3	1.2	27.5	562.34	1
656000	3840	26.1	1.2	27.3	537.03	1
663332	3949.98	26.43	1.2	27.63	579.43	1

HPUE_n77 50M DFT-s-OFDM QPSK(SCS 30 kHz)						
Channel	Frequency (MHz)	Conducted Power (dBm)	Gain (dB)	EIRP (dBm)	EIRP (mW)	Limit (W)
648334	3725.01	26.29	1.2	27.49	561.05	1
656000	3840	26.32	1.2	27.52	564.94	1
663666	3954.99	26.59	1.2	27.79	601.17	1

HPUE_n77 40M DFT-s-OFDM QPSK(SCS 30 kHz)						
Channel	Frequency (MHz)	Conducted Power (dBm)	Gain (dB)	EIRP (dBm)	EIRP (mW)	Limit (W)
648000	3720	26.3	1.2	27.5	562.34	1
656000	3840	26.16	1.2	27.36	544.5	1
664000	3960	26.54	1.2	27.74	594.29	1

HPUE_n77 20M DFT-s-OFDM QPSK(SCS 30 kHz)						
Channel	Frequency (MHz)	Conducted Power (dBm)	Gain (dB)	EIRP (dBm)	EIRP (mW)	Limit (W)
647334	3710.01	26.28	1.2	27.48	559.76	1
656000	3840	26.36	1.2	27.56	570.16	1
664666	3969.99	26.51	1.2	27.71	590.2	1



Test Report No.: W7L-240618W002RF12

HPUE_n77 15M DFT-s-OFDM QPSK(SCS 30 kHz)						
Channel	Frequency (MHz)	Conducted Power (dBm)	Gain (dB)	EIRP (dBm)	EIRP (mW)	Limit (W)
647168	3707.52	26.22	1.2	27.42	552.08	1
656000	3840	26.13	1.2	27.33	540.75	1
664832	3972.48	26.51	1.2	27.71	590.2	1

HPUE_n77 10M DFT-s-OFDM QPSK(SCS 30 kHz)						
Channel	Frequency (MHz)	Conducted Power (dBm)	Gain (dB)	EIRP (dBm)	EIRP (mW)	Limit (W)
647000	3705	26.18	1.2	27.38	547.02	1
656000	3840	26.24	1.2	27.44	554.63	1
665000	3975	26.43	1.2	27.63	579.43	1

HPUE_n78 100M DFT-s-OFDM Pi/2 BPSK(SCS 30 kHz)						
Channel	Frequency (MHz)	Conducted Power (dBm)	Gain (dB)	EIRP (dBm)	EIRP (mW)	Limit (dBm/10Mhz)
633334	3500.01	26.17	1.2	27.37	545.76	1

HPUE_n78 100M DFT-s-OFDM QPSK(SCS 30 kHz)						
Channel	Frequency (MHz)	Conducted Power (dBm)	Gain (dB)	EIRP (dBm)	EIRP (mW)	Limit (dBm/10Mhz)
633334	3500.01	26.29	1.2	27.49	561.05	1

HPUE_n78 100M DFT-s-OFDM 16QAM(SCS 30 kHz)						
Channel	Frequency (MHz)	Conducted Power (dBm)	Gain (dB)	EIRP (dBm)	EIRP (mW)	Limit (dBm/10Mhz)
633334	3500.01	25.1	1.2	26.3	426.58	1

HPUE_n78 100M DFT-s-OFDM 64QAM(SCS 30 kHz)						
Channel	Frequency (MHz)	Conducted Power (dBm)	Gain (dB)	EIRP (dBm)	EIRP (mW)	Limit (dBm/10Mhz)
633334	3500.01	23.73	1.2	24.93	311.17	1





Test Report No.: W7L-240618W002RF12

HPUE_n78 100M DFT-s-OFDM 256QAM(SCS 30 kHz)						
Channel	Frequency (MHz)	Conducted Power (dBm)	Gain (dB)	EIRP (dBm)	EIRP (mW)	Limit (dBm/10Mhz)
633334	3500.01	21.71	1.2	22.91	195.43	1

HPUE_n78 90M DFT-s-OFDM QPSK(SCS 30 kHz)						
Channel	Frequency (MHz)	Conducted Power (dBm)	Gain (dB)	EIRP (dBm)	EIRP (mW)	Limit (dBm/10Mhz)
633000	3495	26.19	1.2	27.39	548.28	1
633334	3500.01	26.24	1.2	27.44	554.63	1
633666	3504.99	26.12	1.2	27.32	539.51	1

HPUE_n78 80M DFT-s-OFDM QPSK(SCS 30 kHz)						
Channel	Frequency (MHz)	Conducted Power (dBm)	Gain (dB)	EIRP (dBm)	EIRP (mW)	Limit (dBm/10Mhz)
632668	3490.02	26.07	1.2	27.27	533.33	1
633334	3500.01	26.26	1.2	27.46	557.19	1
634000	3510	26.14	1.2	27.34	542	1

HPUE_n78 70M DFT-s-OFDM QPSK(SCS 30 kHz)						
Channel	Frequency (MHz)	Conducted Power (dBm)	Gain (dB)	EIRP (dBm)	EIRP (mW)	Limit (dBm/10Mhz)
632334	3485.01	26.13	1.2	27.33	540.75	1
633334	3500.01	26.25	1.2	27.45	555.9	1
634332	3514.98	26.06	1.2	27.26	532.11	1

HPUE_n78 60M DFT-s-OFDM QPSK(SCS 30 kHz)						
Channel	Frequency (MHz)	Conducted Power (dBm)	Gain (dB)	EIRP (dBm)	EIRP (mW)	Limit (dBm/10Mhz)
632000	3480	26.16	1.2	27.36	544.5	1
633334	3500.01	26.22	1.2	27.42	552.08	1
634666	3519.99	26.18	1.2	27.38	547.02	1



Test Report No.: W7L-240618W002RF12

HPUE_n78 50M DFT-s-OFDM QPSK(SCS 30 kHz)						
Channel	Frequency (MHz)	Conducted Power (dBm)	Gain (dB)	EIRP (dBm)	EIRP (mW)	Limit (dBm/10Mhz)
631668	3475.02	26.11	1.2	27.31	538.27	1
633334	3500.01	26.23	1.2	27.43	553.35	1
635000	3525	26.07	1.2	27.27	533.33	1

HPUE_n78 40M DFT-s-OFDM QPSK(SCS 30 kHz)						
Channel	Frequency (MHz)	Conducted Power (dBm)	Gain (dB)	EIRP (dBm)	EIRP (mW)	Limit (dBm/10Mhz)
631334	3470.01	26.07	1.2	27.27	533.33	1
633334	3500.01	26.17	1.2	27.37	545.76	1
635332	3529.98	26.13	1.2	27.33	540.75	1

HPUE_n78 20M DFT-s-OFDM QPSK(SCS 30 kHz)						
Channel	Frequency (MHz)	Conducted Power (dBm)	Gain (dB)	EIRP (dBm)	EIRP (mW)	Limit (dBm/10Mhz)
630668	3460.02	26.19	1.2	27.39	548.28	1
633334	3500.01	26.19	1.2	27.39	548.28	1
636000	3540	26.08	1.2	27.28	534.56	1

HPUE_n78 15M DFT-s-OFDM QPSK(SCS 30 kHz)						
Channel	Frequency (MHz)	Conducted Power (dBm)	Gain (dB)	EIRP (dBm)	EIRP (mW)	Limit (dBm/10Mhz)
630500	3457.5	26.2	1.2	27.4	549.54	1
633334	3500.01	26.25	1.2	27.45	555.9	1
636166	3542.49	26.22	1.2	27.42	552.08	1

HPUE_n78 10M DFT-s-OFDM QPSK(SCS 30 kHz)						
Channel	Frequency (MHz)	Conducted Power (dBm)	Gain (dB)	EIRP (dBm)	EIRP (mW)	Limit (dBm/10Mhz)
630334	3455.01	26.15	1.2	27.35	543.25	1
633334	3500.01	26.24	1.2	27.44	554.63	1
636332	3544.98	26.16	1.2	27.36	544.5	1



Test Report No.: W7L-240618W002RF12

**ANT 7(UP):**

n41 100M DFT-s-OFDM Pi/2 BPSK(SCS 30 kHz)						
Channel	Frequency (MHz)	Conducted Power (dBm)	Gain (dB)	EIRP (dBm)	EIRP (mW)	Limit (W)
509202	2546.01	20.21	-0.1	20.11	102.57	2
518598	2592.99	20.28	-0.1	20.18	104.23	2
528000	2640	20.13	-0.1	20.03	100.69	2

n41 100M DFT-s-OFDM QPSK(SCS 30 kHz)						
Channel	Frequency (MHz)	Conducted Power (dBm)	Gain (dB)	EIRP (dBm)	EIRP (mW)	Limit (W)
509202	2546.01	20.26	-0.1	20.16	103.75	2
518598	2592.99	20.3	-0.1	20.2	104.71	2
528000	2640	20.08	-0.1	19.98	99.54	2

n41 100M DFT-s-OFDM 16QAM(SCS 30 kHz)						
Channel	Frequency (MHz)	Conducted Power (dBm)	Gain (dB)	EIRP (dBm)	EIRP (mW)	Limit (W)
509202	2546.01	19.32	-0.1	19.22	83.56	2
518598	2592.99	19.25	-0.1	19.15	82.22	2
528000	2640	19.16	-0.1	19.06	80.54	2

n41 100M DFT-s-OFDM 64QAM(SCS 30 kHz)						
Channel	Frequency (MHz)	Conducted Power (dBm)	Gain (dB)	EIRP (dBm)	EIRP (mW)	Limit (W)
509202	2546.01	17.83	-0.1	17.73	59.29	2
518598	2592.99	17.69	-0.1	17.59	57.41	2
528000	2640	17.61	-0.1	17.51	56.36	2

n41 100M DFT-s-OFDM 256QAM(SCS 30 kHz)						
Channel	Frequency (MHz)	Conducted Power (dBm)	Gain (dB)	EIRP (dBm)	EIRP (mW)	Limit (W)
509202	2546.01	15.91	-0.1	15.81	38.11	2
518598	2592.99	15.7	-0.1	15.6	36.31	2
528000	2640	15.8	-0.1	15.7	37.15	2



Test Report No.: W7L-240618W002RF12

n41 90M DFT-s-OFDM QPSK(SCS 30 kHz)						
Channel	Frequency (MHz)	Conducted Power (dBm)	Gain (dB)	EIRP (dBm)	EIRP (mW)	Limit (W)
508200	2541	20.18	-0.1	20.08	101.86	2
518598	2592.99	20.13	-0.1	20.03	100.69	2
528996	2644.98	20.11	-0.1	20.01	100.23	2

n41 80M DFT-s-OFDM QPSK(SCS 30 kHz)						
Channel	Frequency (MHz)	Conducted Power (dBm)	Gain (dB)	EIRP (dBm)	EIRP (mW)	Limit (W)
507204	2536.02	20.17	-0.1	20.07	101.62	2
518598	2592.99	20.08	-0.1	19.98	99.54	2
529998	2649.99	20.13	-0.1	20.03	100.69	2

n41 70M DFT-s-OFDM QPSK(SCS 30 kHz)						
Channel	Frequency (MHz)	Conducted Power (dBm)	Gain (dB)	EIRP (dBm)	EIRP (mW)	Limit (W)
506202	2531.01	20.22	-0.1	20.12	102.8	2
518598	2592.99	20.29	-0.1	20.19	104.47	2
531000	2655	20.05	-0.1	19.95	98.86	2

n41 60M DFT-s-OFDM QPSK(SCS 30 kHz)						
Channel	Frequency (MHz)	Conducted Power (dBm)	Gain (dB)	EIRP (dBm)	EIRP (mW)	Limit (W)
505200	2526	20.06	-0.1	19.96	99.08	2
518598	2592.99	20.21	-0.1	20.11	102.57	2
531996	2659.98	20.17	-0.1	20.07	101.62	2

n41 50M DFT-s-OFDM QPSK(SCS 30 kHz)						
Channel	Frequency (MHz)	Conducted Power (dBm)	Gain (dB)	EIRP (dBm)	EIRP (mW)	Limit (W)
504204	2521.02	20.04	-0.1	19.94	98.63	2
518598	2592.99	20.16	-0.1	20.06	101.39	2
532998	2664.99	20.08	-0.1	19.98	99.54	2

n41 40M DFT-s-OFDM QPSK(SCS 30 kHz)						
Channel	Frequency (MHz)	Conducted Power (dBm)	Gain (dB)	EIRP (dBm)	EIRP (mW)	Limit (W)
503202	2516.01	20.17	-0.1	20.07	101.62	2
518598	2592.99	20.2	-0.1	20.1	102.33	2
534000	2670	20.15	-0.1	20.05	101.16	2

n41 30M DFT-s-OFDM QPSK(SCS 30 kHz)						
Channel	Frequency (MHz)	Conducted Power (dBm)	Gain (dB)	EIRP (dBm)	EIRP (mW)	Limit (W)
502200	2511	20.14	-0.1	20.04	100.93	2
518598	2592.99	20.25	-0.1	20.15	103.51	2
534996	2674.98	20.02	-0.1	19.92	98.17	2

n41 20M DFT-s-OFDM QPSK(SCS 30 kHz)						
Channel	Frequency (MHz)	Conducted Power (dBm)	Gain (dB)	EIRP (dBm)	EIRP (mW)	Limit (W)
501204	2506.02	20.23	-0.1	20.13	103.04	2
518598	2592.99	20.04	-0.1	19.94	98.63	2
535998	2679.99	20.06	-0.1	19.96	99.08	2

n41 15M DFT-s-OFDM QPSK(SCS 30 kHz)						
Channel	Frequency (MHz)	Conducted Power (dBm)	Gain (dB)	EIRP (dBm)	EIRP (mW)	Limit (W)
500700	2503.5	20.14	-0.1	20.04	100.93	2
518598	2592.99	20.22	-0.1	20.12	102.8	2
536496	2682.48	20.04	-0.1	19.94	98.63	2

n41 10M DFT-s-OFDM QPSK(SCS 30 kHz)						
Channel	Frequency (MHz)	Conducted Power (dBm)	Gain (dB)	EIRP (dBm)	EIRP (mW)	Limit (W)
500202	2501.01	20.18	-0.1	20.08	101.86	2
518598	2592.99	20.17	-0.1	20.07	101.62	2
537000	2685	20.12	-0.1	20.02	100.46	2



BUREAU  
VERITAS

Test Report No.: W7L-240618W002RF12

n77 100M DFT-s-OFDM Pi/2 BPSK(SCS 30 kHz)						
Channel	Frequency (MHz)	Conducted Power (dBm)	Gain (dB)	EIRP (dBm)	EIRP (mW)	Limit (W)
633334	3500.01	24.59	0.6	25.19	330.37	1

n77 100M DFT-s-OFDM QPSK(SCS 30 kHz)						
Channel	Frequency (MHz)	Conducted Power (dBm)	Gain (dB)	EIRP (dBm)	EIRP (mW)	Limit (W)
633334	3500.01	24.71	0.6	25.31	339.63	1

n77 100M DFT-s-OFDM 16QAM(SCS 30 kHz)						
Channel	Frequency (MHz)	Conducted Power (dBm)	Gain (dB)	EIRP (dBm)	EIRP (mW)	Limit (W)
633334	3500.01	23.57	0.6	24.17	261.22	1

n77 100M DFT-s-OFDM 64QAM(SCS 30 kHz)						
Channel	Frequency (MHz)	Conducted Power (dBm)	Gain (dB)	EIRP (dBm)	EIRP (mW)	Limit (W)
633334	3500.01	22.24	0.6	22.84	192.31	1

n77 100M DFT-s-OFDM 256QAM(SCS 30 kHz)						
Channel	Frequency (MHz)	Conducted Power (dBm)	Gain (dB)	EIRP (dBm)	EIRP (mW)	Limit (W)
633334	3500.01	20.23	0.6	20.83	121.06	1

n77 90M DFT-s-OFDM QPSK(SCS 30 kHz)						
Channel	Frequency (MHz)	Conducted Power (dBm)	Gain (dB)	EIRP (dBm)	EIRP (mW)	Limit (W)
633000	3495	24.65	0.6	25.25	334.97	1
633334	3500.01	24.49	0.6	25.09	322.85	1
633666	3504.99	24.19	0.6	24.79	301.3	1



Test Report No.: W7L-240618W002RF12

n77 80M DFT-s-OFDM QPSK(SCS 30 kHz)						
Channel	Frequency (MHz)	Conducted Power (dBm)	Gain (dB)	EIRP (dBm)	EIRP (mW)	Limit (W)
632668	3490.02	24.58	0.6	25.18	329.61	1
633334	3500.01	24.55	0.6	25.15	327.34	1
634000	3510	24.56	0.6	25.16	328.1	1

n77 70M DFT-s-OFDM QPSK(SCS 30 kHz)						
Channel	Frequency (MHz)	Conducted Power (dBm)	Gain (dB)	EIRP (dBm)	EIRP (mW)	Limit (W)
632334	3485.01	24.55	0.6	25.15	327.34	1
633334	3500.01	24.68	0.6	25.28	337.29	1
634332	3514.98	24.64	0.6	25.24	334.2	1

n77 60M DFT-s-OFDM QPSK(SCS 30 kHz)						
Channel	Frequency (MHz)	Conducted Power (dBm)	Gain (dB)	EIRP (dBm)	EIRP (mW)	Limit (W)
632000	3480	24.46	0.6	25.06	320.63	1
633334	3500.01	24.66	0.6	25.26	335.74	1
634666	3519.99	24.65	0.6	25.25	334.97	1

n77 50M DFT-s-OFDM QPSK(SCS 30 kHz)						
Channel	Frequency (MHz)	Conducted Power (dBm)	Gain (dB)	EIRP (dBm)	EIRP (mW)	Limit (W)
661668	3475.02	24.61	0.6	25.21	331.89	1
633334	3500.01	24.44	0.6	25.04	319.15	1
635000	3525	24.67	0.6	25.27	336.51	1

n77 40M DFT-s-OFDM QPSK(SCS 30 kHz)						
Channel	Frequency (MHz)	Conducted Power (dBm)	Gain (dB)	EIRP (dBm)	EIRP (mW)	Limit (W)
661334	3470.01	24.63	0.6	25.23	333.43	1
633334	3500.01	24.55	0.6	25.15	327.34	1
635332	3529.98	24.61	0.6	25.21	331.89	1



Test Report No.: W7L-240618W002RF12

n77 20M DFT-s-OFDM QPSK(SCS 30 kHz)						
Channel	Frequency (MHz)	Conducted Power (dBm)	Gain (dB)	EIRP (dBm)	EIRP (mW)	Limit (W)
630668	3460.02	24.59	0.6	25.19	330.37	1
633334	3500.01	24.68	0.6	25.28	337.29	1
636000	3540	24.59	0.6	25.19	330.37	1

n77 15M DFT-s-OFDM QPSK(SCS 30 kHz)						
Channel	Frequency (MHz)	Conducted Power (dBm)	Gain (dB)	EIRP (dBm)	EIRP (mW)	Limit (W)
630500	3457.5	24.64	0.6	25.24	334.2	1
633334	3500.01	24.51	0.6	25.11	324.34	1
636166	3542.49	24.65	0.6	25.25	334.97	1

n77 10M DFT-s-OFDM QPSK(SCS 30 kHz)						
Channel	Frequency (MHz)	Conducted Power (dBm)	Gain (dB)	EIRP (dBm)	EIRP (mW)	Limit (W)
630334	3455.01	24.6	0.6	25.2	331.13	1
633334	3500.01	24.55	0.6	25.15	327.34	1
636332	3544.98	24.69	0.6	25.29	338.06	1

n77 100M DFT-s-OFDM Pi/2 BPSK(SCS 30 kHz)						
Channel	Frequency (MHz)	Conducted Power (dBm)	Gain (dB)	EIRP (dBm)	EIRP (mW)	Limit (W)
650000	3750	24.97	0.6	25.57	360.58	1
656000	3840	24.89	0.6	25.49	354	1
662000	3930	24.98	0.6	25.58	361.41	1

n77 100M DFT-s-OFDM QPSK(SCS 30 kHz)						
Channel	Frequency (MHz)	Conducted Power (dBm)	Gain (dB)	EIRP (dBm)	EIRP (mW)	Limit (W)
650000	3750	25.04	0.6	25.64	366.44	1
656000	3840	24.96	0.6	25.56	359.75	1
662000	3930	25.11	0.6	25.71	372.39	1





Test Report No.: W7L-240618W002RF12

n77 100M DFT-s-OFDM 16QAM(SCS 30 kHz)						
Channel	Frequency (MHz)	Conducted Power (dBm)	Gain (dB)	EIRP (dBm)	EIRP (mW)	Limit (W)
650000	3750	24.1	0.6	24.7	295.12	1
656000	3840	23.96	0.6	24.56	285.76	1
662000	3930	24.36	0.6	24.96	313.33	1

n77 100M DFT-s-OFDM 64QAM(SCS 30 kHz)						
Channel	Frequency (MHz)	Conducted Power (dBm)	Gain (dB)	EIRP (dBm)	EIRP (mW)	Limit (W)
650000	3750	22.67	0.6	23.27	212.32	1
656000	3840	22.54	0.6	23.14	206.06	1
662000	3930	23.1	0.6	23.7	234.42	1

n77 100M DFT-s-OFDM 256QAM(SCS 30 kHz)						
Channel	Frequency (MHz)	Conducted Power (dBm)	Gain (dB)	EIRP (dBm)	EIRP (mW)	Limit (W)
650000	3750	20.63	0.6	21.23	132.74	1
656000	3840	20.3	0.6	20.9	123.03	1
662000	3930	20.84	0.6	21.44	139.32	1

n77 90M DFT-s-OFDM QPSK(SCS 30 kHz)						
Channel	Frequency (MHz)	Conducted Power (dBm)	Gain (dB)	EIRP (dBm)	EIRP (mW)	Limit (W)
649668	3754.02	24.67	0.5	25.17	328.85	1
656000	3840	24.5	0.5	25	316.23	1
662332	3934.98	24.69	0.5	25.19	330.37	1

n77 80M DFT-s-OFDM QPSK(SCS 30 kHz)						
Channel	Frequency (MHz)	Conducted Power (dBm)	Gain (dB)	EIRP (dBm)	EIRP (mW)	Limit (W)
649334	3740.01	24.61	0.6	25.21	331.89	1
656000	3840	24.8	0.6	25.4	346.74	1
662666	3939.99	24.75	0.6	25.35	342.77	1



Test Report No.: W7L-240618W002RF12

n77 70M DFT-s-OFDM QPSK(SCS 30 kHz)						
Channel	Frequency (MHz)	Conducted Power (dBm)	Gain (dB)	EIRP (dBm)	EIRP (mW)	Limit (W)
649000	3735	24.69	0.6	25.29	338.06	1
656000	3840	24.83	0.6	25.43	349.14	1
663000	3945	24.71	0.6	25.31	339.63	1

n77 60M DFT-s-OFDM QPSK(SCS 30 kHz)						
Channel	Frequency (MHz)	Conducted Power (dBm)	Gain (dB)	EIRP (dBm)	EIRP (mW)	Limit (W)
648668	3730.02	24.66	0.6	25.26	335.74	1
656000	3840	24.55	0.6	25.15	327.34	1
663332	3949.98	24.72	0.6	25.32	340.41	1

n77 50M DFT-s-OFDM QPSK(SCS 30 kHz)						
Channel	Frequency (MHz)	Conducted Power (dBm)	Gain (dB)	EIRP (dBm)	EIRP (mW)	Limit (W)
648334	3725.01	24.66	0.6	25.26	335.74	1
656000	3840	24.72	0.6	25.32	340.41	1
663666	3954.99	24.75	0.6	25.35	342.77	1

n77 40M DFT-s-OFDM QPSK(SCS 30 kHz)						
Channel	Frequency (MHz)	Conducted Power (dBm)	Gain (dB)	EIRP (dBm)	EIRP (mW)	Limit (W)
648000	3720	24.68	0.6	25.28	337.29	1
656000	3840	24.57	0.6	25.17	328.85	1
664000	3960	24.62	0.6	25.22	332.66	1

n77 20M DFT-s-OFDM QPSK(SCS 30 kHz)						
Channel	Frequency (MHz)	Conducted Power (dBm)	Gain (dB)	EIRP (dBm)	EIRP (mW)	Limit (W)
647334	3710.01	24.61	0.6	25.21	331.89	1
656000	3840	24.63	0.6	25.23	333.43	1
664666	3969.99	24.72	0.6	25.32	340.41	1



Test Report No.: W7L-240618W002RF12

n77 15M DFT-s-OFDM QPSK(SCS 30 kHz)						
Channel	Frequency (MHz)	Conducted Power (dBm)	Gain (dB)	EIRP (dBm)	EIRP (mW)	Limit (W)
647168	3707.52	24.71	0.6	25.31	339.63	1
656000	3840	24.74	0.6	25.34	341.98	1
664832	3972.48	24.7	0.6	25.3	338.84	1

n77 10M DFT-s-OFDM QPSK(SCS 30 kHz)						
Channel	Frequency (MHz)	Conducted Power (dBm)	Gain (dB)	EIRP (dBm)	EIRP (mW)	Limit (W)
647000	3705	24.6	0.6	25.2	331.13	1
656000	3840	24.78	0.6	25.38	345.14	1
665000	3975	24.69	0.6	25.29	338.06	1

n78 100M DFT-s-OFDM Pi/2 BPSK(SCS 30 kHz)						
Channel	Frequency (MHz)	Conducted Power (dBm)	Gain (dB)	EIRP (dBm)	EIRP (mW)	Limit (dBm/10Mhz)
633334	3500.01	24.28	0.6	24.88	307.61	1

n78 100M DFT-s-OFDM QPSK(SCS 30 kHz)						
Channel	Frequency (MHz)	Conducted Power (dBm)	Gain (dB)	EIRP (dBm)	EIRP (mW)	Limit (dBm/10Mhz)
633334	3500.01	24.45	0.6	25.05	319.89	1

n78 100M DFT-s-OFDM 16QAM(SCS 30 kHz)						
Channel	Frequency (MHz)	Conducted Power (dBm)	Gain (dB)	EIRP (dBm)	EIRP (mW)	Limit (dBm/10Mhz)
633334	3500.01	23.21	0.6	23.81	240.44	1

n78 100M DFT-s-OFDM 64QAM(SCS 30 kHz)						
Channel	Frequency (MHz)	Conducted Power (dBm)	Gain (dB)	EIRP (dBm)	EIRP (mW)	Limit (dBm/10Mhz)
633334	3500.01	22.07	0.6	22.67	184.93	1



Test Report No.: W7L-240618W002RF12

n78 100M DFT-s-OFDM 256QAM(SCS 30 kHz)						
Channel	Frequency (MHz)	Conducted Power (dBm)	Gain (dB)	EIRP (dBm)	EIRP (mW)	Limit (dBm/10Mhz)
633334	3500.01	20.12	0.6	20.72	118.03	1

n78 90M DFT-s-OFDM QPSK(SCS 30 kHz)						
Channel	Frequency (MHz)	Conducted Power (dBm)	Gain (dB)	EIRP (dBm)	EIRP (mW)	Limit (dBm/10Mhz)
633000	3495	24.15	0.6	24.75	298.54	1
633334	3500.01	24.27	0.6	24.87	306.9	1
633666	3504.99	24.13	0.6	24.73	297.17	1

n78 80M DFT-s-OFDM QPSK(SCS 30 kHz)						
Channel	Frequency (MHz)	Conducted Power (dBm)	Gain (dB)	EIRP (dBm)	EIRP (mW)	Limit (dBm/10Mhz)
632668	3490.02	24.17	0.6	24.77	299.92	1
633334	3500.01	24.29	0.6	24.89	308.32	1
634000	3510	24.23	0.6	24.83	304.09	1

n78 70M DFT-s-OFDM QPSK(SCS 30 kHz)						
Channel	Frequency (MHz)	Conducted Power (dBm)	Gain (dB)	EIRP (dBm)	EIRP (mW)	Limit (dBm/10Mhz)
632334	3485.01	24.24	0.6	24.84	304.79	1
633334	3500.01	24.09	0.6	24.69	294.44	1
634332	3514.98	24.15	0.6	24.75	298.54	1

n78 60M DFT-s-OFDM QPSK(SCS 30 kHz)						
Channel	Frequency (MHz)	Conducted Power (dBm)	Gain (dB)	EIRP (dBm)	EIRP (mW)	Limit (dBm/10Mhz)
632000	3480	24.27	0.6	24.87	306.9	1
633334	3500.01	24.3	0.6	24.9	309.03	1
634666	3519.99	24.26	0.6	24.86	306.2	1



Test Report No.: W7L-240618W002RF12

n78 50M DFT-s-OFDM QPSK(SCS 30 kHz)						
Channel	Frequency (MHz)	Conducted Power (dBm)	Gain (dB)	EIRP (dBm)	EIRP (mW)	Limit (dBm/10Mhz)
631668	3475.02	24.19	0.6	24.79	301.3	1
633334	3500.01	24.22	0.6	24.82	303.39	1
635000	3525	24.1	0.6	24.7	295.12	1

n78 40M DFT-s-OFDM QPSK(SCS 30 kHz)						
Channel	Frequency (MHz)	Conducted Power (dBm)	Gain (dB)	EIRP (dBm)	EIRP (mW)	Limit (dBm/10Mhz)
631334	3470.01	24.28	0.6	24.88	307.61	1
633334	3500.01	24.13	0.6	24.73	297.17	1
635332	3529.98	24.01	0.6	24.61	289.07	1

n78 20M DFT-s-OFDM QPSK(SCS 30 kHz)						
Channel	Frequency (MHz)	Conducted Power (dBm)	Gain (dB)	EIRP (dBm)	EIRP (mW)	Limit (dBm/10Mhz)
630668	3460.02	24.06	0.6	24.66	292.42	1
633334	3500.01	24.29	0.6	24.89	308.32	1
636000	3540	24.15	0.6	24.75	298.54	1

n78 15M DFT-s-OFDM QPSK(SCS 30 kHz)						
Channel	Frequency (MHz)	Conducted Power (dBm)	Gain (dB)	EIRP (dBm)	EIRP (mW)	Limit (dBm/10Mhz)
630500	3457.5	24.23	0.6	24.83	304.09	1
633334	3500.01	24.23	0.6	24.83	304.09	1
636166	3542.49	24.29	0.6	24.89	308.32	1

n78 10M DFT-s-OFDM QPSK(SCS 30 kHz)						
Channel	Frequency (MHz)	Conducted Power (dBm)	Gain (dB)	EIRP (dBm)	EIRP (mW)	Limit (dBm/10Mhz)
630334	3455.01	24.17	0.6	24.77	299.92	1
633334	3500.01	24.21	0.6	24.81	302.69	1
636332	3544.98	24.22	0.6	24.82	303.39	1



Test Report No.: W7L-240618W002RF12

FDD 30KHz TDD 15KHz:

ANT 4(UP):

n2 20M DFT-s-OFDM Pi/2 BPSK(SCS 30 kHz)						
Channel	Frequency (MHz)	Conducted Power (dBm)	Gain (dB)	EIRP (dBm)	EIRP (mW)	Limit (W)
372000	1860	23.82	0.4	24.22	264.24	2
376000	1880	23.76	0.4	24.16	260.62	2
380000	1900	23.74	0.4	24.14	259.42	2

n2 20M DFT-s-OFDM QPSK(SCS 30 kHz)						
Channel	Frequency (MHz)	Conducted Power (dBm)	Gain (dB)	EIRP (dBm)	EIRP (mW)	Limit (W)
372000	1860	23.86	0.4	24.26	266.69	2
376000	1880	23.85	0.4	24.25	266.07	2
380000	1900	23.83	0.4	24.23	264.85	2

n2 20M DFT-s-OFDM 16QAM(SCS 30 kHz)						
Channel	Frequency (MHz)	Conducted Power (dBm)	Gain (dB)	EIRP (dBm)	EIRP (mW)	Limit (W)
372000	1860	22.95	0.4	23.35	216.27	2
376000	1880	22.84	0.4	23.24	210.86	2
380000	1900	22.89	0.4	23.29	213.3	2

n2 20M DFT-s-OFDM 64QAM(SCS 30kHz)						
Channel	Frequency (MHz)	Conducted Power (dBm)	Gain (dB)	EIRP (dBm)	EIRP (mW)	Limit (W)
372000	1860	21.43	0.4	21.83	152.41	2
376000	1880	21.39	0.4	21.79	151.01	2
380000	1900	21.31	0.4	21.71	148.25	2

n2 20M DFT-s-OFDM 256QAM(SCS 30 kHz)						
Channel	Frequency (MHz)	Conducted Power (dBm)	Gain (dB)	EIRP (dBm)	EIRP (mW)	Limit (W)
372000	1860	19.6	0.4	20	100	2
376000	1880	19.5	0.4	19.9	97.72	2
380000	1900	19.54	0.4	19.94	98.63	2



Test Report No.: W7L-240618W002RF12

n2 15M DFT-s-OFDM QPSK(SCS 30 kHz)						
Channel	Frequency (MHz)	Conducted Power (dBm)	Gain (dB)	EIRP (dBm)	EIRP (mW)	Limit (W)
371500	1857.5	23.79	0.4	24.19	262.42	2
376000	1880	23.78	0.4	24.18	261.82	2
380500	1902.5	23.72	0.4	24.12	258.23	2

n2 10M DFT-s-OFDM QPSK(SCS 30 kHz)						
Channel	Frequency (MHz)	Conducted Power (dBm)	Gain (dB)	EIRP (dBm)	EIRP (mW)	Limit (W)
371000	1855	23.74	0.4	24.14	259.42	2
376000	1880	23.71	0.4	24.11	257.63	2
381000	1905	23.75	0.4	24.15	260.02	2

n7 50M DFT-s-OFDM Pi/2 BPSK(SCS 30 kHz)						
Channel	Frequency (MHz)	Conducted Power (dBm)	Gain (dB)	EIRP (dBm)	EIRP (mW)	Limit (W)
505000	2525	23.87	-1.4	22.47	176.6	2
507000	2535	23.96	-1.4	22.56	180.3	2
509000	2545	23.93	-1.4	22.53	179.06	2

n7 50M DFT-s-OFDM QPSK(SCS 30 kHz)						
Channel	Frequency (MHz)	Conducted Power (dBm)	Gain (dB)	EIRP (dBm)	EIRP (mW)	Limit (W)
505000	2525	24	-1.4	22.6	181.97	2
507000	2535	23.98	-1.4	22.58	181.13	2
509000	2545	23.99	-1.4	22.59	181.55	2

n7 50M DFT-s-OFDM 16QAM(SCS 30 kHz)						
Channel	Frequency (MHz)	Conducted Power (dBm)	Gain (dB)	EIRP (dBm)	EIRP (mW)	Limit (W)
505000	2525	23.05	-1.4	21.65	146.22	2
507000	2535	23.03	-1.4	21.63	145.55	2
509000	2545	23.06	-1.4	21.66	146.55	2

n7 50M DFT-s-OFDM 64QAM(SCS 30 kHz)						
Channel	Frequency (MHz)	Conducted Power (dBm)	Gain (dB)	EIRP (dBm)	EIRP (mW)	Limit (W)
505000	2525	21.51	-1.4	20.11	102.57	2
507000	2535	21.5	-1.4	20.1	102.33	2
509000	2545	21.48	-1.4	20.08	101.86	2

n7 50M DFT-s-OFDM 256QAM(SCS 30 kHz)						
Channel	Frequency (MHz)	Conducted Power (dBm)	Gain (dB)	EIRP (dBm)	EIRP (mW)	Limit (W)
505000	2525	19.63	-1.4	18.23	66.53	2
507000	2535	19.61	-1.4	18.21	66.22	2
509000	2545	19.53	-1.4	18.13	65.01	2

n7 40M DFT-s-OFDM QPSK(SCS 30 kHz)						
Channel	Frequency (MHz)	Conducted Power (dBm)	Gain (dB)	EIRP (dBm)	EIRP (mW)	Limit (W)
503500	2517.5	23.93	-1.4	22.53	179.06	2
507000	2535	23.82	-1.4	22.42	174.58	2
510500	2552.5	23.88	-1.4	22.48	177.01	2

n7 30M DFT-s-OFDM QPSK(SCS 30 kHz)						
Channel	Frequency (MHz)	Conducted Power (dBm)	Gain (dB)	EIRP (dBm)	EIRP (mW)	Limit (W)
503000	2515	23.81	-1.4	22.41	174.18	2
507000	2535	23.84	-1.4	22.44	175.39	2
511000	2555	23.79	-1.4	22.39	173.38	2

n7 25M DFT-s-OFDM QPSK(SCS 30 kHz)						
Channel	Frequency (MHz)	Conducted Power (dBm)	Gain (dB)	EIRP (dBm)	EIRP (mW)	Limit (W)
502500	2512.5	23.95	-1.4	22.55	179.89	2
507000	2535	23.84	-1.4	22.44	175.39	2
511500	2557.5	23.89	-1.4	22.49	177.42	2





Test Report No.: W7L-240618W002RF12

n7 20M DFT-s-OFDM QPSK(SCS 30 kHz)						
Channel	Frequency (MHz)	Conducted Power (dBm)	Gain (dB)	EIRP (dBm)	EIRP (mW)	Limit (W)
502000	2510	23.93	-1.4	22.53	179.06	2
507000	2535	23.88	-1.4	22.48	177.01	2
512000	2560	23.82	-1.4	22.42	174.58	2

n7 15M DFT-s-OFDM QPSK(SCS 30 kHz)						
Channel	Frequency (MHz)	Conducted Power (dBm)	Gain (dB)	EIRP (dBm)	EIRP (mW)	Limit (W)
501500	2507.5	23.92	-1.4	22.52	178.65	2
507000	2535	23.85	-1.4	22.45	175.79	2
512500	2562.5	23.85	-1.4	22.45	175.79	2

n7 10M DFT-s-OFDM QPSK(SCS 30 kHz)						
Channel	Frequency (MHz)	Conducted Power (dBm)	Gain (dB)	EIRP (dBm)	EIRP (mW)	Limit (W)
501000	2505	23.8	-1.4	22.4	173.78	2
507000	2535	23.86	-1.4	22.46	176.2	2
513000	2565	23.87	-1.4	22.47	176.6	2

n38 40M DFT-s-OFDM Pi/2 BPSK(SCS 15 kHz)						
Channel	Frequency (MHz)	Conducted Power (dBm)	Gain (dB)	EIRP (dBm)	EIRP (mW)	Limit (W)
518000	2590	23.25	-1	22.25	167.88	2
519000	2595	23.33	-1	22.33	171	2
520000	2600	23.35	-1	22.35	171.79	2

n38 40M DFT-s-OFDM QPSK(SCS 15 kHz)						
Channel	Frequency (MHz)	Conducted Power (dBm)	Gain (dB)	EIRP (dBm)	EIRP (mW)	Limit (W)
518000	2590	23.36	-1	22.36	172.19	2
519000	2595	23.35	-1	22.35	171.79	2
520000	2600	23.38	-1	22.38	172.98	2



Test Report No.: W7L-240618W002RF12

n38 40M DFT-s-OFDM 16QAM(SCS 15 kHz)						
Channel	Frequency (MHz)	Conducted Power (dBm)	Gain (dB)	EIRP (dBm)	EIRP (mW)	Limit (W)
518000	2590	22.45	-1	21.45	139.64	2
519000	2595	22.42	-1	21.42	138.68	2
520000	2600	22.45	-1	21.45	139.64	2

n38 40M DFT-s-OFDM 64QAM(SCS 15 kHz)						
Channel	Frequency (MHz)	Conducted Power (dBm)	Gain (dB)	EIRP (dBm)	EIRP (mW)	Limit (W)
518000	2590	21.65	-1	20.65	116.14	2
519000	2595	21.63	-1	20.63	115.61	2
520000	2600	21.69	-1	20.69	117.22	2

n38 40M DFT-s-OFDM 256QAM(SCS 15 kHz)						
Channel	Frequency (MHz)	Conducted Power (dBm)	Gain (dB)	EIRP (dBm)	EIRP (mW)	Limit (W)
518000	2590	19.62	-1	18.62	72.78	2
519000	2595	19.57	-1	18.57	71.94	2
520000	2600	19.6	-1	18.6	72.44	2

n38 30M DFT-s-OFDM QPSK(SCS 15 kHz)						
Channel	Frequency (MHz)	Conducted Power (dBm)	Gain (dB)	EIRP (dBm)	EIRP (mW)	Limit (W)
517000	2585	23.24	-1	22.24	167.49	2
519000	2595	23.3	-1	22.3	169.82	2
521000	2605	23.28	-1	22.28	169.04	2

n38 25M DFT-s-OFDM QPSK(SCS 15 kHz)						
Channel	Frequency (MHz)	Conducted Power (dBm)	Gain (dB)	EIRP (dBm)	EIRP (mW)	Limit (W)
516500	2582.5	23.19	-1	22.19	165.58	2
519000	2595	23.24	-1	22.24	167.49	2
521500	2607.5	23.3	-1	22.3	169.82	2



Test Report No.: W7L-240618W002RF12

n38 20M DFT-s-OFDM QPSK(SCS 15 kHz)						
Channel	Frequency (MHz)	Conducted Power (dBm)	Gain (dB)	EIRP (dBm)	EIRP (mW)	Limit (W)
516000	2582.5	23.32	-1	22.32	170.61	2
519000	2595	23.24	-1	22.24	167.49	2
522000	2610	23.36	-1	22.36	172.19	2

n38 15M DFT-s-OFDM QPSK(SCS 15 kHz)						
Channel	Frequency (MHz)	Conducted Power (dBm)	Gain (dB)	EIRP (dBm)	EIRP (mW)	Limit (W)
515500	2577.5	23.28	-1	22.28	169.04	2
519000	2595	23.22	-1	22.22	166.72	2
522500	2612.5	23.34	-1	22.34	171.4	2

n38 10M DFT-s-OFDM QPSK(SCS 15 kHz)						
Channel	Frequency (MHz)	Conducted Power (dBm)	Gain (dB)	EIRP (dBm)	EIRP (mW)	Limit (W)
515000	2575	23.25	-1	22.25	167.88	2
519000	2595	23.22	-1	22.22	166.72	2
523000	2615	23.31	-1	22.31	170.22	2

n38 5M DFT-s-OFDM QPSK(SCS 15 kHz)						
Channel	Frequency (MHz)	Conducted Power (dBm)	Gain (dB)	EIRP (dBm)	EIRP (mW)	Limit (W)
514500	2575	23.18	-1	22.18	165.2	2
519000	2595	23.28	-1	22.28	169.04	2
523500	2615	23.29	-1	22.29	169.43	2

n41 50M DFT-s-OFDM Pi/2 BPSK(SCS 15 kHz)						
Channel	Frequency (MHz)	Conducted Power (dBm)	Gain (dB)	EIRP (dBm)	EIRP (mW)	Limit (W)
504201	2521.005	23.76	-1	22.76	188.8	2
518601	2593.005	23.77	-1	22.77	189.23	2
532998	2664.99	23.74	-1	22.74	187.93	2

n41 50M DFT-s-OFDM QPSK(SCS 15 kHz)						
Channel	Frequency (MHz)	Conducted Power (dBm)	Gain (dB)	EIRP (dBm)	EIRP (mW)	Limit (W)
504201	2521.005	23.91	-1	22.91	195.43	2
518601	2593.005	23.86	-1	22.86	193.2	2
532998	2664.99	23.89	-1	22.89	194.54	2

n41 50M DFT-s-OFDM 16QAM(SCS 15 kHz)						
Channel	Frequency (MHz)	Conducted Power (dBm)	Gain (dB)	EIRP (dBm)	EIRP (mW)	Limit (W)
504201	2521.005	22.94	-1	21.94	156.31	2
518601	2593.005	22.89	-1	21.89	154.53	2
532998	2664.99	22.93	-1	21.93	155.96	2

n41 50M DFT-s-OFDM 64QAM(SCS 15 kHz)						
Channel	Frequency (MHz)	Conducted Power (dBm)	Gain (dB)	EIRP (dBm)	EIRP (mW)	Limit (W)
504201	2521.005	21.74	-1	20.74	118.58	2
518601	2593.005	21.7	-1	20.7	117.49	2
532998	2664.99	21.67	-1	20.67	116.68	2

n41 50M DFT-s-OFDM 256QAM(SCS 15 kHz)						
Channel	Frequency (MHz)	Conducted Power (dBm)	Gain (dB)	EIRP (dBm)	EIRP (mW)	Limit (W)
504201	2521.005	19.81	-1	18.81	76.03	2
518601	2593.005	19.77	-1	18.77	75.34	2
532998	2664.99	19.7	-1	18.7	74.13	2

n41 40M DFT-s-OFDM QPSK(SCS 15 kHz)						
Channel	Frequency (MHz)	Conducted Power (dBm)	Gain (dB)	EIRP (dBm)	EIRP (mW)	Limit (W)
503202	2516.01	23.76	-1	22.76	188.8	2
518601	2593.005	23.68	-1	22.68	185.35	2
534000	2670	23.66	-1	22.66	184.5	2

n41 30M DFT-s-OFDM QPSK(SCS 15 kHz)						
Channel	Frequency (MHz)	Conducted Power (dBm)	Gain (dB)	EIRP (dBm)	EIRP (mW)	Limit (W)
502200	2511	23.88	-1	22.88	194.09	2
518601	2593.005	23.83	-1	22.83	191.87	2
534999	2674.995	23.78	-1	22.78	189.67	2

n41 20M DFT-s-OFDM QPSK(SCS 15 kHz)						
Channel	Frequency (MHz)	Conducted Power (dBm)	Gain (dB)	EIRP (dBm)	EIRP (mW)	Limit (W)
501202	2506.005	23.77	-1	22.77	189.23	2
518601	2593.005	23.85	-1	22.85	192.75	2
535998	2679.99	23.74	-1	22.74	187.93	2

n41 15M DFT-s-OFDM QPSK(SCS 15 kHz)						
Channel	Frequency (MHz)	Conducted Power (dBm)	Gain (dB)	EIRP (dBm)	EIRP (mW)	Limit (W)
500700	2503.5	23.74	-1	22.74	187.93	2
518601	2593.005	23.69	-1	22.69	185.78	2
536499	2682.495	23.67	-1	22.67	184.93	2

n41 10M DFT-s-OFDM QPSK(SCS 15 kHz)						
Channel	Frequency (MHz)	Conducted Power (dBm)	Gain (dB)	EIRP (dBm)	EIRP (mW)	Limit (W)
500202	2501.01	23.8	-1	22.8	190.55	2
518601	2593.005	23.82	-1	22.82	191.43	2
537000	2685	23.8	-1	22.8	190.55	2

n66 40M DFT-s-OFDM Pi/2 BPSK(SCS 30 kHz)						
Channel	Frequency (MHz)	Conducted Power (dBm)	Gain (dB)	EIRP (dBm)	EIRP (mW)	Limit (W)
346000	1730	24.01	0.3	24.31	269.77	1
349000	1745	23.9	0.3	24.2	263.03	1
352000	1760	23.92	0.3	24.22	264.24	1



Test Report No.: W7L-240618W002RF12

n66 40M DFT-s-OFDM QPSK(SCS 30 kHz)						
Channel	Frequency (MHz)	Conducted Power (dBm)	Gain (dB)	EIRP (dBm)	EIRP (mW)	Limit (W)
346000	1730	24.06	0.3	24.36	272.9	1
349000	1745	24.03	0.3	24.33	271.02	1
352000	1760	24.02	0.3	24.32	270.4	1

n66 40M DFT-s-OFDM 16QAM(SCS 30 kHz)						
Channel	Frequency (MHz)	Conducted Power (dBm)	Gain (dB)	EIRP (dBm)	EIRP (mW)	Limit (W)
346000	1730	23.04	0.3	23.34	215.77	1
349000	1745	23.07	0.3	23.37	217.27	1
352000	1760	23.05	0.3	23.35	216.27	1

n66 40M DFT-s-OFDM 64QAM(SCS 30 kHz)						
Channel	Frequency (MHz)	Conducted Power (dBm)	Gain (dB)	EIRP (dBm)	EIRP (mW)	Limit (W)
346000	1730	21.64	0.3	21.94	156.31	1
349000	1745	21.65	0.3	21.95	156.68	1
352000	1760	21.72	0.3	22.02	159.22	1

n66 40M DFT-s-OFDM 256QAM(SCS 30 kHz)						
Channel	Frequency (MHz)	Conducted Power (dBm)	Gain (dB)	EIRP (dBm)	EIRP (mW)	Limit (W)
346000	1730	19.64	0.3	19.94	98.63	1
349000	1745	19.69	0.3	19.99	99.77	1
352000	1760	19.66	0.3	19.96	99.08	1

n66 35M DFT-s-OFDM QPSK(SCS 30 kHz)						
Channel	Frequency (MHz)	Conducted Power (dBm)	Gain (dB)	EIRP (dBm)	EIRP (mW)	Limit (W)
345500	1727.5	23.81	0.3	24.11	257.63	1
349000	1745	23.88	0.3	24.18	261.82	1
352500	1762.5	23.87	0.3	24.17	261.22	1



Test Report No.: W7L-240618W002RF12

n66 30M DFT-s-OFDM QPSK(SCS 30 kHz)						
Channel	Frequency (MHz)	Conducted Power (dBm)	Gain (dB)	EIRP (dBm)	EIRP (mW)	Limit (W)
345000	1725	23.95	0.3	24.25	266.07	1
349000	1745	24.02	0.3	24.32	270.4	1
353000	1765	23.94	0.3	24.24	265.46	1

n66 25M DFT-s-OFDM QPSK(SCS 30 kHz)						
Channel	Frequency (MHz)	Conducted Power (dBm)	Gain (dB)	EIRP (dBm)	EIRP (mW)	Limit (W)
344500	1722.5	23.78	0.3	24.08	255.86	1
349000	1745	23.86	0.3	24.16	260.62	1
353500	1767.5	23.58	0.3	23.88	244.34	1

n66 20M DFT-s-OFDM QPSK(SCS 30 kHz)						
Channel	Frequency (MHz)	Conducted Power (dBm)	Gain (dB)	EIRP (dBm)	EIRP (mW)	Limit (W)
344000	1720	23.71	0.3	24.01	251.77	1
349000	1745	23.96	0.3	24.26	266.69	1
354000	1770	23.59	0.3	23.89	244.91	1

n66 15M DFT-s-OFDM QPSK(SCS 30 kHz)						
Channel	Frequency (MHz)	Conducted Power (dBm)	Gain (dB)	EIRP (dBm)	EIRP (mW)	Limit (W)
343500	1717.5	23.92	0.3	24.22	264.24	1
349000	1745	23.98	0.3	24.28	267.92	1
354500	1772.5	23.9	0.3	24.2	263.03	1

n66 10M DFT-s-OFDM QPSK(SCS 30 kHz)						
Channel	Frequency (MHz)	Conducted Power (dBm)	Gain (dB)	EIRP (dBm)	EIRP (mW)	Limit (W)
343000	1715	23.79	0.3	24.09	256.45	1
349000	1745	23.82	0.3	24.12	258.23	1
355000	1775	23.8	0.3	24.1	257.04	1



Test Report No.: W7L-240618W002RF12

**ANT 1(DOWN):**

n2 20M DFT-s-OFDM Pi/2 BPSK(SCS 30 kHz)						
Channel	Frequency (MHz)	Conducted Power (dBm)	Gain (dB)	EIRP (dBm)	EIRP (mW)	Limit (W)
372000	1860	24.34	-0.6	23.74	236.59	2
376000	1880	24.26	-0.6	23.66	232.27	2
380000	1900	24.26	-0.6	23.66	232.27	2

n2 20M DFT-s-OFDM QPSK(SCS 30 kHz)						
Channel	Frequency (MHz)	Conducted Power (dBm)	Gain (dB)	EIRP (dBm)	EIRP (mW)	Limit (W)
372000	1860	24.44	-0.6	23.84	242.1	2
376000	1880	24.32	-0.6	23.72	235.5	2
380000	1900	24.27	-0.6	23.67	232.81	2

n2 20M DFT-s-OFDM 16QAM(SCS 30 kHz)						
Channel	Frequency (MHz)	Conducted Power (dBm)	Gain (dB)	EIRP (dBm)	EIRP (mW)	Limit (W)
372000	1860	23.38	-0.6	22.78	189.67	2
376000	1880	23.31	-0.6	22.71	186.64	2
380000	1900	23.25	-0.6	22.65	184.08	2

n2 20M DFT-s-OFDM 64QAM(SCS 30kHz)						
Channel	Frequency (MHz)	Conducted Power (dBm)	Gain (dB)	EIRP (dBm)	EIRP (mW)	Limit (W)
372000	1860	22.08	-0.6	21.48	140.6	2
376000	1880	22.04	-0.6	21.44	139.32	2
380000	1900	21.94	-0.6	21.34	136.14	2

n2 20M DFT-s-OFDM 256QAM(SCS 30 kHz)						
Channel	Frequency (MHz)	Conducted Power (dBm)	Gain (dB)	EIRP (dBm)	EIRP (mW)	Limit (W)
372000	1860	19.99	-0.6	19.39	86.9	2
376000	1880	19.93	-0.6	19.33	85.7	2
380000	1900	19.87	-0.6	19.27	84.53	2





Test Report No.: W7L-240618W002RF12

n2 15M DFT-s-OFDM QPSK(SCS 30 kHz)						
Channel	Frequency (MHz)	Conducted Power (dBm)	Gain (dB)	EIRP (dBm)	EIRP (mW)	Limit (W)
371500	1857.5	24.16	-0.6	23.56	226.99	2
376000	1880	24.3	-0.6	23.7	234.42	2
380500	1902.5	24.1	-0.6	23.5	223.87	2

n2 10M DFT-s-OFDM QPSK(SCS 30 kHz)						
Channel	Frequency (MHz)	Conducted Power (dBm)	Gain (dB)	EIRP (dBm)	EIRP (mW)	Limit (W)
371000	1855	24.39	-0.6	23.79	239.33	2
376000	1880	24.22	-0.6	23.62	230.14	2
381000	1905	24.06	-0.6	23.46	221.82	2

n7 50M DFT-s-OFDM Pi/2 BPSK(SCS 30 kHz)						
Channel	Frequency (MHz)	Conducted Power (dBm)	Gain (dB)	EIRP (dBm)	EIRP (mW)	Limit (W)
505000	2525	23.81	-0.6	23.21	209.41	2
507000	2535	23.79	-0.6	23.19	208.45	2
509000	2545	23.89	-0.6	23.29	213.3	2

n7 50M DFT-s-OFDM QPSK(SCS 30 kHz)						
Channel	Frequency (MHz)	Conducted Power (dBm)	Gain (dB)	EIRP (dBm)	EIRP (mW)	Limit (W)
505000	2525	23.92	-0.6	23.32	214.78	2
507000	2535	23.9	-0.6	23.3	213.8	2
509000	2545	24.02	-0.6	23.42	219.79	2

n7 50M DFT-s-OFDM 16QAM(SCS 30 kHz)						
Channel	Frequency (MHz)	Conducted Power (dBm)	Gain (dB)	EIRP (dBm)	EIRP (mW)	Limit (W)
505000	2525	22.96	-0.6	22.36	172.19	2
507000	2535	23	-0.6	22.4	173.78	2
509000	2545	23.03	-0.6	22.43	174.98	2



Test Report No.: W7L-240618W002RF12

n7 50M DFT-s-OFDM 64QAM(SCS 30 kHz)						
Channel	Frequency (MHz)	Conducted Power (dBm)	Gain (dB)	EIRP (dBm)	EIRP (mW)	Limit (W)
505000	2525	21.64	-0.6	21.04	127.06	2
507000	2535	21.57	-0.6	20.97	125.03	2
509000	2545	21.58	-0.6	20.98	125.31	2

n7 50M DFT-s-OFDM 256QAM(SCS 30 kHz)						
Channel	Frequency (MHz)	Conducted Power (dBm)	Gain (dB)	EIRP (dBm)	EIRP (mW)	Limit (W)
505000	2525	19.56	-0.6	18.96	78.7	2
507000	2535	19.58	-0.6	18.98	79.07	2
509000	2545	19.63	-0.6	19.03	79.98	2

n7 40M DFT-s-OFDM QPSK(SCS 30 kHz)						
Channel	Frequency (MHz)	Conducted Power (dBm)	Gain (dB)	EIRP (dBm)	EIRP (mW)	Limit (W)
503500	2517.5	23.74	-0.6	23.14	206.06	2
507000	2535	23.82	-0.6	23.22	209.89	2
510500	2552.5	23.77	-0.6	23.17	207.49	2

n7 30M DFT-s-OFDM QPSK(SCS 30 kHz)						
Channel	Frequency (MHz)	Conducted Power (dBm)	Gain (dB)	EIRP (dBm)	EIRP (mW)	Limit (W)
503000	2515	23.73	-0.6	23.13	205.59	2
507000	2535	23.84	-0.6	23.24	210.86	2
511000	2555	23.72	-0.6	23.12	205.12	2

n7 25M DFT-s-OFDM QPSK(SCS 30 kHz)						
Channel	Frequency (MHz)	Conducted Power (dBm)	Gain (dB)	EIRP (dBm)	EIRP (mW)	Limit (W)
502500	2512.5	23.81	-0.6	23.21	209.41	2
507000	2535	23.79	-0.6	23.19	208.45	2
511500	2557.5	23.89	-0.6	23.29	213.3	2



Test Report No.: W7L-240618W002RF12

n7 20M DFT-s-OFDM QPSK(SCS 30 kHz)						
Channel	Frequency (MHz)	Conducted Power (dBm)	Gain (dB)	EIRP (dBm)	EIRP (mW)	Limit (W)
502000	2510	23.87	-0.6	23.27	212.32	2
507000	2535	23.79	-0.6	23.19	208.45	2
512000	2560	23.7	-0.6	23.1	204.17	2

n7 15M DFT-s-OFDM QPSK(SCS 30 kHz)						
Channel	Frequency (MHz)	Conducted Power (dBm)	Gain (dB)	EIRP (dBm)	EIRP (mW)	Limit (W)
501500	2507.5	23.83	-0.6	23.23	210.38	2
507000	2535	23.78	-0.6	23.18	207.97	2
512500	2562.5	23.76	-0.6	23.16	207.01	2

n7 10M DFT-s-OFDM QPSK(SCS 30 kHz)						
Channel	Frequency (MHz)	Conducted Power (dBm)	Gain (dB)	EIRP (dBm)	EIRP (mW)	Limit (W)
501000	2505	23.8	-0.6	23.2	208.93	2
507000	2535	23.84	-0.6	23.24	210.86	2
513000	2565	23.79	-0.6	23.19	208.45	2

n38 40M DFT-s-OFDM Pi/2 BPSK(SCS 15 kHz)						
Channel	Frequency (MHz)	Conducted Power (dBm)	Gain (dB)	EIRP (dBm)	EIRP (mW)	Limit (W)
518000	2590	24.04	-0.6	23.44	220.8	2
519000	2595	24.04	-0.6	23.44	220.8	2
520000	2600	24.09	-0.6	23.49	223.36	2

n38 40M DFT-s-OFDM QPSK(SCS 15 kHz)						
Channel	Frequency (MHz)	Conducted Power (dBm)	Gain (dB)	EIRP (dBm)	EIRP (mW)	Limit (W)
518000	2590	24.1	-0.6	23.5	223.87	2
519000	2595	24.12	-0.6	23.52	224.91	2
520000	2600	24.11	-0.6	23.51	224.39	2

n38 40M DFT-s-OFDM 16QAM(SCS 15 kHz)						
Channel	Frequency (MHz)	Conducted Power (dBm)	Gain (dB)	EIRP (dBm)	EIRP (mW)	Limit (W)
518000	2590	22.96	-0.6	22.36	172.19	2
519000	2595	22.88	-0.6	22.28	169.04	2
520000	2600	23.08	-0.6	22.48	177.01	2

n38 40M DFT-s-OFDM 64QAM(SCS 15 kHz)						
Channel	Frequency (MHz)	Conducted Power (dBm)	Gain (dB)	EIRP (dBm)	EIRP (mW)	Limit (W)
518000	2590	21.61	-0.6	21.01	126.18	2
519000	2595	21.55	-0.6	20.95	124.45	2
520000	2600	21.55	-0.6	20.95	124.45	2

n38 40M DFT-s-OFDM 256QAM(SCS 15 kHz)						
Channel	Frequency (MHz)	Conducted Power (dBm)	Gain (dB)	EIRP (dBm)	EIRP (mW)	Limit (W)
518000	2590	19.65	-0.6	19.05	80.35	2
519000	2595	19.6	-0.6	19	79.43	2
520000	2600	19.74	-0.6	19.14	82.04	2

n38 30M DFT-s-OFDM QPSK(SCS 15 kHz)						
Channel	Frequency (MHz)	Conducted Power (dBm)	Gain (dB)	EIRP (dBm)	EIRP (mW)	Limit (W)
517000	2585	23.85	-0.6	23.25	211.35	2
519000	2595	23.93	-0.6	23.33	215.28	2
521000	2605	23.89	-0.6	23.29	213.3	2

n38 25M DFT-s-OFDM QPSK(SCS 15 kHz)						
Channel	Frequency (MHz)	Conducted Power (dBm)	Gain (dB)	EIRP (dBm)	EIRP (mW)	Limit (W)
516500	2582.5	23.97	-0.6	23.37	217.27	2
519000	2595	24.05	-0.6	23.45	221.31	2
521500	2607.5	23.96	-0.6	23.36	216.77	2

n38 20M DFT-s-OFDM QPSK(SCS 15 kHz)						
Channel	Frequency (MHz)	Conducted Power (dBm)	Gain (dB)	EIRP (dBm)	EIRP (mW)	Limit (W)
516000	2582.5	23.89	-0.6	23.29	213.3	2
519000	2595	23.95	-0.6	23.35	216.27	2
522000	2610	23.91	-0.6	23.31	214.29	2

n38 15M DFT-s-OFDM QPSK(SCS 15 kHz)						
Channel	Frequency (MHz)	Conducted Power (dBm)	Gain (dB)	EIRP (dBm)	EIRP (mW)	Limit (W)
515500	2577.5	23.95	-0.6	23.35	216.27	2
519000	2595	23.96	-0.6	23.36	216.77	2
522500	2612.5	23.93	-0.6	23.33	215.28	2

n38 10M DFT-s-OFDM QPSK(SCS 15 kHz)						
Channel	Frequency (MHz)	Conducted Power (dBm)	Gain (dB)	EIRP (dBm)	EIRP (mW)	Limit (W)
515000	2575	23.86	-0.6	23.26	211.84	2
519000	2595	23.89	-0.6	23.29	213.3	2
523000	2615	23.94	-0.6	23.34	215.77	2

n38 5M DFT-s-OFDM QPSK(SCS 15 kHz)						
Channel	Frequency (MHz)	Conducted Power (dBm)	Gain (dB)	EIRP (dBm)	EIRP (mW)	Limit (W)
514500	2575	23.83	-0.6	23.23	210.38	2
519000	2595	23.84	-0.6	23.24	210.86	2
523500	2615	23.9	-0.6	23.3	213.8	2

n41 50M DFT-s-OFDM Pi/2 BPSK(SCS 15 kHz)						
Channel	Frequency (MHz)	Conducted Power (dBm)	Gain (dB)	EIRP (dBm)	EIRP (mW)	Limit (W)
504201	2521.005	23.85	-0.6	23.25	211.35	2
518601	2593.005	23.93	-0.6	23.33	215.28	2
532998	2664.99	23.8	-0.6	23.2	208.93	2

n41 50M DFT-s-OFDM QPSK(SCS 15 kHz)						
Channel	Frequency (MHz)	Conducted Power (dBm)	Gain (dB)	EIRP (dBm)	EIRP (mW)	Limit (W)
504201	2521.005	23.96	-0.6	23.36	216.77	2
518601	2593.005	23.94	-0.6	23.34	215.77	2
532998	2664.99	23.92	-0.6	23.32	214.78	2

n41 50M DFT-s-OFDM 16QAM(SCS 15 kHz)						
Channel	Frequency (MHz)	Conducted Power (dBm)	Gain (dB)	EIRP (dBm)	EIRP (mW)	Limit (W)
504201	2521.005	23	-0.6	22.4	173.78	2
518601	2593.005	23.03	-0.6	22.43	174.98	2
532998	2664.99	22.98	-0.6	22.38	172.98	2

n41 50M DFT-s-OFDM 64QAM(SCS 15 kHz)						
Channel	Frequency (MHz)	Conducted Power (dBm)	Gain (dB)	EIRP (dBm)	EIRP (mW)	Limit (W)
504201	2521.005	21.68	-0.6	21.08	128.23	2
518601	2593.005	21.65	-0.6	21.05	127.35	2
532998	2664.99	21.61	-0.6	21.01	126.18	2

n41 50M DFT-s-OFDM 256QAM(SCS 15 kHz)						
Channel	Frequency (MHz)	Conducted Power (dBm)	Gain (dB)	EIRP (dBm)	EIRP (mW)	Limit (W)
504201	2521.005	19.8	-0.6	19.2	83.18	2
518601	2593.005	19.78	-0.6	19.18	82.79	2
532998	2664.99	19.71	-0.6	19.11	81.47	2

n41 40M DFT-s-OFDM QPSK(SCS 15 kHz)						
Channel	Frequency (MHz)	Conducted Power (dBm)	Gain (dB)	EIRP (dBm)	EIRP (mW)	Limit (W)
503202	2516.01	23.85	-0.6	23.25	211.35	2
518601	2593.005	23.75	-0.6	23.15	206.54	2
534000	2670	23.83	-0.6	23.23	210.38	2

n41 30M DFT-s-OFDM QPSK(SCS 15 kHz)						
Channel	Frequency (MHz)	Conducted Power (dBm)	Gain (dB)	EIRP (dBm)	EIRP (mW)	Limit (W)
502200	2511	23.82	-0.6	23.22	209.89	2
518601	2593.005	23.79	-0.6	23.19	208.45	2
534999	2674.995	23.72	-0.6	23.12	205.12	2

n41 20M DFT-s-OFDM QPSK(SCS 15 kHz)						
Channel	Frequency (MHz)	Conducted Power (dBm)	Gain (dB)	EIRP (dBm)	EIRP (mW)	Limit (W)
501202	2506.005	23.93	-0.6	23.33	215.28	2
518601	2593.005	23.91	-0.6	23.31	214.29	2
535998	2679.99	23.9	-0.6	23.3	213.8	2

n41 15M DFT-s-OFDM QPSK(SCS 15 kHz)						
Channel	Frequency (MHz)	Conducted Power (dBm)	Gain (dB)	EIRP (dBm)	EIRP (mW)	Limit (W)
500700	2503.5	23.81	-0.6	23.21	209.41	2
518601	2593.005	23.86	-0.6	23.26	211.84	2
536499	2682.495	23.89	-0.6	23.29	213.3	2

n41 10M DFT-s-OFDM QPSK(SCS 15 kHz)						
Channel	Frequency (MHz)	Conducted Power (dBm)	Gain (dB)	EIRP (dBm)	EIRP (mW)	Limit (W)
500202	2501.01	23.83	-0.6	23.23	210.38	2
518601	2593.005	23.72	-0.6	23.12	205.12	2
537000	2685	23.78	-0.6	23.18	207.97	2

n66 40M DFT-s-OFDM Pi/2 BPSK(SCS 30 kHz)						
Channel	Frequency (MHz)	Conducted Power (dBm)	Gain (dB)	EIRP (dBm)	EIRP (mW)	Limit (W)
346000	1730	24.48	1.3	25.78	378.44	1
349000	1745	24.44	1.3	25.74	374.97	1
352000	1760	24.48	1.3	25.78	378.44	1



Test Report No.: W7L-240618W002RF12

n66 40M DFT-s-OFDM QPSK(SCS 30 kHz)						
Channel	Frequency (MHz)	Conducted Power (dBm)	Gain (dB)	EIRP (dBm)	EIRP (mW)	Limit (W)
346000	1730	24.52	1.3	25.82	381.94	1
349000	1745	24.46	1.3	25.76	376.7	1
352000	1760	24.49	1.3	25.79	379.31	1

n66 40M DFT-s-OFDM 16QAM(SCS 30 kHz)						
Channel	Frequency (MHz)	Conducted Power (dBm)	Gain (dB)	EIRP (dBm)	EIRP (mW)	Limit (W)
346000	1730	23.48	1.3	24.78	300.61	1
349000	1745	23.52	1.3	24.82	303.39	1
352000	1760	23.51	1.3	24.81	302.69	1

n66 40M DFT-s-OFDM 64QAM(SCS 30 kHz)						
Channel	Frequency (MHz)	Conducted Power (dBm)	Gain (dB)	EIRP (dBm)	EIRP (mW)	Limit (W)
346000	1730	22.16	1.3	23.46	221.82	1
349000	1745	22.06	1.3	23.36	216.77	1
352000	1760	22.1	1.3	23.4	218.78	1

n66 40M DFT-s-OFDM 256QAM(SCS 30 kHz)						
Channel	Frequency (MHz)	Conducted Power (dBm)	Gain (dB)	EIRP (dBm)	EIRP (mW)	Limit (W)
346000	1730	20.1	1.3	21.4	138.04	1
349000	1745	20.14	1.3	21.44	139.32	1
352000	1760	20.11	1.3	21.41	138.36	1

n66 35M DFT-s-OFDM QPSK(SCS 30 kHz)						
Channel	Frequency (MHz)	Conducted Power (dBm)	Gain (dB)	EIRP (dBm)	EIRP (mW)	Limit (W)
345500	1727.5	24.29	1.3	25.59	362.24	1
349000	1745	23.23	1.3	24.53	283.79	1
352500	1762.5	24.39	1.3	25.69	370.68	1





Test Report No.: W7L-240618W002RF12

n66 30M DFT-s-OFDM QPSK(SCS 30 kHz)						
Channel	Frequency (MHz)	Conducted Power (dBm)	Gain (dB)	EIRP (dBm)	EIRP (mW)	Limit (W)
345000	1725	24.34	1.3	25.64	366.44	1
349000	1745	24.4	1.3	25.7	371.54	1
353000	1765	24.36	1.3	25.66	368.13	1

n66 25M DFT-s-OFDM QPSK(SCS 30 kHz)						
Channel	Frequency (MHz)	Conducted Power (dBm)	Gain (dB)	EIRP (dBm)	EIRP (mW)	Limit (W)
344500	1722.5	24.23	1.3	25.53	357.27	1
349000	1745	24.37	1.3	25.67	368.98	1
353500	1767.5	24.17	1.3	25.47	352.37	1

n66 20M DFT-s-OFDM QPSK(SCS 30 kHz)						
Channel	Frequency (MHz)	Conducted Power (dBm)	Gain (dB)	EIRP (dBm)	EIRP (mW)	Limit (W)
344000	1720	24.37	1.3	25.67	368.98	1
349000	1745	24.31	1.3	25.61	363.92	1
354000	1770	24.39	1.3	25.69	370.68	1

n66 15M DFT-s-OFDM QPSK(SCS 30 kHz)						
Channel	Frequency (MHz)	Conducted Power (dBm)	Gain (dB)	EIRP (dBm)	EIRP (mW)	Limit (W)
343500	1717.5	24.29	1.3	25.59	362.24	1
349000	1745	24.37	1.3	25.67	368.98	1
354500	1772.5	24.13	1.3	25.43	349.14	1

n66 10M DFT-s-OFDM QPSK(SCS 30 kHz)						
Channel	Frequency (MHz)	Conducted Power (dBm)	Gain (dB)	EIRP (dBm)	EIRP (mW)	Limit (W)
343000	1715	24.32	1.3	25.62	364.75	1
349000	1745	24.28	1.3	25.58	361.41	1
355000	1775	24.29	1.3	25.59	362.24	1



Test Report No.: W7L-240618W002RF12

**ANT 2(UP):**

n77 50M DFT-s-OFDM Pi/2 BPSK(SCS 15 kHz)						
Channel	Frequency (MHz)	Conducted Power (dBm)	Gain (dB)	EIRP (dBm)	EIRP (mW)	Limit (W)
631667	3475.005	23.98	-2	21.98	157.76	1
633334	3500.01	23.91	-2	21.91	155.24	1
635000	3525	23.9	-2	21.9	154.88	1

n77 50M DFT-s-OFDM QPSK(SCS 15 kHz)						
Channel	Frequency (MHz)	Conducted Power (dBm)	Gain (dB)	EIRP (dBm)	EIRP (mW)	Limit (W)
631667	3475.005	24	-2	22	158.49	1
633334	3500.01	23.99	-2	21.99	158.12	1
635000	3525	23.97	-2	21.97	157.4	1

n77 50M DFT-s-OFDM 16QAM(SCS 15 kHz)						
Channel	Frequency (MHz)	Conducted Power (dBm)	Gain (dB)	EIRP (dBm)	EIRP (mW)	Limit (W)
631667	3475.005	23.2	-2	21.2	131.83	1
633334	3500.01	23.35	-2	21.35	136.46	1
635000	3525	23.21	-2	21.21	132.13	1

n77 50M DFT-s-OFDM 64QAM(SCS 15 kHz)						
Channel	Frequency (MHz)	Conducted Power (dBm)	Gain (dB)	EIRP (dBm)	EIRP (mW)	Limit (W)
631667	3475.005	21.61	-2	19.61	91.41	1
633334	3500.01	21.64	-2	19.64	92.04	1
635000	3525	21.67	-2	19.67	92.68	1

n77 50M DFT-s-OFDM 256QAM(SCS 15 kHz)						
Channel	Frequency (MHz)	Conducted Power (dBm)	Gain (dB)	EIRP (dBm)	EIRP (mW)	Limit (W)
631667	3475.005	19.64	-2	17.64	58.08	1
633334	3500.01	19.71	-2	17.71	59.02	1
635000	3525	19.6	-2	17.6	57.54	1

n77 40M DFT-s-OFDM QPSK(SCS 15 kHz)						
Channel	Frequency (MHz)	Conducted Power (dBm)	Gain (dB)	EIRP (dBm)	EIRP (mW)	Limit (W)
631334	3470.01	23.9	-2	21.9	154.88	1
633334	3500.01	23.92	-2	21.92	155.6	1
635333	3529.995	23.88	-2	21.88	154.17	1

n77 20M DFT-s-OFDM QPSK(SCS 15 kHz)						
Channel	Frequency (MHz)	Conducted Power (dBm)	Gain (dB)	EIRP (dBm)	EIRP (mW)	Limit (W)
630667	3460.005	23.68	-2	21.68	147.23	1
633334	3500.01	23.89	-2	21.89	154.53	1
636000	3540	23.83	-2	21.83	152.41	1

n77 15M DFT-s-OFDM QPSK(SCS 15 kHz)						
Channel	Frequency (MHz)	Conducted Power (dBm)	Gain (dB)	EIRP (dBm)	EIRP (mW)	Limit (W)
630500	3457.5	23.73	-2	21.73	148.94	1
633334	3500.01	23.83	-2	21.83	152.41	1
636166	3542.49	23.61	-2	21.61	144.88	1

n77 10M DFT-s-OFDM QPSK(SCS 15 kHz)						
Channel	Frequency (MHz)	Conducted Power (dBm)	Gain (dB)	EIRP (dBm)	EIRP (mW)	Limit (W)
630334	3455.01	23.97	-2	21.97	157.4	1
633334	3500.01	23.9	-2	21.9	154.88	1
636333	3544.995	23.86	-2	21.86	153.46	1

n77 50M DFT-s-OFDM Pi/2 BPSK(SCS 15 kHz)						
Channel	Frequency (MHz)	Conducted Power (dBm)	Gain (dB)	EIRP (dBm)	EIRP (mW)	Limit (W)
648334	3725.01	23.86	-2	21.86	153.46	1
656000	3840	23.22	-2	21.22	132.43	1
663666	3954.99	23.7	-2	21.7	147.91	1



Test Report No.: W7L-240618W002RF12

n77 50M DFT-s-OFDM QPSK(SCS 15 kHz)						
Channel	Frequency (MHz)	Conducted Power (dBm)	Gain (dB)	EIRP (dBm)	EIRP (mW)	Limit (W)
648334	3725.01	23.94	-2	21.94	156.31	1
656000	3840	23.37	-2	21.37	137.09	1
663666	3954.99	23.82	-2	21.82	152.05	1

n77 50M DFT-s-OFDM 16QAM(SCS 15 kHz)						
Channel	Frequency (MHz)	Conducted Power (dBm)	Gain (dB)	EIRP (dBm)	EIRP (mW)	Limit (W)
648334	3725.01	22.98	-2	20.98	125.31	1
656000	3840	22.49	-2	20.49	111.94	1
663666	3954.99	22.77	-2	20.77	119.4	1

n77 50M DFT-s-OFDM 64QAM(SCS 15 kHz)						
Channel	Frequency (MHz)	Conducted Power (dBm)	Gain (dB)	EIRP (dBm)	EIRP (mW)	Limit (W)
648334	3725.01	21.86	-2	19.86	96.83	1
656000	3840	21.94	-2	19.94	98.63	1
663666	3954.99	21.61	-2	19.61	91.41	1

n77 50M DFT-s-OFDM 256QAM(SCS 15 kHz)						
Channel	Frequency (MHz)	Conducted Power (dBm)	Gain (dB)	EIRP (dBm)	EIRP (mW)	Limit (W)
648334	3725.01	19.65	-2	17.65	58.21	1
656000	3840	18.99	-2	16.99	50	1
663666	3954.99	19.57	-2	17.57	57.15	1

n77 40M DFT-s-OFDM QPSK(SCS 15 kHz)						
Channel	Frequency (MHz)	Conducted Power (dBm)	Gain (dB)	EIRP (dBm)	EIRP (mW)	Limit (W)
648000	3720	23.79	-2	21.79	151.01	1
656000	3840	23.26	-2	21.26	133.66	1
664000	3960	23.71	-2	21.71	148.25	1

n77 20M DFT-s-OFDM QPSK(SCS 15 kHz)						
Channel	Frequency (MHz)	Conducted Power (dBm)	Gain (dB)	EIRP (dBm)	EIRP (mW)	Limit (W)
647334	3710.01	23.81	-2	21.81	151.71	1
656000	3840	23.45	-2	21.45	139.64	1
664666	3969.99	23.64	-2	21.64	145.88	1

n77 15M DFT-s-OFDM QPSK(SCS 15 kHz)						
Channel	Frequency (MHz)	Conducted Power (dBm)	Gain (dB)	EIRP (dBm)	EIRP (mW)	Limit (W)
647167	3707.505	23.79	-2	21.79	151.01	1
656000	3840	23.14	-2	21.14	130.02	1
664833	3972.495	23.28	-2	21.28	134.28	1

n77 10M DFT-s-OFDM QPSK(SCS 15 kHz)						
Channel	Frequency (MHz)	Conducted Power (dBm)	Gain (dB)	EIRP (dBm)	EIRP (mW)	Limit (W)
647000	3705	23.86	-2	21.86	153.46	1
656000	3840	23.33	-2	21.33	135.83	1
665000	3975	23.78	-2	21.78	150.66	1

n78 50M DFT-s-OFDM Pi/2 BPSK(SCS 15 kHz)						
Channel	Frequency (MHz)	Conducted Power (dBm)	Gain (dB)	EIRP (dBm)	EIRP (mW)	Limit (W)
631667	3475.005	23.85	-2	21.85	153.11	1
633334	3500.01	23.9	-2	21.9	154.88	1
635000	3525	23.89	-2	21.89	154.53	1

n78 50M DFT-s-OFDM QPSK(SCS 15 kHz)						
Channel	Frequency (MHz)	Conducted Power (dBm)	Gain (dB)	EIRP (dBm)	EIRP (mW)	Limit (W)
631667	3475.005	23.94	-2	21.94	156.31	1
633334	3500.01	24.04	-2	22.04	159.96	1
635000	3525	23.99	-2	21.99	158.12	1

n78 50M DFT-s-OFDM 16QAM(SCS 15 kHz)						
Channel	Frequency (MHz)	Conducted Power (dBm)	Gain (dB)	EIRP (dBm)	EIRP (mW)	Limit (W)
631667	3475.005	23.18	-2	21.18	131.22	1
633334	3500.01	23.16	-2	21.16	130.62	1
635000	3525	23.2	-2	21.2	131.83	1

n78 50M DFT-s-OFDM 64QAM(SCS 15 kHz)						
Channel	Frequency (MHz)	Conducted Power (dBm)	Gain (dB)	EIRP (dBm)	EIRP (mW)	Limit (W)
631667	3475.005	21.61	-2	19.61	91.41	1
633334	3500.01	21.65	-2	19.65	92.26	1
635000	3525	21.62	-2	19.62	91.62	1

n78 50M DFT-s-OFDM 256QAM(SCS 15 kHz)						
Channel	Frequency (MHz)	Conducted Power (dBm)	Gain (dB)	EIRP (dBm)	EIRP (mW)	Limit (W)
631667	3475.005	19.6	-2	17.6	57.54	1
633334	3500.01	19.82	-2	17.82	60.53	1
635000	3525	19.62	-2	17.62	57.81	1

n78 40M DFT-s-OFDM QPSK(SCS 15 kHz)						
Channel	Frequency (MHz)	Conducted Power (dBm)	Gain (dB)	EIRP (dBm)	EIRP (mW)	Limit (W)
631334	3470.01	23.75	-2	21.75	149.62	1
633334	3500.01	23.64	-2	21.64	145.88	1
635333	3529.995	23.78	-2	21.78	150.66	1

n78 20M DFT-s-OFDM QPSK(SCS 15 kHz)						
Channel	Frequency (MHz)	Conducted Power (dBm)	Gain (dB)	EIRP (dBm)	EIRP (mW)	Limit (W)
630667	3460.005	23.66	-2	21.66	146.55	1
633334	3500.01	23.72	-2	21.72	148.59	1
636000	3540	23.57	-2	21.57	143.55	1



Test Report No.: W7L-240618W002RF12

n78 15M DFT-s-OFDM QPSK(SCS 15 kHz)						
Channel	Frequency (MHz)	Conducted Power (dBm)	Gain (dB)	EIRP (dBm)	EIRP (mW)	Limit (W)
630500	3457.5	23.81	-2	21.81	151.71	1
633334	3500.01	23.89	-2	21.89	154.53	1
636166	3542.49	23.76	-2	21.76	149.97	1

n78 10M DFT-s-OFDM QPSK(SCS 15 kHz)						
Channel	Frequency (MHz)	Conducted Power (dBm)	Gain (dB)	EIRP (dBm)	EIRP (mW)	Limit (W)
630334	3455.01	23.61	-2	21.61	144.88	1
633334	3500.01	23.75	-2	21.75	149.62	1
636333	3544.995	23.5	-2	21.5	141.25	1



Test Report No.: W7L-240618W002RF12

**ANT 3(UP):**

n41 50M DFT-s-OFDM Pi/2 BPSK(SCS 15 kHz)						
Channel	Frequency (MHz)	Conducted Power (dBm)	Gain (dB)	EIRP (dBm)	EIRP (mW)	Limit (W)
504201	2521.005	21.09	-2.2	18.89	77.45	2
518601	2593.005	21.08	-2.2	18.88	77.27	2
532998	2664.99	20.96	-2.2	18.76	75.16	2

n41 50M DFT-s-OFDM QPSK(SCS 15 kHz)						
Channel	Frequency (MHz)	Conducted Power (dBm)	Gain (dB)	EIRP (dBm)	EIRP (mW)	Limit (W)
504201	2521.005	21.24	-2.2	19.04	80.17	2
518601	2593.005	21.27	-2.2	19.07	80.72	2
532998	2664.99	20.96	-2.2	18.76	75.16	2

n41 50M DFT-s-OFDM 16QAM(SCS 15 kHz)						
Channel	Frequency (MHz)	Conducted Power (dBm)	Gain (dB)	EIRP (dBm)	EIRP (mW)	Limit (W)
504201	2521.005	20.42	-2.2	18.22	66.37	2
518601	2593.005	20.16	-2.2	17.96	62.52	2
532998	2664.99	20.12	-2.2	17.92	61.94	2

n41 50M DFT-s-OFDM 64QAM(SCS 15 kHz)						
Channel	Frequency (MHz)	Conducted Power (dBm)	Gain (dB)	EIRP (dBm)	EIRP (mW)	Limit (W)
504201	2521.005	18.87	-2.2	16.67	46.45	2
518601	2593.005	18.73	-2.2	16.53	44.98	2
532998	2664.99	18.62	-2.2	16.42	43.85	2

n41 50M DFT-s-OFDM 256QAM(SCS 15 kHz)						
Channel	Frequency (MHz)	Conducted Power (dBm)	Gain (dB)	EIRP (dBm)	EIRP (mW)	Limit (W)
504201	2521.005	16.99	-2.2	14.79	30.13	2
518601	2593.005	17.14	-2.2	14.94	31.19	2
532998	2664.99	16.69	-2.2	14.49	28.12	2





Test Report No.: W7L-240618W002RF12

n41 40M DFT-s-OFDM QPSK(SCS 15 kHz)						
Channel	Frequency (MHz)	Conducted Power (dBm)	Gain (dB)	EIRP (dBm)	EIRP (mW)	Limit (W)
503202	2516.01	21.18	-2.2	18.98	79.07	2
518601	2593.005	21.09	-2.2	18.89	77.45	2
534000	2670	20.7	-2.2	18.5	70.79	2

n41 30M DFT-s-OFDM QPSK(SCS 15 kHz)						
Channel	Frequency (MHz)	Conducted Power (dBm)	Gain (dB)	EIRP (dBm)	EIRP (mW)	Limit (W)
502200	2511	21.07	-2.2	18.87	77.09	2
518601	2593.005	21.11	-2.2	18.91	77.8	2
534996	2674.98	20.84	-2.2	18.64	73.11	2

n41 20M DFT-s-OFDM QPSK(SCS 15 kHz)						
Channel	Frequency (MHz)	Conducted Power (dBm)	Gain (dB)	EIRP (dBm)	EIRP (mW)	Limit (W)
501201	2506.005	21.15	-2.2	18.95	78.52	2
518601	2593.005	21.32	-2.2	19.12	81.66	2
535998	2679.99	20.73	-2.2	18.53	71.29	2

n41 15M DFT-s-OFDM QPSK(SCS 15 kHz)						
Channel	Frequency (MHz)	Conducted Power (dBm)	Gain (dB)	EIRP (dBm)	EIRP (mW)	Limit (W)
500700	2503.5	21.25	-2.2	19.05	80.35	2
518601	2593.005	21.32	-2.2	19.12	81.66	2
536499	2682.495	20.99	-2.2	18.79	75.68	2

n41 10M DFT-s-OFDM QPSK(SCS 15 kHz)						
Channel	Frequency (MHz)	Conducted Power (dBm)	Gain (dB)	EIRP (dBm)	EIRP (mW)	Limit (W)
500202	2501.01	21.05	-2.2	18.85	76.74	2
518601	2593.005	21.09	-2.2	18.89	77.45	2
537000	2685	20.82	-2.2	18.62	72.78	2



Test Report No.: W7L-240618W002RF12

n77 50M DFT-s-OFDM Pi/2 BPSK(SCS 15 kHz)						
Channel	Frequency (MHz)	Conducted Power (dBm)	Gain (dB)	EIRP (dBm)	EIRP (mW)	Limit (W)
631667	3475.005	22.05	-1	21.05	127.35	1
633334	3500.01	22.04	-1	21.04	127.06	1
635000	3525	22.01	-1	21.01	126.18	1

n77 50M DFT-s-OFDM QPSK(SCS 15 kHz)						
Channel	Frequency (MHz)	Conducted Power (dBm)	Gain (dB)	EIRP (dBm)	EIRP (mW)	Limit (W)
631667	3475.005	22.09	-1	21.09	128.53	1
633334	3500.01	22.18	-1	21.18	131.22	1
635000	3525	22.11	-1	21.11	129.12	1

n77 50M DFT-s-OFDM 16QAM(SCS 15 kHz)						
Channel	Frequency (MHz)	Conducted Power (dBm)	Gain (dB)	EIRP (dBm)	EIRP (mW)	Limit (W)
631667	3475.005	21.29	-1	20.29	106.91	1
633334	3500.01	21.4	-1	20.4	109.65	1
635000	3525	21.28	-1	20.28	106.66	1

n77 50M DFT-s-OFDM 64QAM(SCS 15 kHz)						
Channel	Frequency (MHz)	Conducted Power (dBm)	Gain (dB)	EIRP (dBm)	EIRP (mW)	Limit (W)
631667	3475.005	19.61	-1	18.61	72.61	1
633334	3500.01	19.81	-1	18.81	76.03	1
635000	3525	19.73	-1	18.73	74.64	1

n77 50M DFT-s-OFDM 256QAM(SCS 15 kHz)						
Channel	Frequency (MHz)	Conducted Power (dBm)	Gain (dB)	EIRP (dBm)	EIRP (mW)	Limit (W)
631667	3475.005	17.65	-1	16.65	46.24	1
633334	3500.01	17.8	-1	16.8	47.86	1
635000	3525	17.96	-1	16.96	49.66	1

n77 40M DFT-s-OFDM QPSK(SCS 15 kHz)						
Channel	Frequency (MHz)	Conducted Power (dBm)	Gain (dB)	EIRP (dBm)	EIRP (mW)	Limit (W)
631334	3470.01	22.05	-1	21.05	127.35	1
633334	3500.01	22.01	-1	21.01	126.18	1
635333	3529.995	21.94	-1	20.94	124.17	1

n77 20M DFT-s-OFDM QPSK(SCS 15 kHz)						
Channel	Frequency (MHz)	Conducted Power (dBm)	Gain (dB)	EIRP (dBm)	EIRP (mW)	Limit (W)
630667	3460.005	21.82	-1	20.82	120.78	1
633334	3500.01	22.11	-1	21.11	129.12	1
636000	3540	22.03	-1	21.03	126.77	1

n77 15M DFT-s-OFDM QPSK(SCS 15 kHz)						
Channel	Frequency (MHz)	Conducted Power (dBm)	Gain (dB)	EIRP (dBm)	EIRP (mW)	Limit (W)
630500	3457.5	21.8	-1	20.8	120.23	1
633334	3500.01	22.07	-1	21.07	127.94	1
636166	3542.49	22.09	-1	21.09	128.53	1

n77 10M DFT-s-OFDM QPSK(SCS 15 kHz)						
Channel	Frequency (MHz)	Conducted Power (dBm)	Gain (dB)	EIRP (dBm)	EIRP (mW)	Limit (W)
630334	3455.01	21.89	-1	20.89	122.74	1
633334	3500.01	21.79	-1	20.79	119.95	1
636333	3544.995	21.82	-1	20.82	120.78	1

n77 50M DFT-s-OFDM Pi/2 BPSK(SCS 15 kHz)						
Channel	Frequency (MHz)	Conducted Power (dBm)	Gain (dB)	EIRP (dBm)	EIRP (mW)	Limit (W)
648334	3725.01	21.98	-1	20.98	125.31	1
656000	3840	21.48	-1	20.48	111.69	1
663666	3954.99	21.24	-1	20.24	105.68	1



Test Report No.: W7L-240618W002RF12

n77 50M DFT-s-OFDM QPSK(SCS 15 kHz)						
Channel	Frequency (MHz)	Conducted Power (dBm)	Gain (dB)	EIRP (dBm)	EIRP (mW)	Limit (W)
648334	3725.01	22.03	-1	21.03	126.77	1
656000	3840	21.51	-1	20.51	112.46	1
663666	3954.99	21.29	-1	20.29	106.91	1

n77 50M DFT-s-OFDM 16QAM(SCS 15 kHz)						
Channel	Frequency (MHz)	Conducted Power (dBm)	Gain (dB)	EIRP (dBm)	EIRP (mW)	Limit (W)
648334	3725.01	21.08	-1	20.08	101.86	1
656000	3840	20.51	-1	19.51	89.33	1
663666	3954.99	20.25	-1	19.25	84.14	1

n77 50M DFT-s-OFDM 64QAM(SCS 15 kHz)						
Channel	Frequency (MHz)	Conducted Power (dBm)	Gain (dB)	EIRP (dBm)	EIRP (mW)	Limit (W)
648334	3725.01	19.97	-1	18.97	78.89	1
656000	3840	19.81	-1	18.81	76.03	1
663666	3954.99	19.72	-1	18.72	74.47	1

n77 50M DFT-s-OFDM 256QAM(SCS 15 kHz)						
Channel	Frequency (MHz)	Conducted Power (dBm)	Gain (dB)	EIRP (dBm)	EIRP (mW)	Limit (W)
648334	3725.01	18.15	-1	17.15	51.88	1
656000	3840	17.92	-1	16.92	49.2	1
663666	3954.99	17.78	-1	16.78	47.64	1

n77 40M DFT-s-OFDM QPSK(SCS 15 kHz)						
Channel	Frequency (MHz)	Conducted Power (dBm)	Gain (dB)	EIRP (dBm)	EIRP (mW)	Limit (W)
648000	3720	21.9	-1	20.9	123.03	1
656000	3840	21.33	-1	20.33	107.89	1
664000	3960	21.21	-1	20.21	104.95	1

n77 20M DFT-s-OFDM QPSK(SCS 15 kHz)						
Channel	Frequency (MHz)	Conducted Power (dBm)	Gain (dB)	EIRP (dBm)	EIRP (mW)	Limit (W)
647334	3710.01	21.8	-1	20.8	120.23	1
656000	3840	21.24	-1	20.24	105.68	1
664666	3969.99	21.26	-1	20.26	106.17	1

n77 15M DFT-s-OFDM QPSK(SCS 15 kHz)						
Channel	Frequency (MHz)	Conducted Power (dBm)	Gain (dB)	EIRP (dBm)	EIRP (mW)	Limit (W)
647167	3707.505	21.97	-1	20.97	125.03	1
656000	3840	21.44	-1	20.44	110.66	1
664833	3972.495	21.14	-1	20.14	103.28	1

n77 10M DFT-s-OFDM QPSK(SCS 15 kHz)						
Channel	Frequency (MHz)	Conducted Power (dBm)	Gain (dB)	EIRP (dBm)	EIRP (mW)	Limit (W)
647000	3705	21.8	-1	20.8	120.23	1
656000	3840	21.27	-1	20.27	106.41	1
665000	3975	21.19	-1	20.19	104.47	1

n78 50M DFT-s-OFDM Pi/2 BPSK(SCS 15 kHz)						
Channel	Frequency (MHz)	Conducted Power (dBm)	Gain (dB)	EIRP (dBm)	EIRP (mW)	Limit (W)
631667	3475.005	21.93	-1	20.93	123.88	1
633334	3500.01	21.97	-1	20.97	125.03	1
635000	3525	21.98	-1	20.98	125.31	1

n78 50M DFT-s-OFDM QPSK(SCS 15 kHz)						
Channel	Frequency (MHz)	Conducted Power (dBm)	Gain (dB)	EIRP (dBm)	EIRP (mW)	Limit (W)
631667	3475.005	22.01	-1	21.01	126.18	1
633334	3500.01	22.07	-1	21.07	127.94	1
635000	3525	22.13	-1	21.13	129.72	1

n78 50M DFT-s-OFDM 16QAM(SCS 15 kHz)						
Channel	Frequency (MHz)	Conducted Power (dBm)	Gain (dB)	EIRP (dBm)	EIRP (mW)	Limit (W)
631667	3475.005	21.18	-1	20.18	104.23	1
633334	3500.01	21.33	-1	20.33	107.89	1
635000	3525	21.22	-1	20.22	105.2	1

n78 50M DFT-s-OFDM 64QAM(SCS 15 kHz)						
Channel	Frequency (MHz)	Conducted Power (dBm)	Gain (dB)	EIRP (dBm)	EIRP (mW)	Limit (W)
631667	3475.005	19.6	-1	18.6	72.44	1
633334	3500.01	19.68	-1	18.68	73.79	1
635000	3525	19.68	-1	18.68	73.79	1

n78 50M DFT-s-OFDM 256QAM(SCS 15 kHz)						
Channel	Frequency (MHz)	Conducted Power (dBm)	Gain (dB)	EIRP (dBm)	EIRP (mW)	Limit (W)
631667	3475.005	17.62	-1	16.62	45.92	1
633334	3500.01	17.67	-1	16.67	46.45	1
635000	3525	17.59	-1	16.59	45.6	1

n78 40M DFT-s-OFDM QPSK(SCS 15 kHz)						
Channel	Frequency (MHz)	Conducted Power (dBm)	Gain (dB)	EIRP (dBm)	EIRP (mW)	Limit (W)
631334	3470.01	21.57	-1	20.57	114.02	1
633334	3500.01	21.66	-1	20.66	116.41	1
635333	3529.995	21.73	-1	20.73	118.3	1

n78 20M DFT-s-OFDM QPSK(SCS 15 kHz)						
Channel	Frequency (MHz)	Conducted Power (dBm)	Gain (dB)	EIRP (dBm)	EIRP (mW)	Limit (W)
630667	3460.005	21.73	-1	20.73	118.3	1
633334	3500.01	21.98	-1	20.98	125.31	1
636000	3540	21.83	-1	20.83	121.06	1



Test Report No.: W7L-240618W002RF12

n78 15M DFT-s-OFDM QPSK(SCS 15 kHz)						
Channel	Frequency (MHz)	Conducted Power (dBm)	Gain (dB)	EIRP (dBm)	EIRP (mW)	Limit (W)
630500	3457.5	21.67	-1	20.67	116.68	1
633334	3500.01	21.76	-1	20.76	119.12	1
636166	3542.49	21.52	-1	20.52	112.72	1

n78 10M DFT-s-OFDM QPSK(SCS 15 kHz)						
Channel	Frequency (MHz)	Conducted Power (dBm)	Gain (dB)	EIRP (dBm)	EIRP (mW)	Limit (W)
630334	3455.01	21.75	-1	20.75	118.85	1
633334	3500.01	21.97	-1	20.97	125.03	1
636333	3544.995	21.92	-1	20.92	123.59	1



Test Report No.: W7L-240618W002RF12

**ANT 5(UP):**

n77 50M DFT-s-OFDM Pi/2 BPSK(SCS 15 kHz)						
Channel	Frequency (MHz)	Conducted Power (dBm)	Gain (dB)	EIRP (dBm)	EIRP (mW)	Limit (W)
631667	3475.005	24.07	1.2	25.27	336.51	1
633334	3500.01	23.91	1.2	25.11	324.34	1
635000	3525	24.27	1.2	25.47	352.37	1

n77 50M DFT-s-OFDM QPSK(SCS 15 kHz)						
Channel	Frequency (MHz)	Conducted Power (dBm)	Gain (dB)	EIRP (dBm)	EIRP (mW)	Limit (W)
631667	3475.005	24.21	1.2	25.41	347.54	1
633334	3500.01	24.03	1.2	25.23	333.43	1
635000	3525	24.31	1.2	25.51	355.63	1

n77 50M DFT-s-OFDM 16QAM(SCS 15 kHz)						
Channel	Frequency (MHz)	Conducted Power (dBm)	Gain (dB)	EIRP (dBm)	EIRP (mW)	Limit (W)
631667	3475.005	23.76	1.2	24.96	313.33	1
633334	3500.01	23.86	1.2	25.06	320.63	1
635000	3525	23.82	1.2	25.02	317.69	1

n77 50M DFT-s-OFDM 64QAM(SCS 15 kHz)						
Channel	Frequency (MHz)	Conducted Power (dBm)	Gain (dB)	EIRP (dBm)	EIRP (mW)	Limit (W)
631667	3475.005	22.15	1.2	23.35	216.27	1
633334	3500.01	22.32	1.2	23.52	224.91	1
635000	3525	22.31	1.2	23.51	224.39	1

n77 50M DFT-s-OFDM 256QAM(SCS 15 kHz)						
Channel	Frequency (MHz)	Conducted Power (dBm)	Gain (dB)	EIRP (dBm)	EIRP (mW)	Limit (W)
631667	3475.005	20.17	1.2	21.37	137.09	1
633334	3500.01	20.26	1.2	21.46	139.96	1
635000	3525	20.23	1.2	21.43	139	1





Test Report No.: W7L-240618W002RF12

n77 40M DFT-s-OFDM QPSK(SCS 15 kHz)						
Channel	Frequency (MHz)	Conducted Power (dBm)	Gain (dB)	EIRP (dBm)	EIRP (mW)	Limit (W)
631334	3470.01	24.17	1.2	25.37	344.35	1
633334	3500.01	23.96	1.2	25.16	328.1	1
635333	3529.995	24.18	1.2	25.38	345.14	1

n77 20M DFT-s-OFDM QPSK(SCS 15 kHz)						
Channel	Frequency (MHz)	Conducted Power (dBm)	Gain (dB)	EIRP (dBm)	EIRP (mW)	Limit (W)
630667	3460.005	24.08	1.2	25.28	337.29	1
633334	3500.01	23.73	1.2	24.93	311.17	1
636000	3540	24.18	1.2	25.38	345.14	1

n77 15M DFT-s-OFDM QPSK(SCS 15 kHz)						
Channel	Frequency (MHz)	Conducted Power (dBm)	Gain (dB)	EIRP (dBm)	EIRP (mW)	Limit (W)
630500	3457.5	23.93	1.2	25.13	325.84	1
633334	3500.01	23.94	1.2	25.14	326.59	1
636166	3542.49	24.07	1.2	25.27	336.51	1

n77 10M DFT-s-OFDM QPSK(SCS 15 kHz)						
Channel	Frequency (MHz)	Conducted Power (dBm)	Gain (dB)	EIRP (dBm)	EIRP (mW)	Limit (W)
630334	3455.01	24.12	1.2	25.32	340.41	1
633334	3500.01	23.92	1.2	25.12	325.09	1
636333	3544.995	24.15	1.2	25.35	342.77	1

n77 50M DFT-s-OFDM Pi/2 BPSK(SCS 15 kHz)						
Channel	Frequency (MHz)	Conducted Power (dBm)	Gain (dB)	EIRP (dBm)	EIRP (mW)	Limit (W)
648334	3725.01	24.02	1.2	25.22	332.66	1
656000	3840	23.94	1.2	25.14	326.59	1
663666	3954.99	24.12	1.2	25.32	340.41	1



Test Report No.: W7L-240618W002RF12

n77 50M DFT-s-OFDM QPSK(SCS 15 kHz)						
Channel	Frequency (MHz)	Conducted Power (dBm)	Gain (dB)	EIRP (dBm)	EIRP (mW)	Limit (W)
648334	3725.01	24.14	1.2	25.34	341.98	1
656000	3840	23.99	1.2	25.19	330.37	1
663666	3954.99	24.18	1.2	25.38	345.14	1

n77 50M DFT-s-OFDM 16QAM(SCS 15 kHz)						
Channel	Frequency (MHz)	Conducted Power (dBm)	Gain (dB)	EIRP (dBm)	EIRP (mW)	Limit (W)
648334	3725.01	23.57	1.2	24.77	299.92	1
656000	3840	23.32	1.2	24.52	283.14	1
663666	3954.99	23.63	1.2	24.83	304.09	1

n77 50M DFT-s-OFDM 64QAM(SCS 15 kHz)						
Channel	Frequency (MHz)	Conducted Power (dBm)	Gain (dB)	EIRP (dBm)	EIRP (mW)	Limit (W)
648334	3725.01	22.07	1.2	23.27	212.32	1
656000	3840	22.23	1.2	23.43	220.29	1
663666	3954.99	22.19	1.2	23.39	218.27	1

n77 50M DFT-s-OFDM 256QAM(SCS 15 kHz)						
Channel	Frequency (MHz)	Conducted Power (dBm)	Gain (dB)	EIRP (dBm)	EIRP (mW)	Limit (W)
648334	3725.01	20.32	1.2	21.52	141.91	1
656000	3840	20.18	1.2	21.38	137.4	1
663666	3954.99	20.27	1.2	21.47	140.28	1

n77 40M DFT-s-OFDM QPSK(SCS 15 kHz)						
Channel	Frequency (MHz)	Conducted Power (dBm)	Gain (dB)	EIRP (dBm)	EIRP (mW)	Limit (W)
648000	3720	23.92	1.2	25.12	325.09	1
656000	3840	23.98	1.2	25.18	329.61	1
664000	3960	23.99	1.2	25.19	330.37	1



Test Report No.: W7L-240618W002RF12

n77 20M DFT-s-OFDM QPSK(SCS 15 kHz)						
Channel	Frequency (MHz)	Conducted Power (dBm)	Gain (dB)	EIRP (dBm)	EIRP (mW)	Limit (W)
647334	3710.01	23.86	1.2	25.06	320.63	1
656000	3840	23.77	1.2	24.97	314.05	1
664666	3969.99	23.88	1.2	25.08	322.11	1

n77 15M DFT-s-OFDM QPSK(SCS 15 kHz)						
Channel	Frequency (MHz)	Conducted Power (dBm)	Gain (dB)	EIRP (dBm)	EIRP (mW)	Limit (W)
647167	3707.505	24.04	1.2	25.24	334.2	1
656000	3840	23.9	1.2	25.1	323.59	1
664833	3972.495	24.1	1.2	25.3	338.84	1

n77 10M DFT-s-OFDM QPSK(SCS 15 kHz)						
Channel	Frequency (MHz)	Conducted Power (dBm)	Gain (dB)	EIRP (dBm)	EIRP (mW)	Limit (W)
647000	3705	24.06	1.2	25.26	335.74	1
656000	3840	23.77	1.2	24.97	314.05	1
665000	3975	24.13	1.2	25.33	341.19	1

n78 50M DFT-s-OFDM Pi/2 BPSK(SCS 15 kHz)						
Channel	Frequency (MHz)	Conducted Power (dBm)	Gain (dB)	EIRP (dBm)	EIRP (mW)	Limit (W)
631667	3475.005	23.99	1.2	25.19	330.37	1
633334	3500.01	24.08	1.2	25.28	337.29	1
635000	3525	24.11	1.2	25.31	339.63	1

n78 50M DFT-s-OFDM QPSK(SCS 15 kHz)						
Channel	Frequency (MHz)	Conducted Power (dBm)	Gain (dB)	EIRP (dBm)	EIRP (mW)	Limit (W)
631667	3475.005	24.07	1.2	25.27	336.51	1
633334	3500.01	24.22	1.2	25.42	348.34	1
635000	3525	24.12	1.2	25.32	340.41	1



Test Report No.: W7L-240618W002RF12

n78 50M DFT-s-OFDM 16QAM(SCS 15 kHz)						
Channel	Frequency (MHz)	Conducted Power (dBm)	Gain (dB)	EIRP (dBm)	EIRP (mW)	Limit (W)
631667	3475.005	23.67	1.2	24.87	306.9	1
633334	3500.01	23.64	1.2	24.84	304.79	1
635000	3525	23.76	1.2	24.96	313.33	1

n78 50M DFT-s-OFDM 64QAM(SCS 15 kHz)						
Channel	Frequency (MHz)	Conducted Power (dBm)	Gain (dB)	EIRP (dBm)	EIRP (mW)	Limit (W)
631667	3475.005	22.07	1.2	23.27	212.32	1
633334	3500.01	22.15	1.2	23.35	216.27	1
635000	3525	22.28	1.2	23.48	222.84	1

n78 50M DFT-s-OFDM 256QAM(SCS 15 kHz)						
Channel	Frequency (MHz)	Conducted Power (dBm)	Gain (dB)	EIRP (dBm)	EIRP (mW)	Limit (W)
631667	3475.005	20.05	1.2	21.25	133.35	1
633334	3500.01	20.19	1.2	21.39	137.72	1
635000	3525	20.21	1.2	21.41	138.36	1

n78 40M DFT-s-OFDM QPSK(SCS 15 kHz)						
Channel	Frequency (MHz)	Conducted Power (dBm)	Gain (dB)	EIRP (dBm)	EIRP (mW)	Limit (W)
631334	3470.01	24	1.2	25.2	331.13	1
633334	3500.01	24.19	1.2	25.39	345.94	1
635333	3529.995	24.02	1.2	25.22	332.66	1

n78 20M DFT-s-OFDM QPSK(SCS 15 kHz)						
Channel	Frequency (MHz)	Conducted Power (dBm)	Gain (dB)	EIRP (dBm)	EIRP (mW)	Limit (W)
630667	3460.005	23.84	1.2	25.04	319.15	1
633334	3500.01	23.82	1.2	25.02	317.69	1
636000	3540	24.04	1.2	25.24	334.2	1



Test Report No.: W7L-240618W002RF12

n78 15M DFT-s-OFDM QPSK(SCS 15 kHz)						
Channel	Frequency (MHz)	Conducted Power (dBm)	Gain (dB)	EIRP (dBm)	EIRP (mW)	Limit (W)
630500	3457.5	23.98	1.2	25.18	329.61	1
633334	3500.01	24.15	1.2	25.35	342.77	1
636166	3542.49	24.09	1.2	25.29	338.06	1

n78 10M DFT-s-OFDM QPSK(SCS 15 kHz)						
Channel	Frequency (MHz)	Conducted Power (dBm)	Gain (dB)	EIRP (dBm)	EIRP (mW)	Limit (W)
630334	3455.01	24.09	1.2	25.29	338.06	1
633334	3500.01	24.12	1.2	25.32	340.41	1
636333	3544.995	24	1.2	25.2	331.13	1

HPUE_n77 50M DFT-s-OFDM Pi/2 BPSK(SCS 15 kHz)						
Channel	Frequency (MHz)	Conducted Power (dBm)	Gain (dB)	EIRP (dBm)	EIRP (mW)	Limit (W)
631667	3475.005	25.98	1.2	27.18	522.4	1
633334	3500.01	25.88	1.2	27.08	510.5	1
635000	3525	26.13	1.2	27.33	540.75	1

HPUE_n77 50M DFT-s-OFDM QPSK(SCS 15 kHz)						
Channel	Frequency (MHz)	Conducted Power (dBm)	Gain (dB)	EIRP (dBm)	EIRP (mW)	Limit (W)
631667	3475.005	26.13	1.2	27.33	540.75	1
633334	3500.01	25.91	1.2	27.11	514.04	1
635000	3525	26.17	1.2	27.37	545.76	1

HPUE_n77 50M DFT-s-OFDM 16QAM(SCS 15 kHz)						
Channel	Frequency (MHz)	Conducted Power (dBm)	Gain (dB)	EIRP (dBm)	EIRP (mW)	Limit (W)
631667	3475.005	25.22	1.2	26.42	438.53	1
633334	3500.01	25.37	1.2	26.57	453.94	1
635000	3525	25.28	1.2	26.48	444.63	1



Test Report No.: W7L-240618W002RF12

HPUE_n77 50M DFT-s-OFDM 64QAM(SCS 15 kHz)						
Channel	Frequency (MHz)	Conducted Power (dBm)	Gain (dB)	EIRP (dBm)	EIRP (mW)	Limit (W)
631667	3475.005	23.67	1.2	24.87	306.9	1
633334	3500.01	23.79	1.2	24.99	315.5	1
635000	3525	23.8	1.2	25	316.23	1

HPUE_n77 50M DFT-s-OFDM 256QAM(SCS 15 kHz)						
Channel	Frequency (MHz)	Conducted Power (dBm)	Gain (dB)	EIRP (dBm)	EIRP (mW)	Limit (W)
631667	3475.005	21.65	1.2	22.85	192.75	1
633334	3500.01	21.68	1.2	22.88	194.09	1
635000	3525	21.78	1.2	22.98	198.61	1

HPUE_n77 40M DFT-s-OFDM QPSK(SCS 15 kHz)						
Channel	Frequency (MHz)	Conducted Power (dBm)	Gain (dB)	EIRP (dBm)	EIRP (mW)	Limit (W)
631334	3470.01	25.82	1.2	27.02	503.5	1
633334	3500.01	25.79	1.2	26.99	500.03	1
635333	3529.995	25.84	1.2	27.04	505.82	1

HPUE_n77 20M DFT-s-OFDM QPSK(SCS 15 kHz)						
Channel	Frequency (MHz)	Conducted Power (dBm)	Gain (dB)	EIRP (dBm)	EIRP (mW)	Limit (W)
630667	3460.005	25.65	1.2	26.85	484.17	1
633334	3500.01	25.54	1.2	26.74	472.06	1
636000	3540	25.85	1.2	27.05	506.99	1

HPUE_n77 15M DFT-s-OFDM QPSK(SCS 15 kHz)						
Channel	Frequency (MHz)	Conducted Power (dBm)	Gain (dB)	EIRP (dBm)	EIRP (mW)	Limit (W)
630500	3457.5	25.83	1.2	27.03	504.66	1
633334	3500.01	25.47	1.2	26.67	464.52	1
636166	3542.49	25.58	1.2	26.78	476.43	1



Test Report No.: W7L-240618W002RF12

HPUE_n77 10M DFT-s-OFDM QPSK(SCS 15 kHz)						
Channel	Frequency (MHz)	Conducted Power (dBm)	Gain (dB)	EIRP (dBm)	EIRP (mW)	Limit (W)
630334	3455.01	25.69	1.2	26.89	488.65	1
633334	3500.01	25.95	1.2	27.15	518.8	1
636333	3544.995	25.75	1.2	26.95	495.45	1

HPUE_n77 50M DFT-s-OFDM Pi/2 BPSK(SCS 15 kHz)						
Channel	Frequency (MHz)	Conducted Power (dBm)	Gain (dB)	EIRP (dBm)	EIRP (mW)	Limit (W)
648334	3725.01	25.95	1.2	27.15	518.8	1
656000	3840	25.67	1.2	26.87	486.41	1
663666	3954.99	26.06	1.2	27.26	532.11	1

HPUE_n77 50M DFT-s-OFDM QPSK(SCS 15 kHz)						
Channel	Frequency (MHz)	Conducted Power (dBm)	Gain (dB)	EIRP (dBm)	EIRP (mW)	Limit (W)
648334	3725.01	26.07	1.2	27.27	533.33	1
656000	3840	25.74	1.2	26.94	494.31	1
663666	3954.99	26.1	1.2	27.3	537.03	1

HPUE_n77 50M DFT-s-OFDM 16QAM(SCS 15 kHz)						
Channel	Frequency (MHz)	Conducted Power (dBm)	Gain (dB)	EIRP (dBm)	EIRP (mW)	Limit (W)
648334	3725.01	25.14	1.2	26.34	430.53	1
656000	3840	24.83	1.2	26.03	400.87	1
663666	3954.99	25.11	1.2	26.31	427.56	1

HPUE_n77 50M DFT-s-OFDM 64QAM(SCS 15 kHz)						
Channel	Frequency (MHz)	Conducted Power (dBm)	Gain (dB)	EIRP (dBm)	EIRP (mW)	Limit (W)
648334	3725.01	23.53	1.2	24.73	297.17	1
656000	3840	23.67	1.2	24.87	306.9	1
663666	3954.99	23.88	1.2	25.08	322.11	1



Test Report No.: W7L-240618W002RF12

HPUE_n77 50M DFT-s-OFDM 256QAM(SCS 15 kHz)						
Channel	Frequency (MHz)	Conducted Power (dBm)	Gain (dB)	EIRP (dBm)	EIRP (mW)	Limit (W)
648334	3725.01	21.67	1.2	22.87	193.64	1
656000	3840	21.59	1.2	22.79	190.11	1
663666	3954.99	21.68	1.2	22.88	194.09	1

HPUE_n77 40M DFT-s-OFDM QPSK(SCS 15 kHz)						
Channel	Frequency (MHz)	Conducted Power (dBm)	Gain (dB)	EIRP (dBm)	EIRP (mW)	Limit (W)
648000	3720	25.72	1.2	26.92	492.04	1
656000	3840	25.4	1.2	26.6	457.09	1
664000	3960	25.67	1.2	26.87	486.41	1

HPUE_n77 20M DFT-s-OFDM QPSK(SCS 15 kHz)						
Channel	Frequency (MHz)	Conducted Power (dBm)	Gain (dB)	EIRP (dBm)	EIRP (mW)	Limit (W)
647334	3710.01	25.96	1.2	27.16	520	1
656000	3840	25.58	1.2	26.78	476.43	1
664666	3969.99	25.99	1.2	27.19	523.6	1

HPUE_n77 15M DFT-s-OFDM QPSK(SCS 15 kHz)						
Channel	Frequency (MHz)	Conducted Power (dBm)	Gain (dB)	EIRP (dBm)	EIRP (mW)	Limit (W)
647167	3707.505	25.93	1.2	27.13	516.42	1
656000	3840	25.59	1.2	26.79	477.53	1
664833	3972.495	26.03	1.2	27.23	528.45	1

HPUE_n77 10M DFT-s-OFDM QPSK(SCS 15 kHz)						
Channel	Frequency (MHz)	Conducted Power (dBm)	Gain (dB)	EIRP (dBm)	EIRP (mW)	Limit (W)
647000	3705	25.74	1.2	26.94	494.31	1
656000	3840	25.5	1.2	26.7	467.74	1
665000	3975	25.65	1.2	26.85	484.17	1





Test Report No.: W7L-240618W002RF12

HPUE_n78 50M DFT-s-OFDM Pi/2 BPSK(SCS 15 kHz)						
Channel	Frequency (MHz)	Conducted Power (dBm)	Gain (dB)	EIRP (dBm)	EIRP (mW)	Limit (W)
631667	3475.005	26.05	1.2	27.25	530.88	1
633334	3500.01	26.02	1.2	27.22	527.23	1
635000	3525	25.91	1.2	27.11	514.04	1

HPUE_n78 50M DFT-s-OFDM QPSK(SCS 15 kHz)						
Channel	Frequency (MHz)	Conducted Power (dBm)	Gain (dB)	EIRP (dBm)	EIRP (mW)	Limit (W)
631667	3475.005	26.12	1.2	27.32	539.51	1
633334	3500.01	26.14	1.2	27.34	542	1
635000	3525	26.02	1.2	27.22	527.23	1

HPUE_n78 50M DFT-s-OFDM 16QAM(SCS 15 kHz)						
Channel	Frequency (MHz)	Conducted Power (dBm)	Gain (dB)	EIRP (dBm)	EIRP (mW)	Limit (W)
631667	3475.005	25.16	1.2	26.36	432.51	1
633334	3500.01	25.28	1.2	26.48	444.63	1
635000	3525	25.27	1.2	26.47	443.61	1

HPUE_n78 50M DFT-s-OFDM 64QAM(SCS 15 kHz)						
Channel	Frequency (MHz)	Conducted Power (dBm)	Gain (dB)	EIRP (dBm)	EIRP (mW)	Limit (W)
631667	3475.005	23.72	1.2	24.92	310.46	1
633334	3500.01	23.59	1.2	24.79	301.3	1
635000	3525	23.69	1.2	24.89	308.32	1

HPUE_n78 50M DFT-s-OFDM 256QAM(SCS 15 kHz)						
Channel	Frequency (MHz)	Conducted Power (dBm)	Gain (dB)	EIRP (dBm)	EIRP (mW)	Limit (W)
631667	3475.005	21.77	1.2	22.97	198.15	1
633334	3500.01	21.67	1.2	22.87	193.64	1
635000	3525	21.65	1.2	22.85	192.75	1



Test Report No.: W7L-240618W002RF12

HPUE_n78 40M DFT-s-OFDM QPSK(SCS 15 kHz)						
Channel	Frequency (MHz)	Conducted Power (dBm)	Gain (dB)	EIRP (dBm)	EIRP (mW)	Limit (W)
631334	3470.01	26.02	1.2	27.22	527.23	1
633334	3500.01	25.95	1.2	27.15	518.8	1
635333	3529.995	25.86	1.2	27.06	508.16	1

HPUE_n78 20M DFT-s-OFDM QPSK(SCS 15 kHz)						
Channel	Frequency (MHz)	Conducted Power (dBm)	Gain (dB)	EIRP (dBm)	EIRP (mW)	Limit (W)
630667	3460.005	25.98	1.2	27.18	522.4	1
633334	3500.01	26.01	1.2	27.21	526.02	1
636000	3540	26	1.2	27.2	524.81	1

HPUE_n78 15M DFT-s-OFDM QPSK(SCS 15 kHz)						
Channel	Frequency (MHz)	Conducted Power (dBm)	Gain (dB)	EIRP (dBm)	EIRP (mW)	Limit (W)
630500	3457.5	25.8	1.2	27	501.19	1
633334	3500.01	25.92	1.2	27.12	515.23	1
636166	3542.49	25.82	1.2	27.02	503.5	1

HPUE_n78 10M DFT-s-OFDM QPSK(SCS 15 kHz)						
Channel	Frequency (MHz)	Conducted Power (dBm)	Gain (dB)	EIRP (dBm)	EIRP (mW)	Limit (W)
630334	3455.01	26.07	1.2	27.27	533.33	1
633334	3500.01	25.94	1.2	27.14	517.61	1
636333	3544.995	25.89	1.2	27.09	511.68	1

**ANT 7(UP):**

n77 50M DFT-s-OFDM Pi/2 BPSK(SCS 15 kHz)						
Channel	Frequency (MHz)	Conducted Power (dBm)	Gain (dB)	EIRP (dBm)	EIRP (mW)	Limit (W)
631667	3475.005	24.06	0.6	24.66	292.42	1
633334	3500.01	24.38	0.6	24.98	314.77	1
635000	3525	24.36	0.6	24.96	313.33	1

n77 50M DFT-s-OFDM QPSK(SCS 15 kHz)						
Channel	Frequency (MHz)	Conducted Power (dBm)	Gain (dB)	EIRP (dBm)	EIRP (mW)	Limit (W)
631667	3475.005	24.1	0.6	24.7	295.12	1
633334	3500.01	24.45	0.6	25.05	319.89	1
635000	3525	24.41	0.6	25.01	316.96	1

n77 50M DFT-s-OFDM 16QAM(SCS 15 kHz)						
Channel	Frequency (MHz)	Conducted Power (dBm)	Gain (dB)	EIRP (dBm)	EIRP (mW)	Limit (W)
631667	3475.005	23.36	0.6	23.96	248.89	1
633334	3500.01	23.74	0.6	24.34	271.64	1
635000	3525	23.57	0.6	24.17	261.22	1

n77 50M DFT-s-OFDM 64QAM(SCS 15 kHz)						
Channel	Frequency (MHz)	Conducted Power (dBm)	Gain (dB)	EIRP (dBm)	EIRP (mW)	Limit (W)
631667	3475.005	22.08	0.6	22.68	185.35	1
633334	3500.01	22.15	0.6	22.75	188.36	1
635000	3525	22.04	0.6	22.64	183.65	1

n77 50M DFT-s-OFDM 256QAM(SCS 15 kHz)						
Channel	Frequency (MHz)	Conducted Power (dBm)	Gain (dB)	EIRP (dBm)	EIRP (mW)	Limit (W)
631667	3475.005	20.12	0.6	20.72	118.03	1
633334	3500.01	20.08	0.6	20.68	116.95	1
635000	3525	20.1	0.6	20.7	117.49	1



Test Report No.: W7L-240618W002RF12

n77 40M DFT-s-OFDM QPSK(SCS 15 kHz)						
Channel	Frequency (MHz)	Conducted Power (dBm)	Gain (dB)	EIRP (dBm)	EIRP (mW)	Limit (W)
631334	3470.01	24.03	0.6	24.63	290.4	1
633334	3500.01	24.19	0.6	24.79	301.3	1
635333	3529.995	24.33	0.6	24.93	311.17	1

n77 20M DFT-s-OFDM QPSK(SCS 15 kHz)						
Channel	Frequency (MHz)	Conducted Power (dBm)	Gain (dB)	EIRP (dBm)	EIRP (mW)	Limit (W)
630667	3460.005	24.06	0.6	24.66	292.42	1
633334	3500.01	24.38	0.6	24.98	314.77	1
636000	3540	24.35	0.6	24.95	312.61	1

n77 15M DFT-s-OFDM QPSK(SCS 15 kHz)						
Channel	Frequency (MHz)	Conducted Power (dBm)	Gain (dB)	EIRP (dBm)	EIRP (mW)	Limit (W)
630500	3457.5	23.96	0.6	24.56	285.76	1
633334	3500.01	24.37	0.6	24.97	314.05	1
636166	3542.49	24.36	0.6	24.96	313.33	1

n77 10M DFT-s-OFDM QPSK(SCS 15 kHz)						
Channel	Frequency (MHz)	Conducted Power (dBm)	Gain (dB)	EIRP (dBm)	EIRP (mW)	Limit (W)
630334	3455.01	23.91	0.6	24.51	282.49	1
633334	3500.01	24.24	0.6	24.84	304.79	1
636333	3544.995	24.35	0.6	24.95	312.61	1

n77 50M DFT-s-OFDM Pi/2 BPSK(SCS 15 kHz)						
Channel	Frequency (MHz)	Conducted Power (dBm)	Gain (dB)	EIRP (dBm)	EIRP (mW)	Limit (W)
648334	3725.01	24.74	0.6	25.34	341.98	1
656000	3840	24.56	0.6	25.16	328.1	1
663666	3954.99	24.88	0.6	25.48	353.18	1



Test Report No.: W7L-240618W002RF12

n77 50M DFT-s-OFDM QPSK(SCS 15 kHz)						
Channel	Frequency (MHz)	Conducted Power (dBm)	Gain (dB)	EIRP (dBm)	EIRP (mW)	Limit (W)
648334	3725.01	24.81	0.6	25.41	347.54	1
656000	3840	24.67	0.6	25.27	336.51	1
663666	3954.99	24.91	0.6	25.51	355.63	1

n77 50M DFT-s-OFDM 16QAM(SCS 15 kHz)						
Channel	Frequency (MHz)	Conducted Power (dBm)	Gain (dB)	EIRP (dBm)	EIRP (mW)	Limit (W)
648334	3725.01	23.81	0.6	24.41	276.06	1
656000	3840	23.52	0.6	24.12	258.23	1
663666	3954.99	24	0.6	24.6	288.4	1

n77 50M DFT-s-OFDM 64QAM(SCS 15 kHz)						
Channel	Frequency (MHz)	Conducted Power (dBm)	Gain (dB)	EIRP (dBm)	EIRP (mW)	Limit (W)
648334	3725.01	22.42	0.6	23.02	200.45	1
656000	3840	22.26	0.6	22.86	193.2	1
663666	3954.99	22.38	0.6	22.98	198.61	1

n77 50M DFT-s-OFDM 256QAM(SCS 15 kHz)						
Channel	Frequency (MHz)	Conducted Power (dBm)	Gain (dB)	EIRP (dBm)	EIRP (mW)	Limit (W)
648334	3725.01	20.36	0.6	20.96	124.74	1
656000	3840	20.28	0.6	20.88	122.46	1
663666	3954.99	20.45	0.6	21.05	127.35	1

n77 40M DFT-s-OFDM QPSK(SCS 15 kHz)						
Channel	Frequency (MHz)	Conducted Power (dBm)	Gain (dB)	EIRP (dBm)	EIRP (mW)	Limit (W)
648000	3720	24.72	0.6	25.32	340.41	1
656000	3840	24.46	0.6	25.06	320.63	1
664000	3960	24.83	0.6	25.43	349.14	1



Test Report No.: W7L-240618W002RF12

n77 20M DFT-s-OFDM QPSK(SCS 15 kHz)						
Channel	Frequency (MHz)	Conducted Power (dBm)	Gain (dB)	EIRP (dBm)	EIRP (mW)	Limit (W)
647334	3710.01	24.67	0.6	25.27	336.51	1
656000	3840	24.56	0.6	25.16	328.1	1
664666	3969.99	24.79	0.6	25.39	345.94	1

n77 15M DFT-s-OFDM QPSK(SCS 15 kHz)						
Channel	Frequency (MHz)	Conducted Power (dBm)	Gain (dB)	EIRP (dBm)	EIRP (mW)	Limit (W)
647167	3707.505	24.77	0.6	25.37	344.35	1
656000	3840	24.54	0.6	25.14	326.59	1
664833	3972.495	24.76	0.6	25.36	343.56	1

n77 10M DFT-s-OFDM QPSK(SCS 15 kHz)						
Channel	Frequency (MHz)	Conducted Power (dBm)	Gain (dB)	EIRP (dBm)	EIRP (mW)	Limit (W)
647000	3705	24.74	0.6	25.34	341.98	1
656000	3840	24.63	0.6	25.23	333.43	1
665000	3975	24.69	0.6	25.29	338.06	1

n78 50M DFT-s-OFDM Pi/2 BPSK(SCS 15 kHz)						
Channel	Frequency (MHz)	Conducted Power (dBm)	Gain (dB)	EIRP (dBm)	EIRP (mW)	Limit (W)
631667	3475.005	24.103	0.6	24.703	295.32	1
633334	3500.01	24.39	0.6	24.99	315.5	1
635000	3525	24.4	0.6	25	316.23	1

n78 50M DFT-s-OFDM QPSK(SCS 15 kHz)						
Channel	Frequency (MHz)	Conducted Power (dBm)	Gain (dB)	EIRP (dBm)	EIRP (mW)	Limit (W)
631667	3475.005	24.233	0.6	24.833	304.3	1
633334	3500.01	24.45	0.6	25.05	319.89	1
635000	3525	24.48	0.6	25.08	322.11	1



Test Report No.: W7L-240618W002RF12

n78 50M DFT-s-OFDM 16QAM(SCS 15 kHz)						
Channel	Frequency (MHz)	Conducted Power (dBm)	Gain (dB)	EIRP (dBm)	EIRP (mW)	Limit (W)
631667	3475.005	23.36	0.6	23.96	248.89	1
633334	3500.01	23.58	0.6	24.18	261.82	1
635000	3525	23.61	0.6	24.21	263.63	1

n78 50M DFT-s-OFDM 64QAM(SCS 15 kHz)						
Channel	Frequency (MHz)	Conducted Power (dBm)	Gain (dB)	EIRP (dBm)	EIRP (mW)	Limit (W)
631667	3475.005	22.13	0.6	22.73	187.5	1
633334	3500.01	22.21	0.6	22.81	190.99	1
635000	3525	22.12	0.6	22.72	187.07	1

n78 50M DFT-s-OFDM 256QAM(SCS 15 kHz)						
Channel	Frequency (MHz)	Conducted Power (dBm)	Gain (dB)	EIRP (dBm)	EIRP (mW)	Limit (W)
631667	3475.005	20.09	0.6	20.69	117.22	1
633334	3500.01	20.14	0.6	20.74	118.58	1
635000	3525	20.1	0.6	20.7	117.49	1

n78 40M DFT-s-OFDM QPSK(SCS 15 kHz)						
Channel	Frequency (MHz)	Conducted Power (dBm)	Gain (dB)	EIRP (dBm)	EIRP (mW)	Limit (W)
631334	3470.01	23.95	0.6	24.55	285.1	1
633334	3500.01	24.21	0.6	24.81	302.69	1
635333	3529.995	24.23	0.6	24.83	304.09	1

n78 20M DFT-s-OFDM QPSK(SCS 15 kHz)						
Channel	Frequency (MHz)	Conducted Power (dBm)	Gain (dB)	EIRP (dBm)	EIRP (mW)	Limit (W)
630667	3460.005	24.093	0.6	24.693	294.65	1
633334	3500.01	24.32	0.6	24.92	310.46	1
636000	3540	24.4	0.6	25	316.23	1



Test Report No.: W7L-240618W002RF12

n78 15M DFT-s-OFDM QPSK(SCS 15 kHz)						
Channel	Frequency (MHz)	Conducted Power (dBm)	Gain (dB)	EIRP (dBm)	EIRP (mW)	Limit (W)
630500	3457.5	23.98	0.6	24.58	287.08	1
633334	3500.01	24.19	0.6	24.79	301.3	1
636166	3542.49	24.18	0.6	24.78	300.61	1

n78 10M DFT-s-OFDM QPSK(SCS 15 kHz)						
Channel	Frequency (MHz)	Conducted Power (dBm)	Gain (dB)	EIRP (dBm)	EIRP (mW)	Limit (W)
630334	3455.01	24.04	0.6	24.64	291.07	1
633334	3500.01	24.2	0.6	24.8	302	1
636333	3544.995	24.18	0.6	24.78	300.61	1



## 3.2 FREQUENCY STABILITY MEASUREMENT

### 3.2.1 LIMITS OF FREQUENCY STABILITY MEASUREMENT

The frequency stability shall be sufficient to ensure that the fundamental emissions stay within the authorized bands of operation.

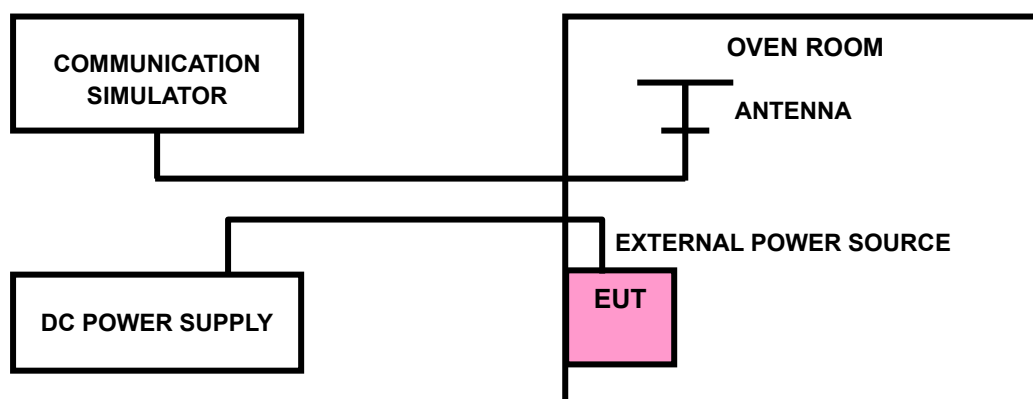
The frequency stability of mobile, portable and control transmitters operating in the wideband segment must be 1.25 parts per million or better when AFC is locked to a base station, and 5 parts per million or better when AFC is not locked

### 3.2.2 TEST PROCEDURE

- a. Device is placed at the oven room. The oven room could control the temperatures and humidity. Power warm up is at least 15 min and power applied should perform before recording frequency error.
- b. EUT is connected the external power supply to control the DC input power. The test voltage range is from minimum to maximum working voltage. Each step shall be record the frequency error rate.
- c. The temperature range step is 10 degrees in this test items. All temperature levels shall be hold the  $\pm 0.5^{\circ}\text{C}$  during the measurement testing. The each temperature step shall be at least 0.5 hours, consider the EUT could be test under the stability condition.

**NOTE:** The frequency error was recorded frequency error from the communication simulator.

### 3.2.3 TEST SETUP





Test Report No.: W7L-240618W002RF12

### 3.2.4 TEST RESULTS

Please Refer to Appendix.

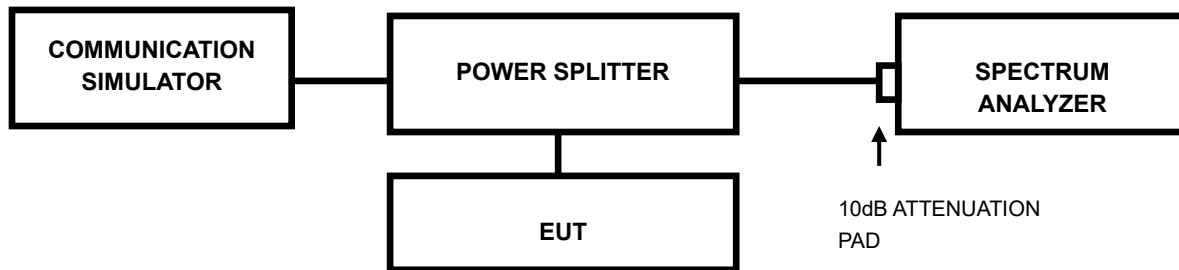
Note: VL = Low voltage(3.7V); VN/NV = Normal voltage(3.91V); VH = High voltage(4.3V);  
NT = Normal temperature (25°C)

### 3.3 OCCUPIED BANDWIDTH MEASUREMENT

#### 3.3.1 LIMITS OF OCCUPIED BANDWIDTH MEASUREMENT

The width of a frequency band such that, below the lower and above the upper frequency limits, the mean powers emitted are each equal to a specified percentage 0.5 % of the total mean power of a given emission.

#### 3.3.2 TEST SETUP



#### 3.3.3 TEST PROCEDURES

- The conducted occupied bandwidth used the power splitter via EUT RF power connector between simulation base station and spectrum analyzer.
- Use OBW measurement function of Spectrum analyzer to measure 99 % occupied bandwidth.



Test Report No.: W7L-240618W002RF12

### 3.3.4 TEST RESULTS

Please Refer to Appendix.



### 3.4 BAND EDGE MEASUREMENT

#### 3.4.1 LIMITS OF BAND EDGE MEASUREMENT

Power of any emission outside of the authorized operating frequency ranges must be attenuated below the transmitting power (P) by a factor of at least  $43 + 10 \log(P)$  dB. In the 1 MHz bands immediately outside and adjacent to the frequency block a resolution bandwidth of at least one percent of the emission bandwidth of the fundamental emission of the transmitter may be employed.(n2/n5/n25/n66)

According to FCC 27.53(g) specified that For operations in the 600 MHz band and the 698-746 MHz band, the power of any emission outside a licensee's frequency band(s) of operation shall be attenuated below the transmitter power (P) within the licensed band(s) of operation, measured in watts, by at least  $43 + 10 \log(P)$  dB. However, in the 100 kilohertz bands immediately outside and adjacent to a licensee's frequency block, a resolution bandwidth of at least 30 kHz may be employed. (n12/ n71)

According to FCC 27.53(m)(4) specified that For mobile digital stations, the attenuation factor shall be not less than  $40 + 10 \log(P)$  dB on all frequencies between the channel edge and 5 megahertz from the channel edge,  $43 + 10 \log(P)$  dB on all frequencies between 5 megahertz and X megahertz from the channel edge, and  $55 + 10 \log(P)$  dB on all frequencies more than X megahertz from the channel edge, where X is the greater of 6 megahertz or the actual emission bandwidth as defined in paragraph (m)(6) of this section. In addition, the attenuation factor shall not be less that  $43 + 10 \log(P)$  dB on all frequencies between 2490.5 MHz and 2496 MHz and  $55 + 10 \log(P)$  dB at or below 2490.5 MHz. Mobile Satellite Service licensees operating on frequencies below 2495 MHz may also submit a documented interference complaint against BRS licensees operating on channel BRS Channel 1 on the same terms and conditions as adjacent channel BRS or EBS licensees. For mobile digital stations, in the 1 megahertz bands immediately outside and adjacent to the frequency block a resolution bandwidth of at least two percent may be employed.(n7/n41)

(i) By a factor of not less than:  $43 + 10 \log(P)$  dB on all frequencies between 2305 and 2320 MHz and on all frequencies between 2345 and 2360 MHz that are outside the licensed band(s) of operation, not less than  $55 + 10 \log(P)$  dB on all frequencies between 2320 and 2324 MHz and on all frequencies between 2341 and 2345 MHz, not less than  $61 + 10 \log(P)$  dB on all frequencies between 2324 and 2328 MHz and on all frequencies between 2337 and 2341 MHz, and not less than  $67 + 10 \log(P)$  dB on all frequencies between 2328 and 2337 MHz;

(ii) By a factor of not less than  $43 + 10 \log(P)$  dB on all frequencies between 2300 and 2305 MHz,  $55 + 10 \log(P)$  dB on all frequencies between 2296 and 2300 MHz,  $61 + 10 \log(P)$  dB on all frequencies between 2292 and 2296 MHz,  $67 + 10 \log(P)$  dB on all frequencies between 2288 and 2292 MHz, and  $70 + 10 \log(P)$  dB below 2288 MHz;

(iii) By a factor of not less than  $43 + 10 \log(P)$  dB on all frequencies between 2360 and 2365 MHz, and not less than  $70 + 10 \log(P)$  dB above 2365 MHz.



**BUREAU  
VERITAS**

**Test Report No.: W7L-240618W002RF12**

According to FCC 27.53(l)(2) specified that For mobile operations in the 3700-3980 MHz band, the conducted power of any emission outside the licensee's authorized bandwidth shall not exceed  $-13$  dBm/MHz. Compliance with this paragraph (l)(2) is based on the use of measurement instrumentation employing a resolution bandwidth of 1 megahertz or greater. However, in the 1 megahertz bands immediately outside and adjacent to the licensee's frequency block, the minimum resolution bandwidth for the measurement shall be either one percent of the emission bandwidth of the fundamental emission of the transmitter or 350 kHz. In the bands between 1 and 5 MHz removed from the licensee's frequency block, the minimum resolution bandwidth for the measurement shall be 500 kHz.(n77/n78)

According to FCC 27.53(n)(2) specified that For mobile operations in the 3450-3550 MHz band, the conducted power of any emission outside the licensee's authorized bandwidth shall not exceed  $-13$  dBm/MHz. Compliance with this paragraph (n)(2) is based on the use of measurement instrumentation employing a resolution bandwidth of 1 megahertz or greater. However, in the 1 megahertz bands immediately outside and adjacent to the licensee's frequency block, a resolution bandwidth of at least one percent of the emission bandwidth of the fundamental emission of the transmitter may be employed, but limited to a maximum of 200 kHz. In the bands between 1 and 5 MHz removed from the licensee's frequency block, the minimum resolution bandwidth for the measurement shall be 500 kHz. The emission bandwidth is defined as the width of the signal between two points, one below the carrier center frequency and one above the carrier center frequency, outside of which all emissions are attenuated at least 26 dB below the transmitter power.



**BUREAU  
VERITAS**

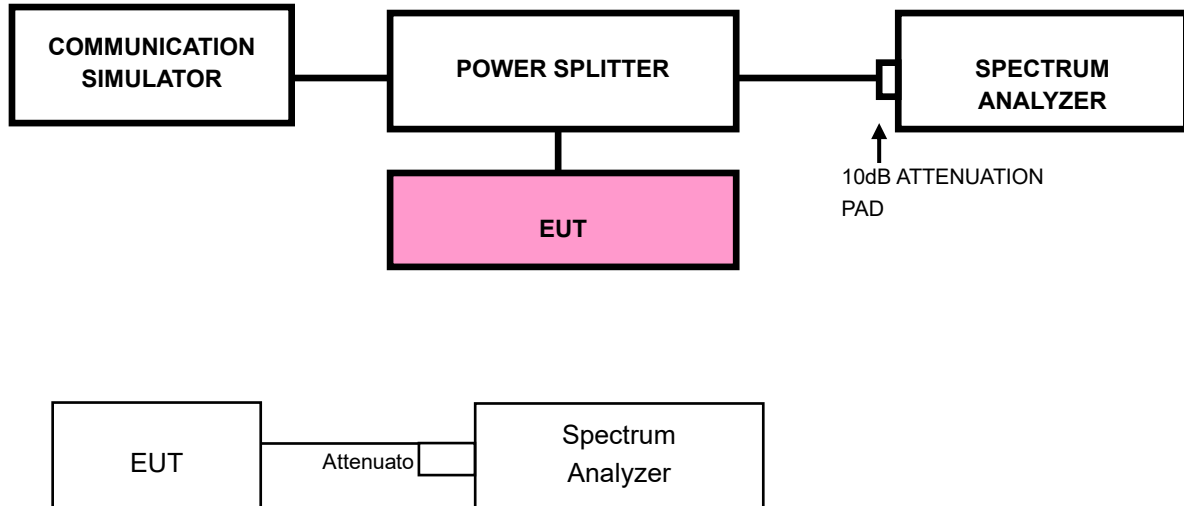
**Test Report No.: W7L-240618W002RF12**

**N26:**

According to FCC part 90.691 shall be tested the emission mask. For any frequency removed from the EA licensee's frequency block by up to and including 37.5 kHz, the power of any emission shall be attenuated below the transmitter power (P) in watts by at least  $116 \text{ Log}_{10}(f/6.1)$  decibels or  $50 + 10 \text{ Log}_{10}(P)$  decibels or 80 decibels, whichever is the lesser attenuation, where f is the frequency removed from the center of the outer channel in the block in kilohertz and where f is greater than 12.5 kHz.

For any frequency removed from the EA licensee's frequency block greater than 37.5 kHz, the power of any emission shall be attenuated below the transmitter power (P) in watts by at least  $43 + 10 \text{ Log}_{10}(P)$  decibels or 80 decibels, whichever is the lesser attenuation, where f is the frequency removed from the center of the outer channel in the block in kilohertz and where f is greater than 37.5 kHz.

### 3.4.2 TEST SETUP







Test Report No.: W7L-240618W002RF12

### 3.4.3 TEST PROCEDURES

- a) Connect the transmitter to the spectrum analyzer via coaxial cable while ensuring proper impedance matching.
- b) Tune the analyzer to the nominal center frequency of the emission bandwidth (EBW).
- c) Set the resolution bandwidth (RBW)  $\geq 1\%$  EBW in the 1MHz band immediately outside and adjacent to the band edge.
- d) Beyond the 1MHz band from the band edge, RBW=1MHz was used.
- e) Set the video bandwidth (VBW) to  $\geq 3 \times$  RBW.
- f) Select the average power (RMS) display detector.
- g) Set the number of measurement points to  $\geq 1001$ .
- h) Use auto-coupled sweep time.
- i) Perform the measurement over an interval of time when the transmission is continuous and at its maximum power level.
- j) The RF fundamental frequency should be excluded against the limit line in the operating frequency band and use RBW is 10KHz or 100KHz.
- k) Record the max trace plot into the test report.



Test Report No.: W7L-240618W002RF12

#### 3.4.4 TEST RESULTS

Please Refer to Appendix.



Test Report No.: W7L-240618W002RF12

### 3.5 CONDUCTED SPURIOUS EMISSIONS

#### 3.5.1 LIMITS OF CONDUCTED SPURIOUS EMISSIONS MEASUREMENT

The power of any emission outside a licensee's frequency block shall be attenuated below the transmitter power (P) by at least  $43 + 10 \log_{10}(P)$  dB. The limit of emission is equal to -13dBm.

For 5G NR n41:

The power of any emission outside a licensee's frequency block shall be attenuated below the transmitter power (P) by at least  $55 + 10 \log_{10}(P)$  dB. The limit of emission is equal to -25dBm.

N26

47 CFR 90.691(a)(2)

or any frequency removed from the EA licensee's frequency block greater than 37.5 kHz, the power of any emission shall be attenuated below the transmitter power (P) in watts by at least  $43 + 10 \log_{10}(P)$  decibels or 80 decibels, whichever is the lesser attenuation, where f is the frequency removed from the center of the outer channel in the block in kilohertz and where f is greater than 37.5 kHz.

### 3.5.2 TEST PROCEDURE

- a. The EUT makes a phone call to the communication simulator. All measurements were done at low, middle and high operational frequency range.
- b. Measuring frequency range is from 9kHz up to a frequency including its 10<sup>th</sup> harmonic. 10dB attenuation pad is connected with spectrum. RBW=1MHz and VBW=3MHz is used for conducted emission measurement.

### 3.5.3 TEST SETUP

