

### System Check\_Head\_750MHz

**DUT: D750V3 - SN:1087**

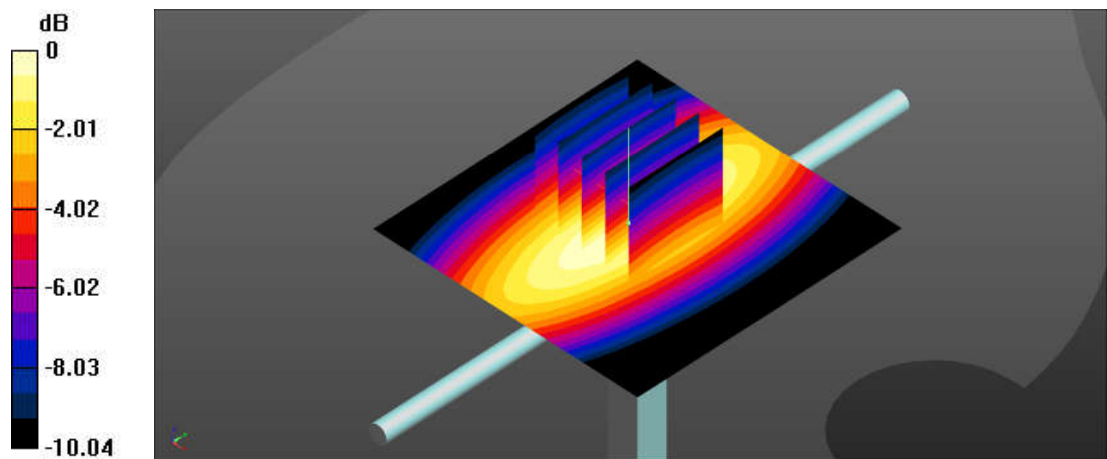
Communication System: UID 0, CW (0); Frequency: 750 MHz; Duty Cycle: 1:1  
Medium: HSL\_750 Medium parameters used:  $f = 750$  MHz;  $\sigma = 0.9$  S/m;  $\epsilon_r = 41.184$ ;  $\rho = 1000$  kg/m<sup>3</sup>  
Ambient Temperature : 23.2 °C; Liquid Temperature : 22.5 °C

#### DASY5 Configuration:

- Probe: ES3DV3 - SN3293; ConvF(6.44, 6.44, 6.44); Calibrated: 2021/11/23
- Sensor-Surface: 3mm (Mechanical Surface Detection)
- Electronics: DAE4 Sn1691; Calibrated: 2021/10/4
- Phantom: SAM Twin Phantom; Type: SAM Twin; Serial: TP-2022
- Measurement SW: DASY52, Version 52.10 (4); SEMCAD X Version 14.6.14 (7483)

**Pin=50mW/Area Scan (61x61x1):** Interpolated grid: dx=1.500 mm, dy=1.500 mm  
Maximum value of SAR (interpolated) = 0.493 W/kg

**Pin=50mW/Zoom Scan (5x5x7)/Cube 0:** Measurement grid: dx=8mm, dy=8mm, dz=5mm  
Reference Value = 23.77 V/m; Power Drift = 0.14 dB  
Peak SAR (extrapolated) = 0.608 W/kg  
**SAR(1 g) = 0.424 W/kg; SAR(10 g) = 0.282 W/kg**  
Maximum value of SAR (measured) = 0.492 W/kg



0 dB = 0.492 W/kg = -3.08 dBW/kg

### System Check\_Head\_835MHz

**DUT: D835V2 - SN:4d162**

Communication System: UID 0, CW (0); Frequency: 835 MHz; Duty Cycle: 1:1

Medium: HSL\_835 Medium parameters used:  $f = 835 \text{ MHz}$ ;  $\sigma = 0.924 \text{ S/m}$ ;  $\epsilon_r = 42.865$ ;  $\rho = 1000 \text{ kg/m}^3$

Ambient Temperature : 23.3 °C; Liquid Temperature : 22.7 °C

DASY5 Configuration:

- Probe: ES3DV3 - SN3293; ConvF(6.41, 6.41, 6.41); Calibrated: 2021/11/23

- Sensor-Surface: 3mm (Mechanical Surface Detection)

- Electronics: DAE4 Sn1691; Calibrated: 2021/10/4

- Phantom: SAM Twin Phantom; Type: SAM Twin; Serial: TP-2022

- Measurement SW: DASY52, Version 52.10 (4); SEMCAD X Version 14.6.14 (7483)

**Pin=50mW/Area Scan (61x61x1):** Interpolated grid:  $dx=1.500 \text{ mm}$ ,  $dy=1.500 \text{ mm}$

Maximum value of SAR (interpolated) = 0.566 W/kg

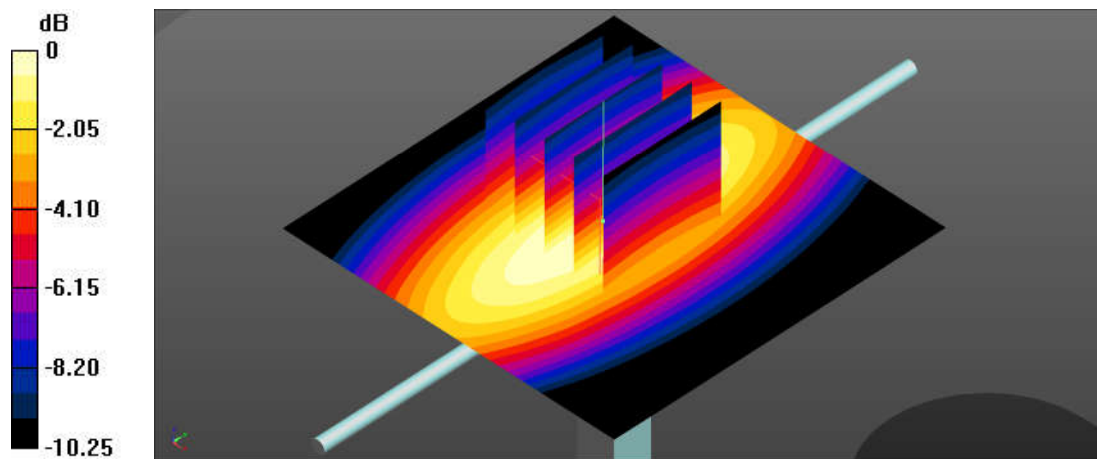
**Pin=50mW/Zoom Scan (5x5x7)/Cube 0:** Measurement grid:  $dx=8\text{mm}$ ,  $dy=8\text{mm}$ ,  $dz=5\text{mm}$

Reference Value = 25.26 V/m; Power Drift = -0.02 dB

Peak SAR (extrapolated) = 0.706 W/kg

**SAR(1 g) = 0.483 W/kg; SAR(10 g) = 0.319 W/kg**

Maximum value of SAR (measured) = 0.562 W/kg



0 dB = 0.562 W/kg = -2.50 dBW/kg

### System Check\_Head\_1750MHz

**DUT: D1750V2 - SN:1090**

Communication System: UID 0, CW (0); Frequency: 1750 MHz; Duty Cycle: 1:1

Medium: HSL\_1750 Medium parameters used:  $f = 1750$  MHz;  $\sigma = 1.39$  S/m;  $\epsilon_r = 38.5$ ;  $\rho = 1000$

kg/m<sup>3</sup>

Ambient Temperature : 23.3 °C; Liquid Temperature : 22.6 °C

DASY5 Configuration:

- Probe: ES3DV3 - SN3293; ConvF(5.44, 5.44, 5.44); Calibrated: 2021/11/23

- Sensor-Surface: 3mm (Mechanical Surface Detection)

- Electronics: DAE4 Sn1691; Calibrated: 2021/10/4

- Phantom: SAM Twin Phantom; Type: SAM Twin; Serial: TP-2022

- Measurement SW: DASY52, Version 52.10 (4); SEMCAD X Version 14.6.14 (7483)

**Pin=50mW/Area Scan (61x61x1):** Interpolated grid: dx=1.500 mm, dy=1.500 mm

Maximum value of SAR (interpolated) = 2.39 W/kg

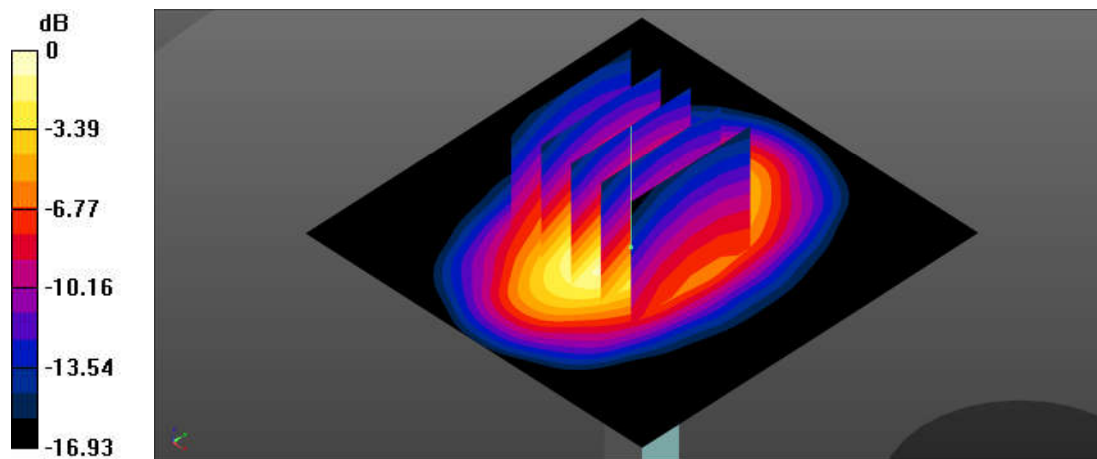
**Pin=50mW/Zoom Scan (5x5x7)/Cube 0:** Measurement grid: dx=8mm, dy=8mm, dz=5mm

Reference Value = 42.52 V/m; Power Drift = -0.11 dB

Peak SAR (extrapolated) = 3.32 W/kg

**SAR(1 g) = 1.88 W/kg; SAR(10 g) = 1.01 W/kg**

Maximum value of SAR (measured) = 2.33 W/kg



0 dB = 2.33 W/kg = 3.67 dBW/kg

### System Check\_Head\_1900MHz

**DUT: D1900V2 - SN:5d182**

Communication System: UID 0, CW (0); Frequency: 1900 MHz; Duty Cycle: 1:1

Medium: HSL\_1900 Medium parameters used:  $f = 1900 \text{ MHz}$ ;  $\sigma = 1.456 \text{ S/m}$ ;  $\epsilon_r = 40.696$ ;  $\rho = 1000 \text{ kg/m}^3$

Ambient Temperature : 23.2 °C; Liquid Temperature : 22.8 °C

DASY5 Configuration:

- Probe: ES3DV3 - SN3293; ConvF(5.15, 5.15, 5.15); Calibrated: 2021/11/23
- Sensor-Surface: 3mm (Mechanical Surface Detection)
- Electronics: DAE4 Sn1691; Calibrated: 2021/10/4
- Phantom: SAM Twin Phantom; Type: SAM Twin; Serial: TP-2022
- Measurement SW: DASY52, Version 52.10 (4); SEMCAD X Version 14.6.14 (7483)

**Pin=50mW/Area Scan (61x61x1):** Interpolated grid:  $dx=1.500 \text{ mm}$ ,  $dy=1.500 \text{ mm}$

Maximum value of SAR (interpolated) = 2.67 W/kg

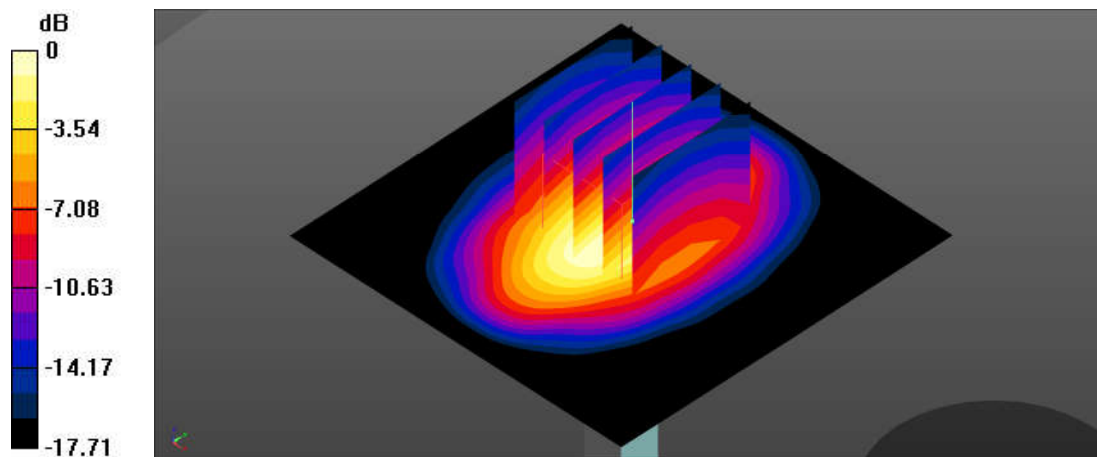
**Pin=50mW/Zoom Scan (5x5x7)/Cube 0:** Measurement grid:  $dx=8\text{mm}$ ,  $dy=8\text{mm}$ ,  $dz=5\text{mm}$

Reference Value = 42.89 V/m; Power Drift = 0.02 dB

Peak SAR (extrapolated) = 3.79 W/kg

**SAR(1 g) = 2.09 W/kg; SAR(10 g) = 1.09 W/kg**

Maximum value of SAR (measured) = 2.61 W/kg



0 dB = 2.61 W/kg = 4.17 dBW/kg

### System Check\_Head\_2600MHz

**DUT: D2600V2 - SN:1061**

Communication System: UID 0, CW (0); Frequency: 2600 MHz; Duty Cycle: 1:1

Medium: HSL\_2600 Medium parameters used:  $f = 2600$  MHz;  $\sigma = 1.927$  S/m;  $\epsilon_r = 38.322$ ;  $\rho = 1000$  kg/m<sup>3</sup>

Ambient Temperature : 23.3 °C; Liquid Temperature : 22.7 °C

DASY5 Configuration:

- Probe: ES3DV3 - SN3293; ConvF(4.31, 4.31, 4.31); Calibrated: 2021/11/23

- Sensor-Surface: 3mm (Mechanical Surface Detection)

- Electronics: DAE4 Sn1691; Calibrated: 2021/10/4

- Phantom: SAM Twin Phantom; Type: SAM Twin; Serial: TP-2022

- Measurement SW: DASY52, Version 52.10 (4); SEMCAD X Version 14.6.14 (7483)

**Pin=50mW/Area Scan (71x71x1):** Interpolated grid: dx=1.200 mm, dy=1.200 mm

Maximum value of SAR (interpolated) = 3.64 W/kg

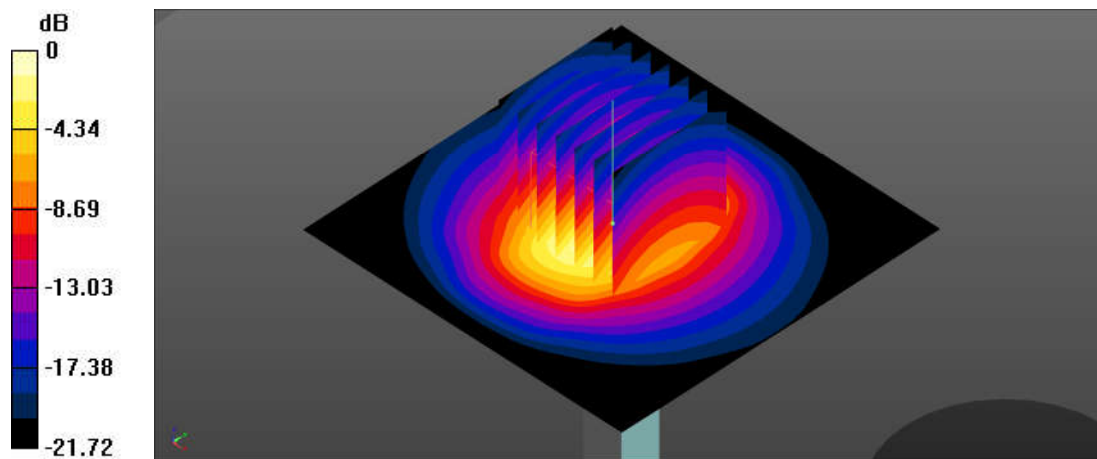
**Pin=50mW/Zoom Scan (7x7x7)/Cube 0:** Measurement grid: dx=5mm, dy=5mm, dz=5mm

Reference Value = 44.41 V/m; Power Drift = 0.08 dB

Peak SAR (extrapolated) = 5.48 W/kg

**SAR(1 g) = 2.67 W/kg; SAR(10 g) = 1.23 W/kg**

Maximum value of SAR (measured) = 3.55 W/kg



0 dB = 3.55 W/kg = 5.50 dBW/kg

### System Check\_Head\_3500MHz

**DUT: D3500V2 - SN:1037**

Communication System: UID 0, CW (0); Frequency: 3500 MHz; Duty Cycle: 1:1

Medium: HSL\_3500 Medium parameters used:  $f = 3500$  MHz;  $\sigma = 2.809$  S/m;  $\epsilon_r = 39.002$ ;  $\rho = 1000$  kg/m<sup>3</sup>

Ambient Temperature : 23.2 °C; Liquid Temperature : 22.7 °C

DASY5 Configuration:

- Probe: EX3DV4 - SN7729; ConvF(7.2, 7.2, 7.2); Calibrated: 2022/5/30
- Sensor-Surface: 1.4mm (Mechanical Surface Detection)
- Electronics: DAE4 Sn1691; Calibrated: 2021/10/4
- Phantom: SAM Twin Phantom; Type: SAM Twin; Serial: TP-2022
- Measurement SW: DASY52, Version 52.10 (4); SEMCAD X Version 14.6.14 (7483)

**Pin=50mW/Area Scan (91x91x1):** Interpolated grid: dx=1.000 mm, dy=1.000 mm

Maximum value of SAR (interpolated) = 5.87 W/kg

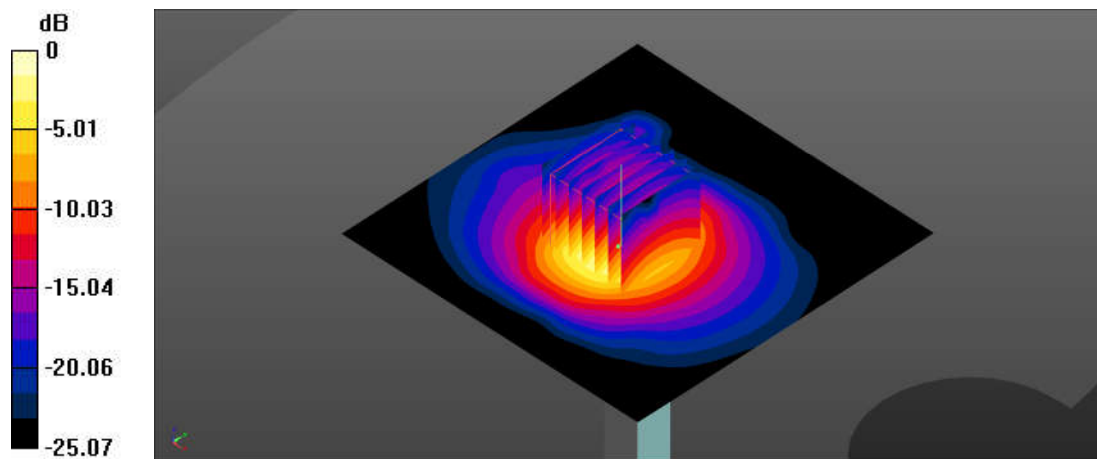
**Pin=50mW/Zoom Scan (7x7x7)/Cube 0:** Measurement grid: dx=4mm, dy=4mm, dz=1.4mm

Reference Value = 41.25 V/m; Power Drift = 0.10 dB

Peak SAR (extrapolated) = 11.7 W/kg

**SAR(1 g) = 3.53 W/kg; SAR(10 g) = 1.35 W/kg**

Maximum value of SAR (measured) = 6.73 W/kg



0 dB = 6.73 W/kg = 8.26 dBW/kg

### System Check\_Head\_3700MHz

**DUT: D3700V2 - SN:1008**

Communication System: UID 0, CW (0); Frequency: 3700 MHz; Duty Cycle: 1:1

Medium: HSL\_3700 Medium parameters used:  $f = 3700$  MHz;  $\sigma = 2.995$  S/m;  $\epsilon_r = 38.682$ ;  $\rho = 1000$  kg/m<sup>3</sup>

Ambient Temperature : 23.3 °C; Liquid Temperature : 22.6 °C

DASY5 Configuration:

- Probe: EX3DV4 - SN7729; ConvF(7.15, 7.15, 7.15); Calibrated: 2022/5/30
- Sensor-Surface: 1.4mm (Mechanical Surface Detection)
- Electronics: DAE4 Sn1691; Calibrated: 2021/10/4
- Phantom: SAM Twin Phantom; Type: SAM Twin; Serial: TP-2022
- Measurement SW: DASY52, Version 52.10 (4); SEMCAD X Version 14.6.14 (7483)

**Pin=50mW/Area Scan (91x91x1):** Interpolated grid: dx=1.000 mm, dy=1.000 mm

Maximum value of SAR (interpolated) = 6.65 W/kg

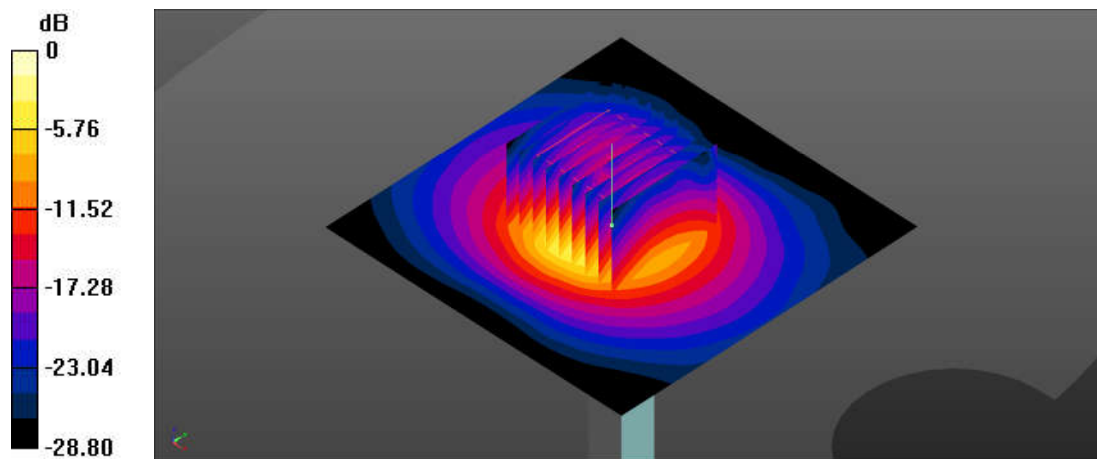
**Pin=50mW/Zoom Scan (9x9x7)/Cube 0:** Measurement grid: dx=4mm, dy=4mm, dz=1.4mm

Reference Value = 55.08 V/m; Power Drift = 0.14 dB

Peak SAR (extrapolated) = 11.3 W/kg

**SAR(1 g) = 3.43 W/kg; SAR(10 g) = 1.28 W/kg**

Maximum value of SAR (measured) = 6.68 W/kg



0 dB = 6.68 W/kg = 8.25 dBW/kg



### System Check\_Head\_3900MHz

**DUT: D3900V2 - SN:1048**

Communication System: UID 0, CW (0); Frequency: 3900 MHz; Duty Cycle: 1:1

Medium: HSL\_3900 Medium parameters used:  $f = 3900$  MHz;  $\sigma = 3.195$  S/m;  $\epsilon_r = 38.391$ ;  $\rho = 1000$  kg/m<sup>3</sup>

Ambient Temperature : 23.2 °C; Liquid Temperature : 22.8 °C

DASY5 Configuration:

- Probe: EX3DV4 - SN7729; ConvF(6.68, 6.68, 6.68) ; Calibrated: 2022/5/30
- Sensor-Surface: 1.4mm (Mechanical Surface Detection)
- Electronics: DAE4 Sn1691; Calibrated: 2021/10/4
- Phantom: SAM Twin Phantom; Type: SAM Twin; Serial: TP-2022
- Measurement SW: DASY52, Version 52.10 (4); SEMCAD X Version 14.6.14 (7483)

**Pin=50mW/Area Scan (91x91x1):** Interpolated grid: dx=1.000 mm, dy=1.000 mm

Maximum value of SAR (interpolated) = 6.95 W/kg

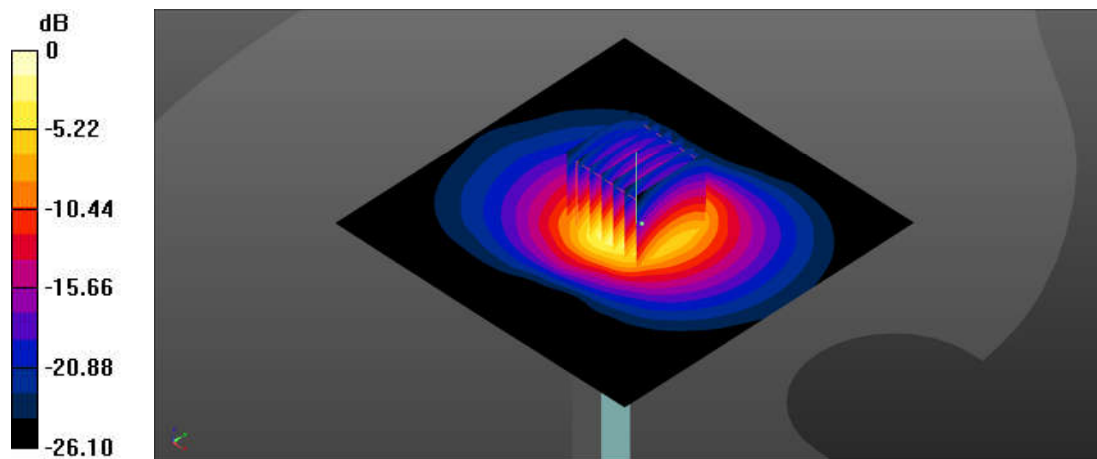
**Pin=50mW/Zoom Scan (7x7x7)/Cube 0:** Measurement grid: dx=4mm, dy=4mm, dz=1.4mm

Reference Value = 40.92 V/m; Power Drift = -0.02 dB

Peak SAR (extrapolated) = 11.6 W/kg

**SAR(1 g) = 3.52 W/kg; SAR(10 g) = 1.28 W/kg**

Maximum value of SAR (measured) = 6.91 W/kg



0 dB = 6.91 W/kg = 8.39 dBW/kg



### System Check\_Head\_750MHz

**DUT: D750V3 - SN:1087**

Communication System: UID 0, CW (0); Frequency: 750 MHz;Duty Cycle: 1:1  
Medium: HSL\_750 Medium parameters used:  $f = 750$  MHz;  $\sigma = 0.923$  S/m;  $\epsilon_r = 41.92$ ;  $\rho = 1000$  kg/m<sup>3</sup>

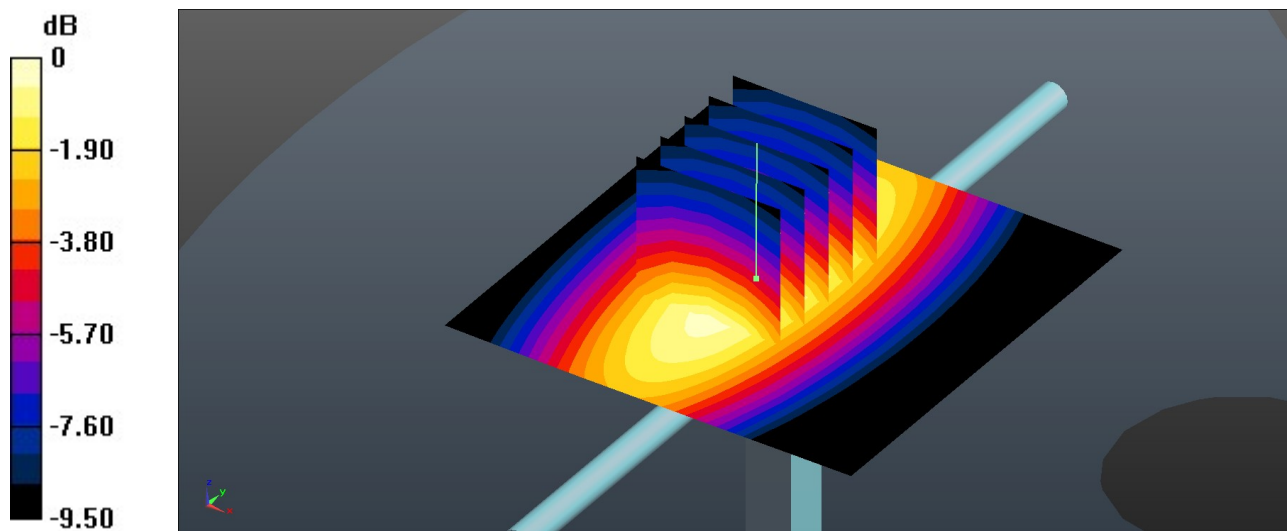
Ambient Temperature : 23.2 °C; Liquid Temperature : 22.6 °C

#### DASY5 Configuration:

- Probe: EX3DV4 - SN7641; ConvF(11.1, 11.1, 11.1); Calibrated: 2022/4/11
- Sensor-Surface: 1.4mm (Mechanical Surface Detection)
- Electronics: DAE4 Sn1338; Calibrated: 2021/12/1
- Phantom: SAM Twin Phantom; Type: SAM Twin; Serial: TP-1842
- Measurement SW: DASY52, Version 52.10 (4); SEMCAD X Version 14.6.14 (7483)

**Pin=50mW/Area Scan (61x61x1):** Interpolated grid: dx=1.500 mm, dy=1.500 mm  
Maximum value of SAR (interpolated) = 0.487 W/kg

**Pin=50mW/Zoom Scan (5x5x7)/Cube 0:** Measurement grid: dx=8mm, dy=8mm, dz=5mm  
Reference Value = 22.84 V/m; Power Drift = 0.15 dB  
Peak SAR (extrapolated) = 0.612 W/kg  
**SAR(1 g) = 0.422 W/kg; SAR(10 g) = 0.283 W/kg**  
Maximum value of SAR (measured) = 0.490 W/kg



0 dB = 0.490 W/kg = -3.10 dBW/kg

### System Check\_Head\_835MHz

**DUT: D835V2 - SN:4d162**

Communication System: UID 0, CW (0); Frequency: 835 MHz; Duty Cycle: 1:1

Medium: HSL\_835 Medium parameters used:  $f = 835 \text{ MHz}$ ;  $\sigma = 0.929 \text{ S/m}$ ;  $\epsilon_r = 40.921$ ;  $\rho = 1000 \text{ kg/m}^3$

Ambient Temperature : 23.2 °C; Liquid Temperature : 22.6 °C

DASY5 Configuration:

- Probe: EX3DV4 - SN7641; ConvF(10.81, 10.81, 10.81); Calibrated: 2022/4/11
- Sensor-Surface: 1.4mm (Mechanical Surface Detection)
- Electronics: DAE4 Sn1338; Calibrated: 2021/12/1
- Phantom: SAM Twin Phantom; Type: SAM Twin; Serial: TP-1842
- Measurement SW: DASY52, Version 52.10 (4); SEMCAD X Version 14.6.14 (7483)

**Pin=50mW/Area Scan (61x61x1):** Interpolated grid:  $dx=1.500 \text{ mm}$ ,  $dy=1.500 \text{ mm}$   
Maximum value of SAR (interpolated) = 0.427 W/kg

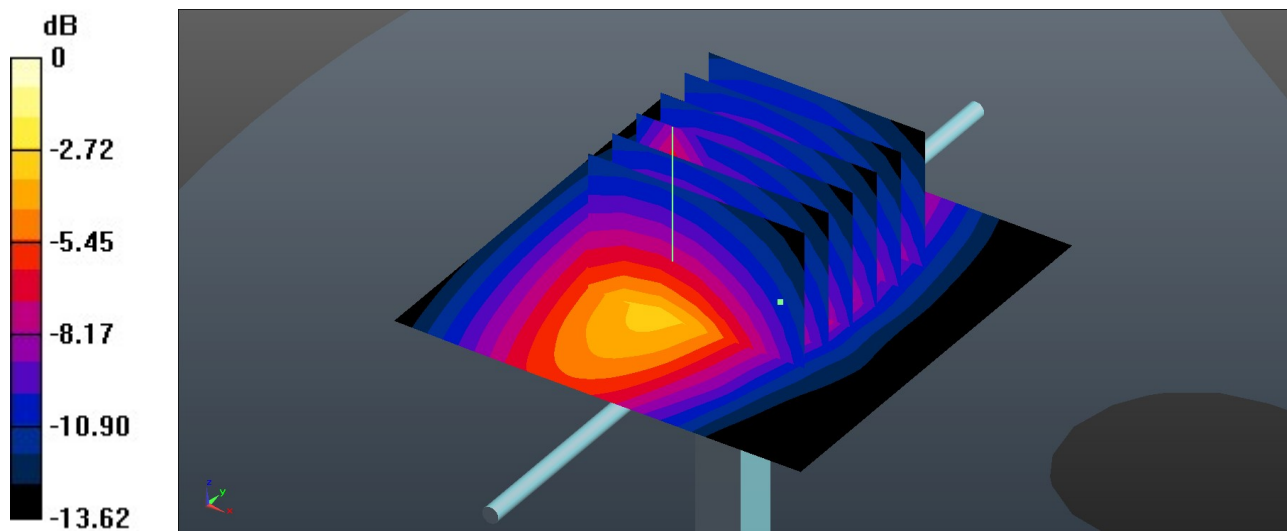
**Pin=50mW/Zoom Scan (7x6x7)/Cube 0:** Measurement grid:  $dx=8\text{mm}$ ,  $dy=8\text{mm}$ ,  $dz=5\text{mm}$

Reference Value = 32.83 V/m; Power Drift = -0.04 dB

Peak SAR (extrapolated) = 0.858 W/kg

**SAR(1 g) = 0.475 W/kg; SAR(10 g) = 0.296 W/kg**

Maximum value of SAR (measured) = 0.736 W/kg



0 dB = 0.736 W/kg = -1.33 dBW/kg

### System Check\_Head\_1750MHz

**DUT: D1750V2 - SN:1090**

Communication System: UID 0, CW (0); Frequency: 1750 MHz;Duty Cycle: 1:1  
Medium: HSL\_1750 Medium parameters used:  $f = 1750$  MHz;  $\sigma = 1.374$  S/m;  $\epsilon_r = 40.239$ ;  $\rho = 1000$  kg/m<sup>3</sup>

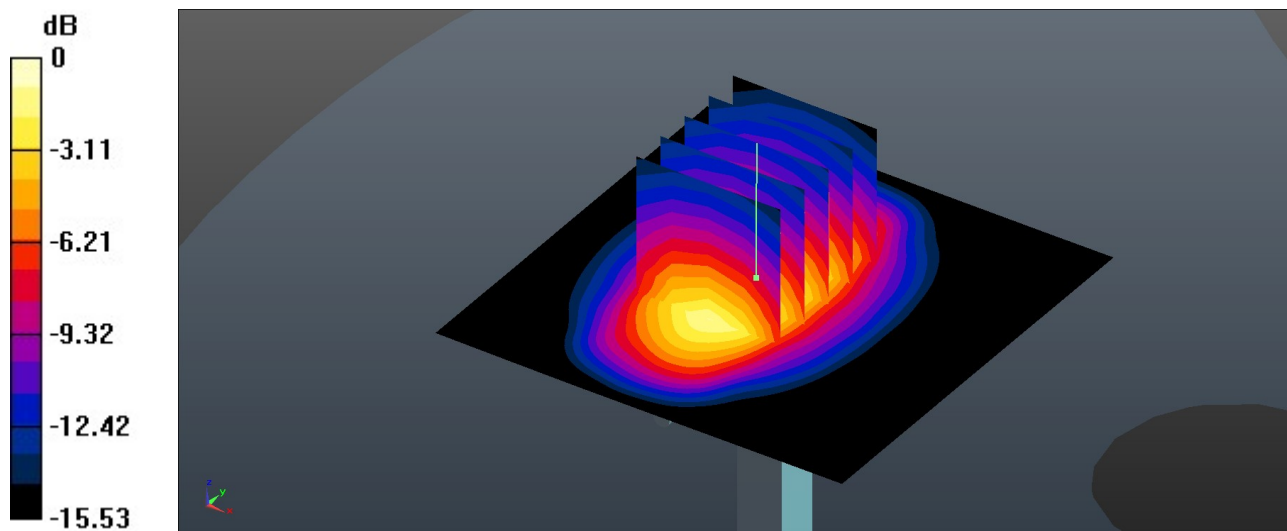
Ambient Temperature : 23.3 °C; Liquid Temperature : 22.7 °C

#### DASY5 Configuration:

- Probe: EX3DV4 - SN7641; ConvF(9.47, 9.47, 9.47); Calibrated: 2022/4/11
- Sensor-Surface: 1.4mm (Mechanical Surface Detection)
- Electronics: DAE4 Sn1338; Calibrated: 2021/12/1
- Phantom: SAM Twin Phantom; Type: SAM Twin; Serial: TP-1842
- Measurement SW: DASY52, Version 52.10 (4); SEMCAD X Version 14.6.14 (7483)

**Pin=50mW/Area Scan (61x61x1):** Interpolated grid: dx=1.500 mm, dy=1.500 mm  
Maximum value of SAR (interpolated) = 2.38 W/kg

**Pin=50mW/Zoom Scan (5x5x7)/Cube 0:** Measurement grid: dx=8mm, dy=8mm, dz=5mm  
Reference Value = 38.01 V/m; Power Drift = 0.07 dB  
Peak SAR (extrapolated) = 3.21 W/kg  
**SAR(1 g) = 1.84 W/kg; SAR(10 g) = 1 W/kg**  
Maximum value of SAR (measured) = 2.29 W/kg



0 dB = 2.29 W/kg = 3.60 dBW/kg

### System Check\_Head\_1900MHz

**DUT: D1900V2 - SN:5d182**

Communication System: UID 0, CW (0); Frequency: 1900 MHz; Duty Cycle: 1:1

Medium: HSL\_1900 Medium parameters used:  $f = 1900$  MHz;  $\sigma = 1.452$  S/m;  $\epsilon_r = 39.632$ ;  $\rho = 1000$  kg/m<sup>3</sup>

Ambient Temperature : 23.3 °C; Liquid Temperature : 22.7 °C

DASY5 Configuration:

- Probe: EX3DV4 - SN7641; ConvF(9.09, 9.09, 9.09); Calibrated: 2022/4/11
- Sensor-Surface: 1.4mm (Mechanical Surface Detection)
- Electronics: DAE4 Sn1338; Calibrated: 2021/12/1
- Phantom: SAM Twin Phantom; Type: SAM Twin; Serial: TP-1842
- Measurement SW: DASY52, Version 52.10 (4); SEMCAD X Version 14.6.14 (7483)

**Pin=50mW/Area Scan (61x61x1):** Interpolated grid: dx=1.500 mm, dy=1.500 mm  
Maximum value of SAR (interpolated) = 2.62 W/kg

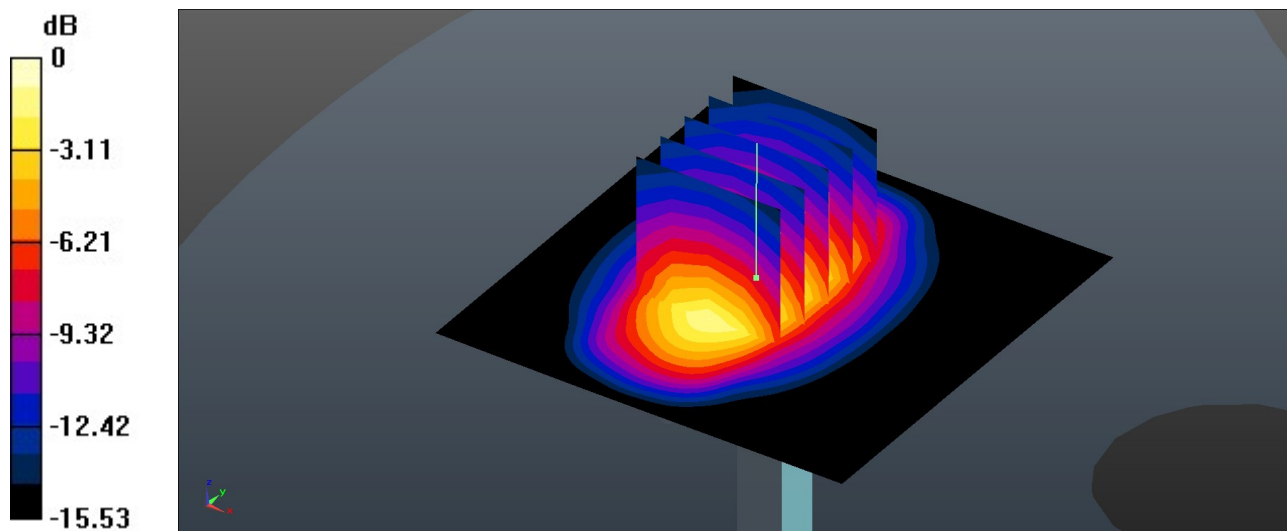
**Pin=50mW/Zoom Scan (5x5x7)/Cube 0:** Measurement grid: dx=8mm, dy=8mm, dz=5mm

Reference Value = 38.87 V/m; Power Drift = 0.07 dB

Peak SAR (extrapolated) = 3.52 W/kg

**SAR(1 g) = 2.03 W/kg; SAR(10 g) = 1.08 W/kg**

Maximum value of SAR (measured) = 2.53 W/kg



0 dB = 2.53 W/kg = 4.03 dBW/kg

### System Check\_Head\_2600MHz

**DUT: D2600V2 - SN:1061**

Communication System: UID 0, CW (0); Frequency: 2600 MHz; Duty Cycle: 1:1  
Medium: HSL\_2600 Medium parameters used:  $f = 2600$  MHz;  $\sigma = 1.98$  S/m;  $\epsilon_r = 39.054$ ;  $\rho = 1000$  kg/m<sup>3</sup>

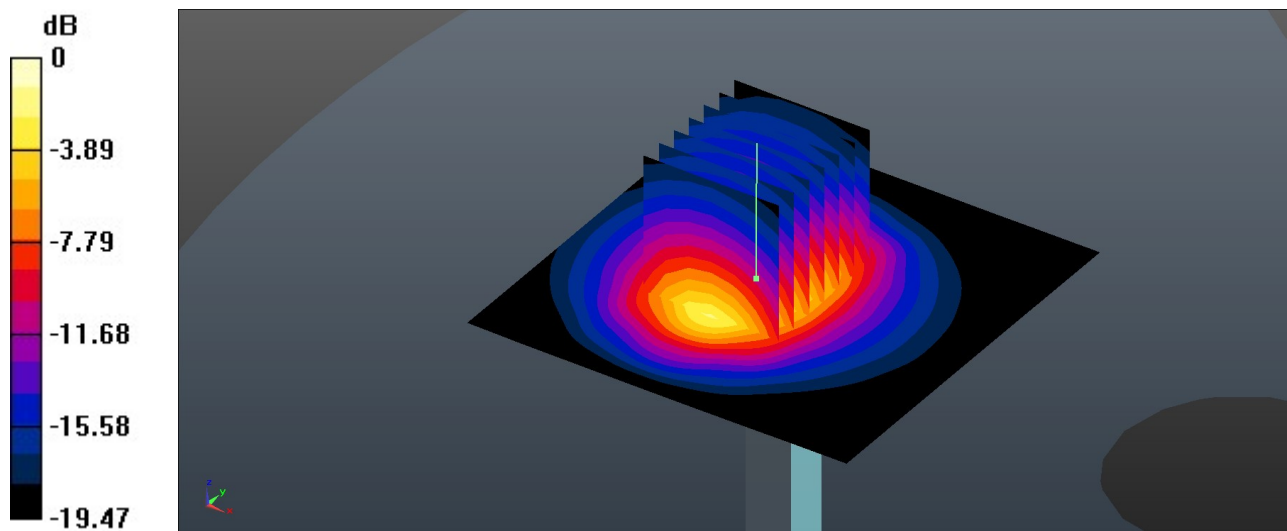
Ambient Temperature : 23.3 °C; Liquid Temperature : 22.7 °C

#### DASY5 Configuration:

- Probe: EX3DV4 - SN7641; ConvF(7.93, 7.93, 7.93); Calibrated: 2022/4/11
- Sensor-Surface: 1.4mm (Mechanical Surface Detection)
- Electronics: DAE4 Sn1338; Calibrated: 2021/12/1
- Phantom: SAM Twin Phantom; Type: SAM Twin; Serial: TP-1842
- Measurement SW: DASY52, Version 52.10 (4); SEMCAD X Version 14.6.14 (7483)

**Pin=50mW/Area Scan (71x71x1):** Interpolated grid: dx=1.200 mm, dy=1.200 mm  
Maximum value of SAR (interpolated) = 3.82 W/kg

**Pin=50mW/Zoom Scan (7x7x7)/Cube 0:** Measurement grid: dx=5mm, dy=5mm, dz=5mm  
Reference Value = 37.78 V/m; Power Drift = 0.06 dB  
Peak SAR (extrapolated) = 5.56 W/kg  
**SAR(1 g) = 2.75 W/kg; SAR(10 g) = 1.27 W/kg**  
Maximum value of SAR (measured) = 3.62 W/kg



0 dB = 3.62 W/kg = 5.59 dBW/kg

### System Check\_Head\_3500MHz

**DUT: D3500V2 - SN:1037**

Communication System: UID 0, CW (0); Frequency: 3500 MHz; Duty Cycle: 1:1

Medium: HSL\_3500 Medium parameters used:  $f = 3500$  MHz;  $\sigma = 2.783$  S/m;  $\epsilon_r = 39.158$ ;  $\rho = 1000$  kg/m<sup>3</sup>

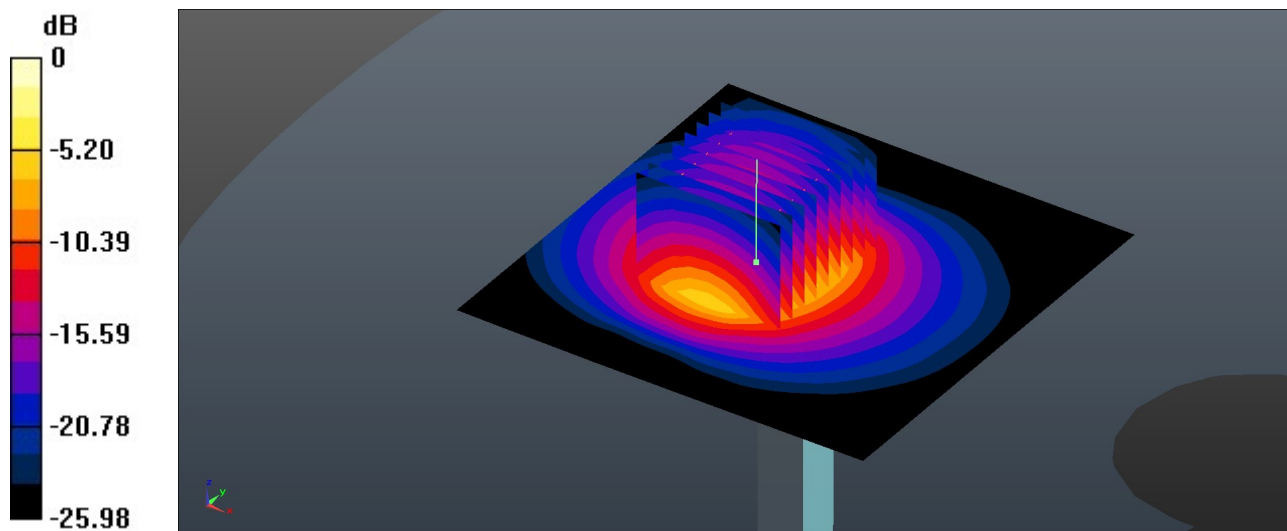
Ambient Temperature : 23.4 °C; Liquid Temperature : 22.8 °C

DASY5 Configuration:

- Probe: EX3DV4 - SN7641; ConvF(7.33, 7.33, 7.33); Calibrated: 2022/4/11
- Sensor-Surface: 1.4mm (Mechanical Surface Detection)
- Electronics: DAE4 Sn1338; Calibrated: 2021/12/1
- Phantom: SAM Twin Phantom; Type: SAM Twin; Serial: TP-1842
- Measurement SW: DASY52, Version 52.10 (4); SEMCAD X Version 14.6.14 (7483)

**Pin=50mW/Area Scan (91x91x1):** Interpolated grid: dx=1.000 mm, dy=1.000 mm  
Maximum value of SAR (interpolated) = 6.44 W/kg

**Pin=50mW/Zoom Scan (9x9x7)/Cube 0:** Measurement grid: dx=4mm, dy=4mm, dz=1.4mm  
Reference Value = 36.06 V/m; Power Drift = 0.06 dB  
Peak SAR (extrapolated) = 8.68 W/kg  
**SAR(1 g) = 3.38 W/kg; SAR(10 g) = 1.32 W/kg**  
Maximum value of SAR (measured) = 6.41 W/kg



0 dB = 6.41 W/kg = 8.07 dBW/kg

### System Check\_Head\_3700MHz

**DUT: D3700V2 - SN:1008**

Communication System: UID 0, CW (0); Frequency: 3700 MHz; Duty Cycle: 1:1

Medium: HSL\_3700 Medium parameters used:  $f = 3700$  MHz;  $\sigma = 3.004$  S/m;  $\epsilon_r = 37.496$ ;  $\rho = 1000$  kg/m<sup>3</sup>

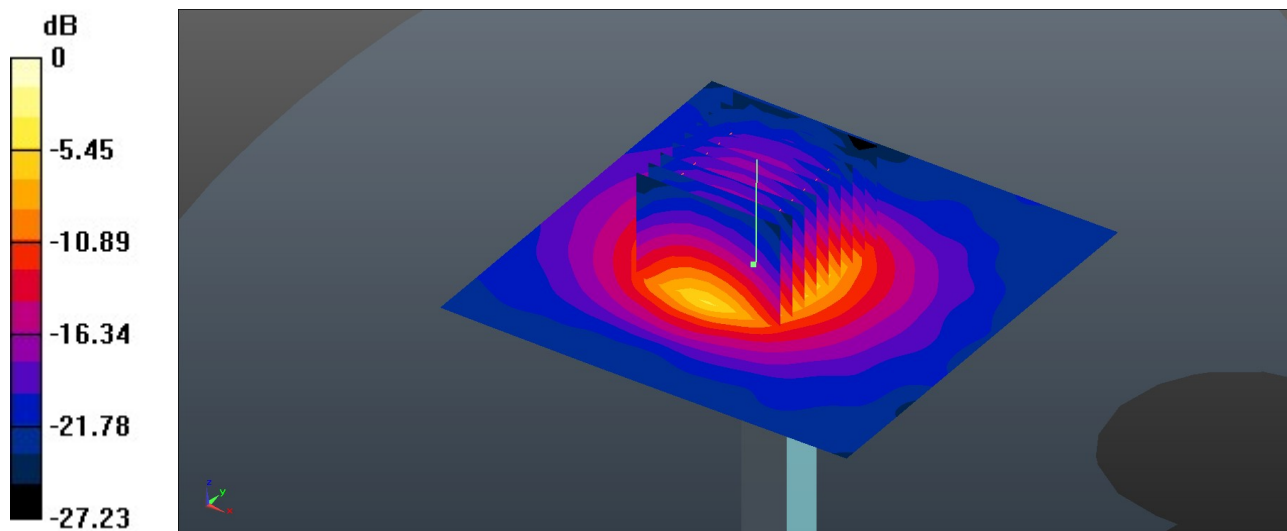
Ambient Temperature : 23.4 °C; Liquid Temperature : 22.8 °C

DASY5 Configuration:

- Probe: EX3DV4 - SN7641; ConvF(7.13, 7.13, 7.13); Calibrated: 2022/4/11
- Sensor-Surface: 1.4mm (Mechanical Surface Detection)
- Electronics: DAE4 Sn1338; Calibrated: 2021/12/1
- Phantom: SAM Twin Phantom; Type: SAM Twin; Serial: TP-1842
- Measurement SW: DASY52, Version 52.10 (4); SEMCAD X Version 14.6.14 (7483)

**Pin=50mW/Area Scan (91x91x1):** Interpolated grid: dx=1.000 mm, dy=1.000 mm  
Maximum value of SAR (interpolated) = 4.24 W/kg

**Pin=50mW/Zoom Scan (9x9x7)/Cube 0:** Measurement grid: dx=4mm, dy=4mm, dz=1.4mm  
Reference Value = 33.48 V/m; Power Drift = 0.04 dB  
Peak SAR (extrapolated) = 5.60 W/kg  
**SAR(1 g) = 3.12 W/kg; SAR(10 g) = 1.15 W/kg**  
Maximum value of SAR (measured) = 4.09 W/kg



0 dB = 4.09 W/kg = 6.12 dBW/kg



### System Check\_Head\_3900MHz

**DUT: D3900V2 - SN:1048**

Communication System: UID 0, CW (0); Frequency: 3900 MHz; Duty Cycle: 1:1  
Medium: HSL\_3900 Medium parameters used:  $f = 3900$  MHz;  $\sigma = 3.21$  S/m;  $\epsilon_r = 37.055$ ;  $\rho = 1000$  kg/m<sup>3</sup>

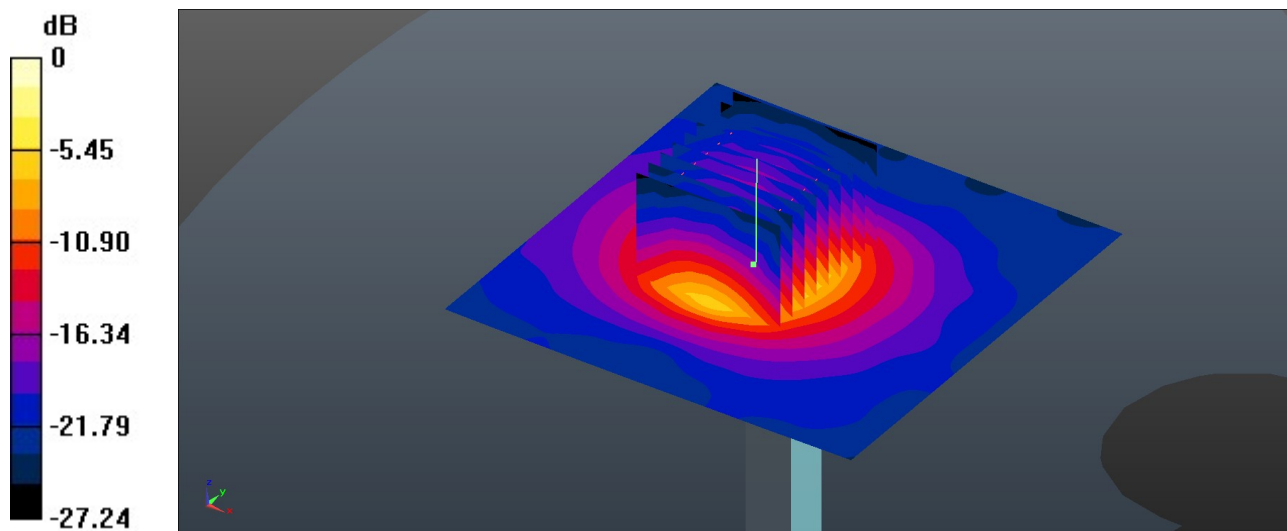
Ambient Temperature : 23.4 °C; Liquid Temperature : 22.8 °C

#### DASY5 Configuration:

- Probe: EX3DV4 - SN7729; ConvF(6.68, 6.68, 6.68) ; Calibrated: 2022/5/30
- Sensor-Surface: 1.4mm (Mechanical Surface Detection)
- Electronics: DAE4 Sn1338; Calibrated: 2021/12/1
- Phantom: SAM Twin Phantom; Type: SAM Twin; Serial: TP-2022
- Measurement SW: DASY52, Version 52.10 (4); SEMCAD X Version 14.6.14 (7483)

**Pin=50mW/Area Scan (91x91x1):** Interpolated grid: dx=1.000 mm, dy=1.000 mm  
Maximum value of SAR (interpolated) = 4.49 W/kg

**Pin=50mW/Zoom Scan (9x9x7)/Cube 0:** Measurement grid: dx=4mm, dy=4mm, dz=1.4mm  
Reference Value = 32.98 V/m; Power Drift = 0.09 dB  
Peak SAR (extrapolated) = 5.84 W/kg  
**SAR(1 g) = 3.27 W/kg; SAR(10 g) = 1.16 W/kg**  
Maximum value of SAR (measured) = 4.31 W/kg



0 dB = 4.31 W/kg = 6.34 dBW/kg

### System Check\_Head\_750MHz

**DUT: D750V3 - SN:1087**

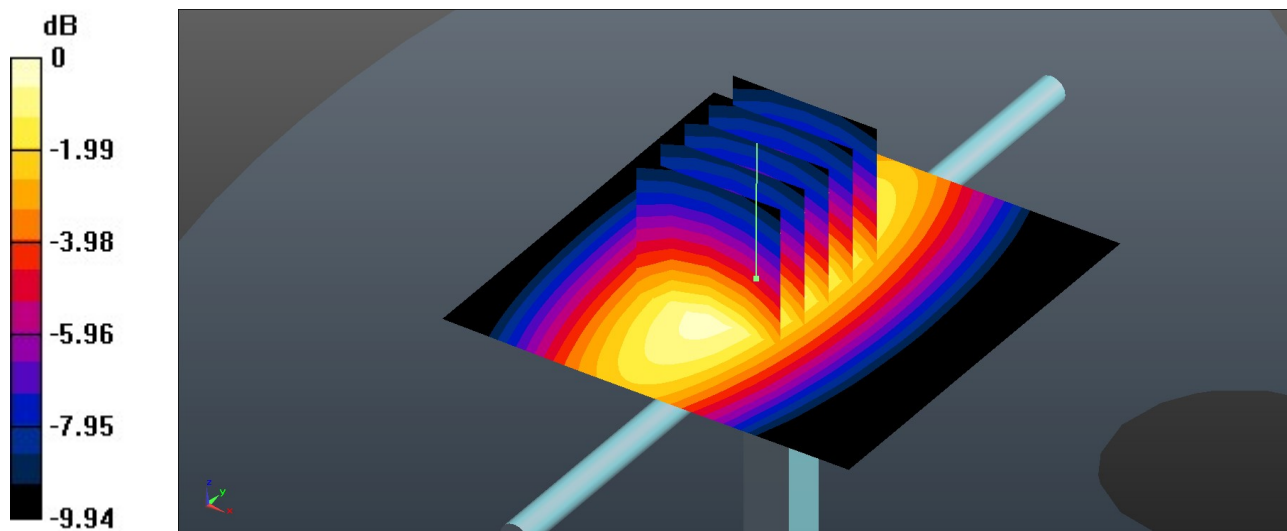
Communication System: UID 0, CW (0); Frequency: 750 MHz; Duty Cycle: 1:1  
Medium: HSL\_750 Medium parameters used:  $f = 750$  MHz;  $\sigma = 0.906$  S/m;  $\epsilon_r = 42.762$ ;  $\rho = 1000$  kg/m<sup>3</sup>  
Ambient Temperature : 23.3 °C; Liquid Temperature : 22.7 °C

#### DASY5 Configuration:

- Probe: EX3DV4 - SN7641; ConvF(11.1, 11.1, 11.1); Calibrated: 2022/4/11
- Sensor-Surface: 1.4mm (Mechanical Surface Detection)
- Electronics: DAE4 Sn1338; Calibrated: 2021/12/1
- Phantom: SAM Twin Phantom; Type: SAM Twin; Serial: TP-1842
- Measurement SW: DASY52, Version 52.10 (4); SEMCAD X Version 14.6.14 (7483)

**Pin=50mW/Area Scan (61x61x1):** Interpolated grid: dx=1.500 mm, dy=1.500 mm  
Maximum value of SAR (interpolated) = 0.486 W/kg

**Pin=50mW/Zoom Scan (5x5x7)/Cube 0:** Measurement grid: dx=8mm, dy=8mm, dz=5mm  
Reference Value = 23.33 V/m; Power Drift = 0.13 dB  
Peak SAR (extrapolated) = 0.619 W/kg  
**SAR(1 g) = 0.419 W/kg; SAR(10 g) = 0.279 W/kg**  
Maximum value of SAR (measured) = 0.490 W/kg



0 dB = 0.490 W/kg = -3.10 dBW/kg

### System Check\_Head\_835MHz

**DUT: D835V2-SN:4d162**

Communication System: UID 0, CW (0); Frequency: 835 MHz; Duty Cycle: 1:1

Medium: HSL\_835 Medium parameters used:  $f = 835 \text{ MHz}$ ;  $\sigma = 0.926 \text{ S/m}$ ;  $\epsilon_r = 41.056$ ;  $\rho = 1000 \text{ kg/m}^3$

Ambient Temperature : 23.3 °C; Liquid Temperature : 22.7 °C

DASY5 Configuration:

- Probe: EX3DV4 - SN7641; ConvF(10.81, 10.81, 10.81); Calibrated: 2022/4/11
- Sensor-Surface: 1.4mm (Mechanical Surface Detection)
- Electronics: DAE4 Sn1338; Calibrated: 2021/12/1
- Phantom: SAM Twin Phantom; Type: SAM Twin; Serial: TP-1842
- Measurement SW: DASY52, Version 52.10 (4); SEMCAD X Version 14.6.14 (7483)

**Pin=50mW/Area Scan (61x61x1):** Interpolated grid:  $dx=1.500 \text{ mm}$ ,  $dy=1.500 \text{ mm}$   
Maximum value of SAR (interpolated) = 0.534 W/kg

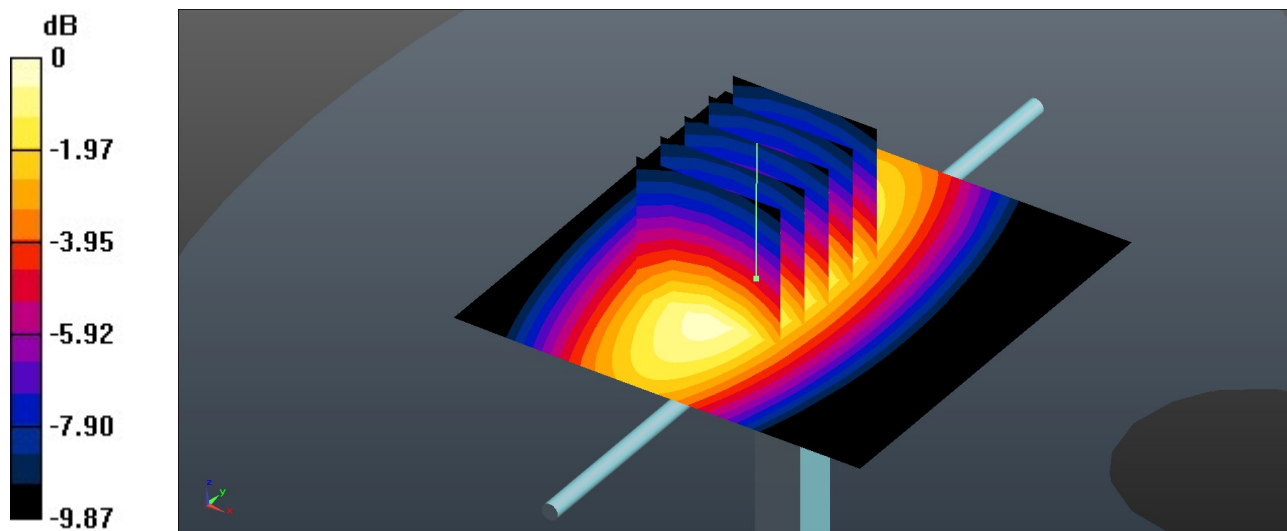
**Pin=50mW/Zoom Scan (5x5x7)/Cube 0:** Measurement grid:  $dx=8\text{mm}$ ,  $dy=8\text{mm}$ ,  $dz=5\text{mm}$

Reference Value = 23.49 V/m; Power Drift = 0.17 dB

Peak SAR (extrapolated) = 0.665 W/kg

**SAR(1 g) = 0.460 W/kg; SAR(10 g) = 0.308 W/kg**

Maximum value of SAR (measured) = 0.535 W/kg



0 dB = 0.535 W/kg = -2.72 dBW/kg

### System Check\_Head\_1750MHz

**DUT: D1750V2 - SN:1090**

Communication System: UID 0, CW (0); Frequency: 1750 MHz; Duty Cycle: 1:1  
Medium: HSL\_1750 Medium parameters used:  $f = 1750$  MHz;  $\sigma = 1.351$  S/m;  $\epsilon_r = 40.006$ ;  $\rho = 1000$  kg/m<sup>3</sup>

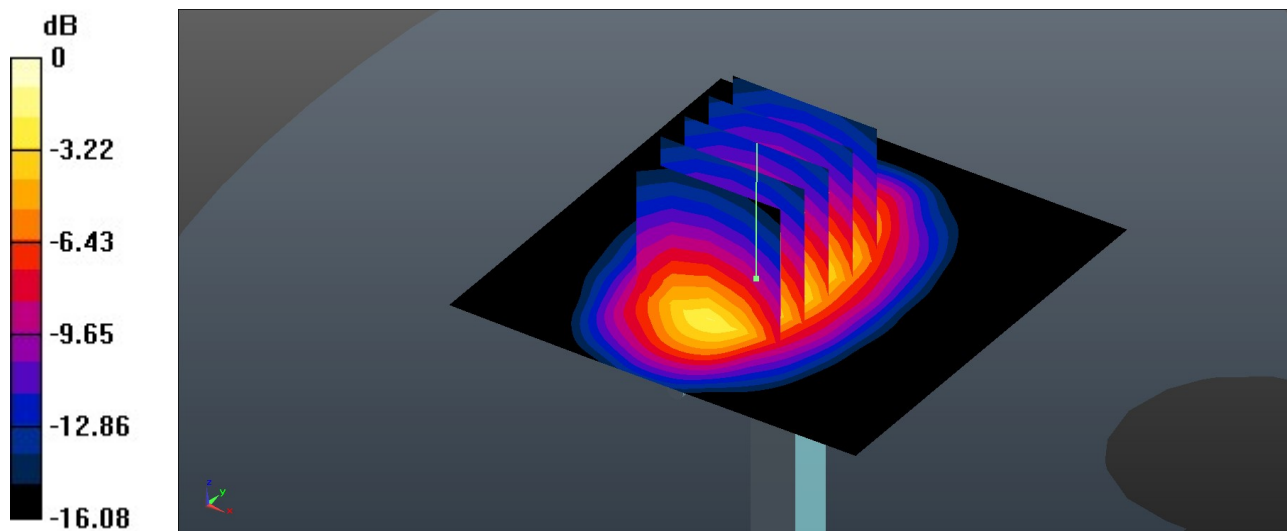
Ambient Temperature : 23.4 °C; Liquid Temperature : 22.6 °C

#### DASY5 Configuration:

- Probe: EX3DV4 - SN7641; ConvF(9.47, 9.47, 9.47); Calibrated: 2022/4/11
- Sensor-Surface: 1.4mm (Mechanical Surface Detection)
- Electronics: DAE4 Sn1338; Calibrated: 2021/12/1
- Phantom: SAM Twin Phantom; Type: SAM Twin; Serial: TP-1842
- Measurement SW: DASY52, Version 52.10 (4); SEMCAD X Version 14.6.14 (7483)

**Pin=50mW/Area Scan (61x61x1):** Interpolated grid: dx=1.500 mm, dy=1.500 mm  
Maximum value of SAR (interpolated) = 2.28 W/kg

**Pin=50mW/Zoom Scan (5x5x7)/Cube 0:** Measurement grid: dx=8mm, dy=8mm, dz=5mm  
Reference Value = 40.42 V/m; Power Drift = 0.14 dB  
Peak SAR (extrapolated) = 3.08 W/kg  
**SAR(1 g) = 1.74 W/kg; SAR(10 g) = 0.937 W/kg**  
Maximum value of SAR (measured) = 2.17 W/kg



0 dB = 2.17 W/kg = 3.36 dBW/kg

### System Check\_Head\_1900MHz

**DUT: D1900V2 - SN:5d182**

Communication System: UID 0, CW (0); Frequency: 1900 MHz; Duty Cycle: 1:1

Medium: HSL\_1900 Medium parameters used:  $f = 1900$  MHz;  $\sigma = 1.432$  S/m;  $\epsilon_r = 39.77$ ;  $\rho = 1000$  kg/m<sup>3</sup>

Ambient Temperature : 23.4 °C; Liquid Temperature : 22.6 °C

DASY5 Configuration:

- Probe: EX3DV4 - SN7641; ConvF(9.09, 9.09, 9.09); Calibrated: 2022/4/11
- Sensor-Surface: 1.4mm (Mechanical Surface Detection)
- Electronics: DAE4 Sn1338; Calibrated: 2021/12/1
- Phantom: SAM Twin Phantom; Type: SAM Twin; Serial: TP-1842
- Measurement SW: DASY52, Version 52.10 (4); SEMCAD X Version 14.6.14 (7483)

**Pin=50mW/Area Scan (61x61x1):** Interpolated grid: dx=1.500 mm, dy=1.500 mm  
Maximum value of SAR (interpolated) = 2.57 W/kg

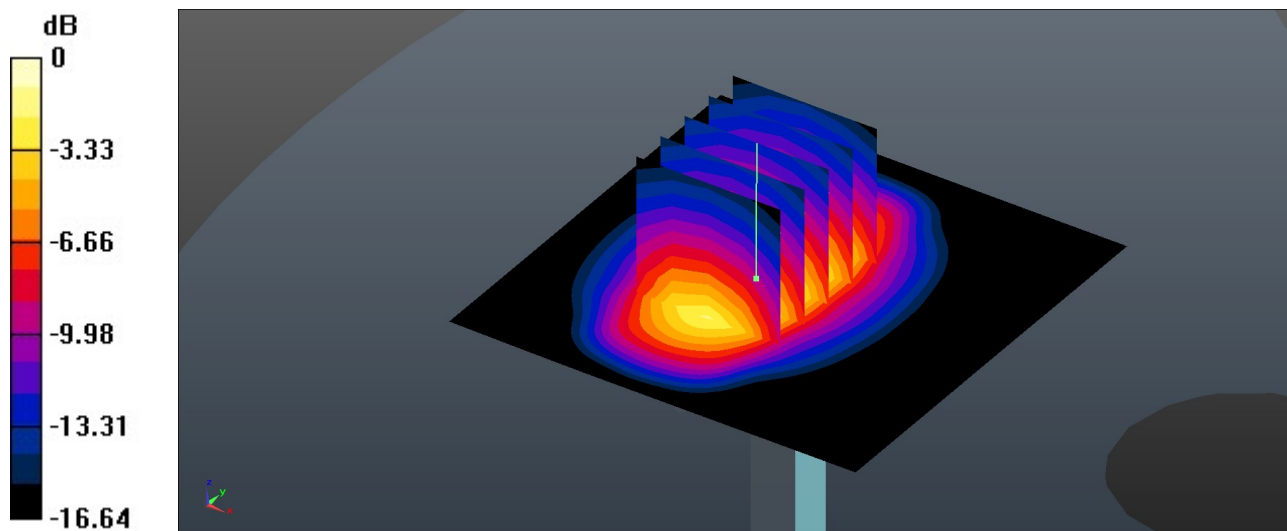
**Pin=50mW/Zoom Scan (5x5x7)/Cube 0:** Measurement grid: dx=8mm, dy=8mm, dz=5mm

Reference Value = 37.44 V/m; Power Drift = 0.09 dB

Peak SAR (extrapolated) = 3.55 W/kg

**SAR(1 g) = 1.97 W/kg; SAR(10 g) = 1.04 W/kg**

Maximum value of SAR (measured) = 2.48 W/kg



0 dB = 2.48 W/kg = 3.94 dBW/kg

### System Check\_Head\_2600MHz

**DUT: D2600V2 - SN:1061**

Communication System: UID 0, CW (0); Frequency: 2600 MHz; Duty Cycle: 1:1

Medium: HSL\_2600 Medium parameters used:  $f = 2600$  MHz;  $\sigma = 2.013$  S/m;  $\epsilon_r = 40.642$ ;  $\rho = 1000$  kg/m<sup>3</sup>

Ambient Temperature : 23.4 °C; Liquid Temperature : 22.6 °C

DASY5 Configuration:

- Probe: EX3DV4 - SN7641; ConvF(7.93, 7.93, 7.93); Calibrated: 2022/4/11
- Sensor-Surface: 1.4mm (Mechanical Surface Detection)
- Electronics: DAE4 Sn1338; Calibrated: 2021/12/1
- Phantom: SAM Twin Phantom; Type: SAM Twin; Serial: TP-1842
- Measurement SW: DASY52, Version 52.10 (4); SEMCAD X Version 14.6.14 (7483)

**Pin=50mW/Area Scan (81x81x1):** Interpolated grid: dx=1.200 mm, dy=1.200 mm  
Maximum value of SAR (interpolated) = 3.59 W/kg

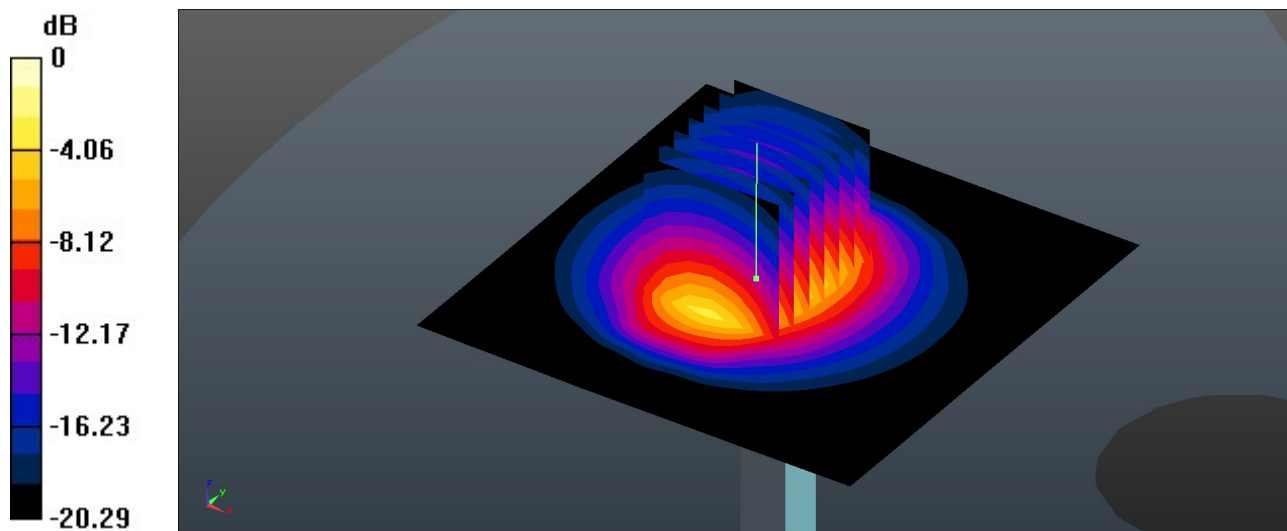
**Pin=50mW/Zoom Scan (7x7x7)/Cube 0:** Measurement grid: dx=5mm, dy=5mm, dz=5mm

Reference Value = 39.92 V/m; Power Drift = 0.07 dB

Peak SAR (extrapolated) = 5.55 W/kg

**SAR(1 g) = 2.71 W/kg; SAR(10 g) = 1.25 W/kg**

Maximum value of SAR (measured) = 3.61 W/kg



0 dB = 3.61 W/kg = 5.58 dBW/kg

### System Check\_Head\_3500MHz

**DUT: D3500V2 - SN:1037**

Communication System: UID 0, CW (0); Frequency: 3500 MHz; Duty Cycle: 1:1

Medium: HSL\_3500 Medium parameters used:  $f = 3500$  MHz;  $\sigma = 2.808$  S/m;  $\epsilon_r = 39.002$ ;  $\rho = 1000$  kg/m<sup>3</sup>

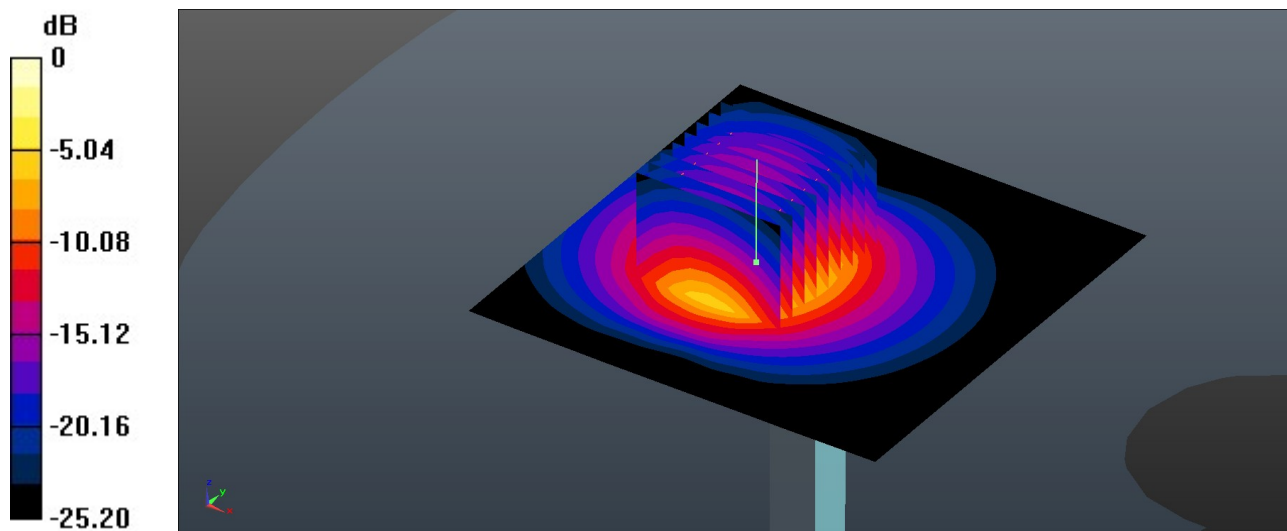
Ambient Temperature : 23.1 °C; Liquid Temperature : 22.7 °C

DASY5 Configuration:

- Probe: EX3DV4 - SN7641; ConvF(7.33, 7.33, 7.33); Calibrated: 2022/4/11
- Sensor-Surface: 1.4mm (Mechanical Surface Detection)
- Electronics: DAE4 Sn1338; Calibrated: 2021/12/1
- Phantom: SAM Twin Phantom; Type: SAM Twin; Serial: TP-1842
- Measurement SW: DASY52, Version 52.10 (4); SEMCAD X Version 14.6.14 (7483)

**Pin=50mW/Area Scan (91x91x1):** Interpolated grid: dx=1.000 mm, dy=1.000 mm  
Maximum value of SAR (interpolated) = 5.82 W/kg

**Pin=50mW/Zoom Scan (9x9x7)/Cube 0:** Measurement grid: dx=4mm, dy=4mm, dz=1.4mm  
Reference Value = 29.18 V/m; Power Drift = 0.06 dB  
Peak SAR (extrapolated) = 7.48 W/kg  
**SAR(1 g) = 3.18 W/kg; SAR(10 g) = 1.23 W/kg**  
Maximum value of SAR (measured) = 5.81 W/kg



0 dB = 5.81 W/kg = 7.64 dBW/kg



### System Check\_Head\_3700MHz

**DUT: D3700V2 - SN:1008**

Communication System: UID 0, CW (0); Frequency: 3700 MHz; Duty Cycle: 1:1

Medium: HSL\_3700 Medium parameters used:  $f = 3700$  MHz;  $\sigma = 2.994$  S/m;  $\epsilon_r = 38.681$ ;  $\rho = 1000$  kg/m<sup>3</sup>

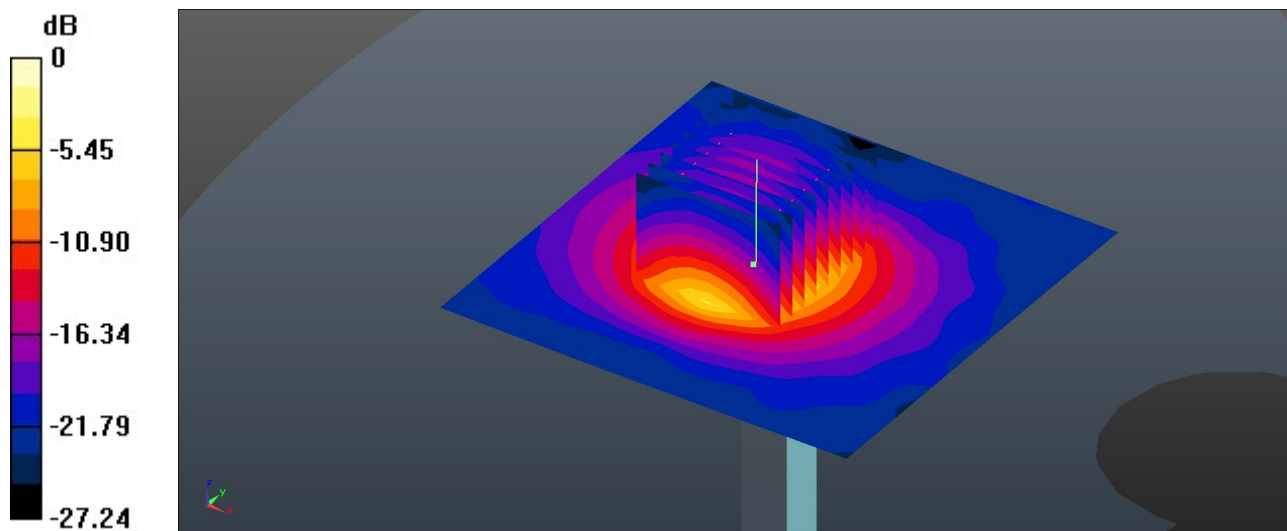
Ambient Temperature : 23.2 °C; Liquid Temperature : 22.7 °C

DASY5 Configuration:

- Probe: EX3DV4 - SN7641; ConvF(7.13, 7.13, 7.13); Calibrated: 2022/4/11
- Sensor-Surface: 1.4mm (Mechanical Surface Detection)
- Electronics: DAE4 Sn1338; Calibrated: 2021/12/1
- Phantom: SAM Twin Phantom; Type: SAM Twin; Serial: TP-1842
- Measurement SW: DASY52, Version 52.10 (4); SEMCAD X Version 14.6.14 (7483)

**Pin=50mW/Area Scan (91x91x1):** Interpolated grid: dx=1.000 mm, dy=1.000 mm  
Maximum value of SAR (interpolated) = 4.23 W/kg

**Pin=50mW/Zoom Scan (9x9x7)/Cube 0:** Measurement grid: dx=4mm, dy=4mm, dz=1.4mm  
Reference Value = 33.48 V/m; Power Drift = 0.04 dB  
Peak SAR (extrapolated) = 5.58 W/kg  
**SAR(1 g) = 3.38 W/kg; SAR(10 g) = 1.25 W/kg**  
Maximum value of SAR (measured) = 4.08 W/kg



0 dB = 4.08 W/kg = 6.11 dBW/kg

### System Check\_Head\_3900MHz

**DUT: D3900V2 - SN:1048**

Communication System: UID 0, CW (0); Frequency: 3900 MHz; Duty Cycle: 1:1

Medium: HSL\_3900 Medium parameters used:  $f = 3900$  MHz;  $\sigma = 3.194$  S/m;  $\epsilon_r = 38.385$ ;  $\rho = 1000$  kg/m<sup>3</sup>

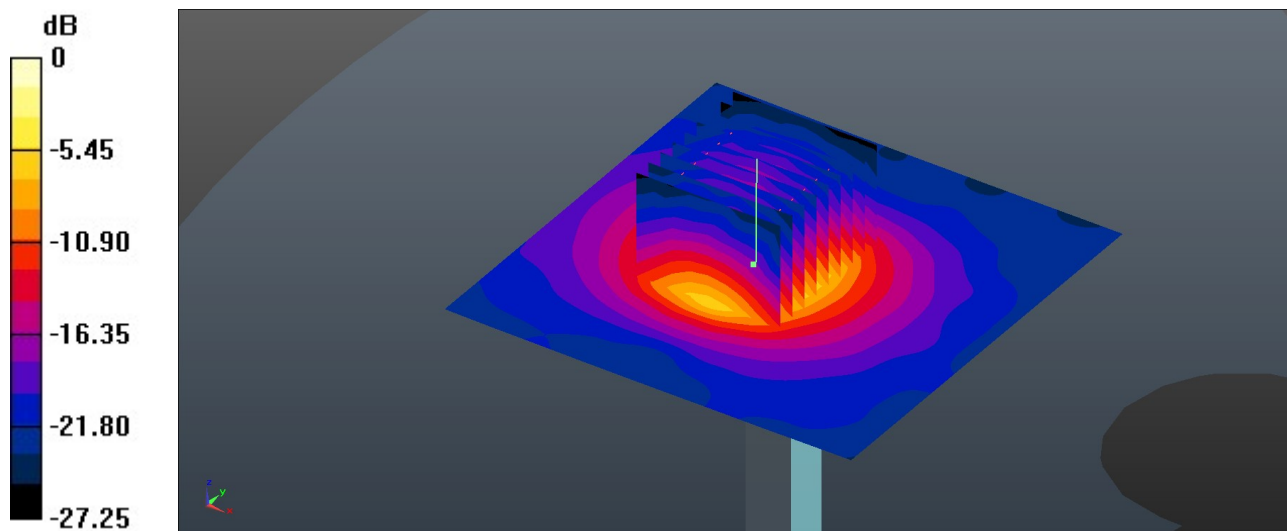
Ambient Temperature : 23.3 °C; Liquid Temperature : 22.7 °C

DASY5 Configuration:

- Probe: EX3DV4 - SN7729; ConvF(6.68, 6.68, 6.68) ; Calibrated: 2022/5/30
- Sensor-Surface: 1.4mm (Mechanical Surface Detection)
- Electronics: DAE4 Sn1338; Calibrated: 2021/12/1
- Phantom: SAM Twin Phantom; Type: SAM Twin; Serial: TP-1842
- Measurement SW: DASY52, Version 52.10 (4); SEMCAD X Version 14.6.14 (7483)

**Pin=50mW/Area Scan (91x91x1):** Interpolated grid: dx=1.000 mm, dy=1.000 mm  
Maximum value of SAR (interpolated) = 4.46 W/kg

**Pin=50mW/Zoom Scan (9x9x7)/Cube 0:** Measurement grid: dx=4mm, dy=4mm, dz=1.4mm  
Reference Value = 32.98 V/m; Power Drift = 0.09 dB  
Peak SAR (extrapolated) = 5.82 W/kg  
**SAR(1 g) = 3.36 W/kg; SAR(10 g) = 1.18 W/kg**  
Maximum value of SAR (measured) = 4.29 W/kg



0 dB = 4.29 W/kg = 6.32 dBW/kg

### System Check\_Head\_2450MHz

**DUT: D2450V2 - SN:1040**

Communication System: UID 0, CW (0); Frequency: 2450 MHz; Duty Cycle: 1:1

Medium: HSL\_2450 Medium parameters used:  $f = 2450$  MHz;  $\sigma = 1.831$  S/m;  $\epsilon_r = 37.489$ ;  $\rho = 1000$

kg/m<sup>3</sup>

Ambient Temperature : 23.2 °C; Liquid Temperature : 22.8 °C

DASY5 Configuration:

- Probe: EX3DV4 - SN7729; ConvF(7.99, 7.99, 7.99); Calibrated: 2022/5/30

- Sensor-Surface: 1.4mm (Mechanical Surface Detection)

- Electronics: DAE4 Sn1691; Calibrated: 2021/10/4

- Phantom: SAM Twin Phantom; Type: SAM Twin; Serial: TP-2022

- Measurement SW: DASY52, Version 52.10 (4); SEMCAD X Version 14.6.14 (7483)

**Pin=50mW/Area Scan (71x71x1):** Interpolated grid: dx=1.200 mm, dy=1.200 mm

Maximum value of SAR (interpolated) = 4.20 W/kg

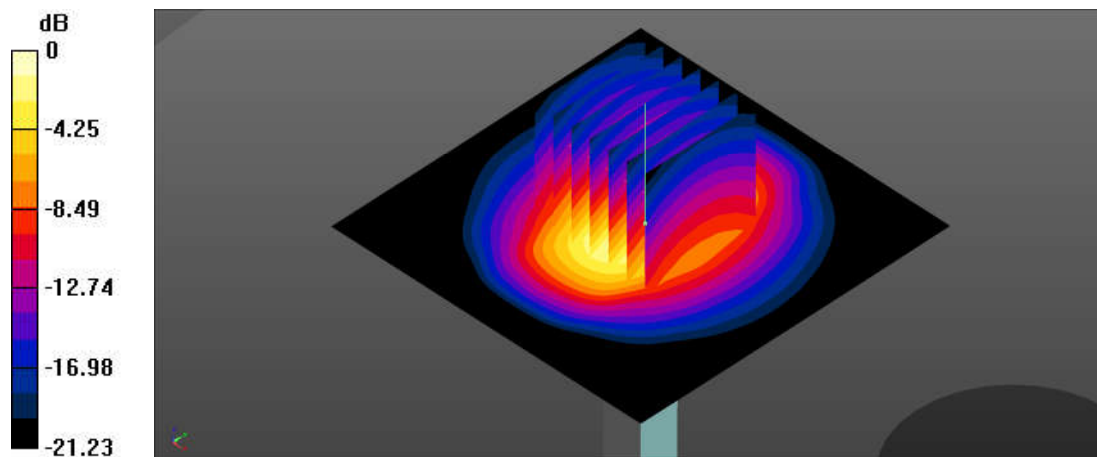
**Pin=50mW/Zoom Scan (7x7x7)/Cube 0:** Measurement grid: dx=5mm, dy=5mm, dz=5mm

Reference Value = 49.39 V/m; Power Drift = -0.11 dB

Peak SAR (extrapolated) = 5.21 W/kg

**SAR(1 g) = 2.53 W/kg; SAR(10 g) = 1.19 W/kg**

Maximum value of SAR (measured) = 4.22 W/kg



0 dB = 4.22 W/kg = 6.25 dBW/kg

### System Check\_Head\_5250MHz

#### DUT: D5GHzV2 - SN:1113

Communication System: UID 0, CW (0); Frequency: 5250 MHz; Duty Cycle: 1:1

Medium: HSL\_5000 Medium parameters used:  $f = 5250$  MHz;  $\sigma = 4.64$  S/m;  $\epsilon_r = 36.528$ ;  $\rho = 1000$  kg/m<sup>3</sup>

Ambient Temperature : 23.3 °C; Liquid Temperature : 22.7 °C

#### DASY5 Configuration:

- Probe: EX3DV4 - SN7729; ConvF(5.9, 5.9, 5.9); Calibrated: 2022/5/30
- Sensor-Surface: 1.4mm (Mechanical Surface Detection)
- Electronics: DAE4 Sn1691; Calibrated: 2021/10/4
- Phantom: SAM Twin Phantom; Type: SAM Twin; Serial: TP-2022
- Measurement SW: DASY52, Version 52.10 (4); SEMCAD X Version 14.6.14 (7483)

**Pin=50mW/Area Scan (91x91x1):** Interpolated grid: dx=1.000 mm, dy=1.000 mm

Maximum value of SAR (interpolated) = 8.33 W/kg

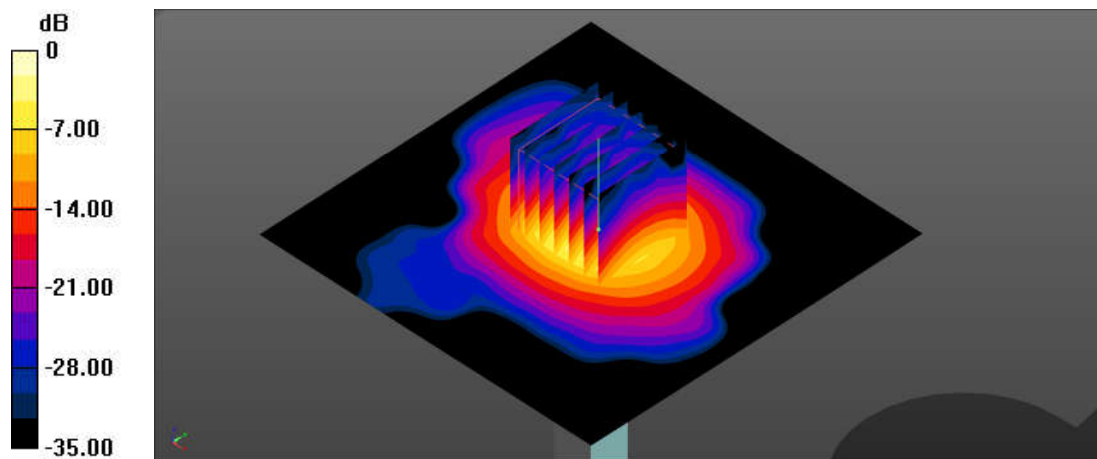
**Pin=50mW/Zoom Scan (7x7x7)/Cube 0:** Measurement grid: dx=4mm, dy=4mm, dz=1.4mm

Reference Value = 48.08 V/m; Power Drift = -0.02 dB

Peak SAR (extrapolated) = 14.1 W/kg

**SAR(1 g) = 3.8 W/kg; SAR(10 g) = 1.1 W/kg**

Maximum value of SAR (measured) = 9.24 W/kg



0 dB = 9.24 W/kg = 9.66 dBW/kg

### System Check\_Head\_5600MHz

**DUT: D5GHzV2 - SN:1113**

Communication System: UID 0, CW (0); Frequency: 5600 MHz; Duty Cycle: 1:1

Medium: HSL\_5000 Medium parameters used:  $f = 5600$  MHz;  $\sigma = 4.989$  S/m;  $\epsilon_r = 35.907$ ;  $\rho = 1000$  kg/m<sup>3</sup>

Ambient Temperature : 23.2 °C; Liquid Temperature : 22.8 °C

DASY5 Configuration:

- Probe: EX3DV4 - SN7729; ConvF(5.26, 5.26, 5.26); Calibrated: 2022/5/30
- Sensor-Surface: 1.4mm (Mechanical Surface Detection)
- Electronics: DAE4 Sn1691; Calibrated: 2021/10/4
- Phantom: SAM Twin Phantom; Type: SAM Twin; Serial: TP-2022
- Measurement SW: DASY52, Version 52.10 (4); SEMCAD X Version 14.6.14 (7483)

**Pin=50mW/Area Scan (91x91x1):** Interpolated grid: dx=1.000 mm, dy=1.000 mm

Maximum value of SAR (interpolated) = 9.49 W/kg

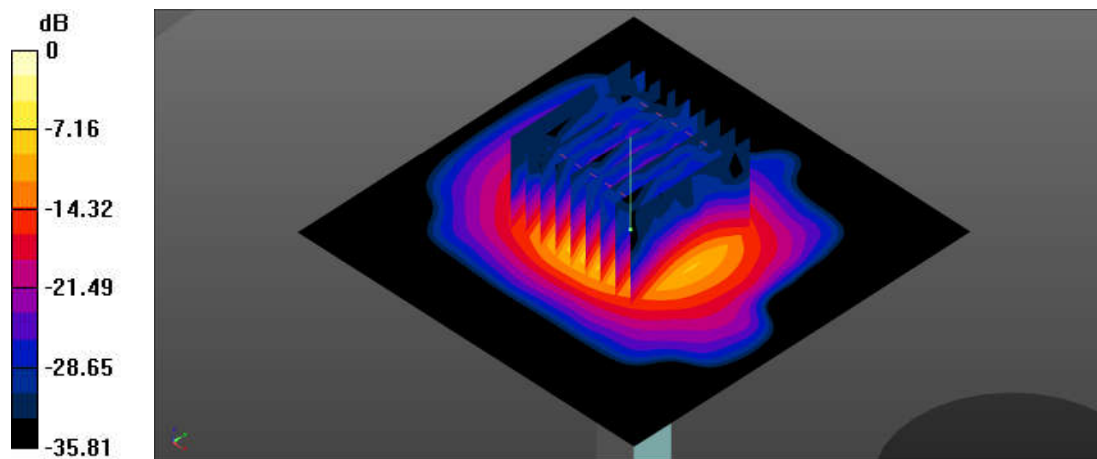
**Pin=50mW/Zoom Scan (9x9x7)/Cube 0:** Measurement grid: dx=4mm, dy=4mm, dz=1.4mm

Reference Value = 49.88 V/m; Power Drift = -0.01 dB

Peak SAR (extrapolated) = 15.6 W/kg

**SAR(1 g) = 3.98 W/kg; SAR(10 g) = 1.14 W/kg**

Maximum value of SAR (measured) = 9.92 W/kg



0 dB = 9.92 W/kg = 9.97 dBW/kg

### System Check\_Head\_5750MHz

#### DUT: D5GHzV2 - SN:1113

Communication System: UID 0, CW (0); Frequency: 5750 MHz; Duty Cycle: 1:1

Medium: HSL\_5000 Medium parameters used:  $f = 5750 \text{ MHz}$ ;  $\sigma = 5.215 \text{ S/m}$ ;  $\epsilon_r = 35.594$ ;  $\rho = 1000 \text{ kg/m}^3$

Ambient Temperature : 23.3 °C; Liquid Temperature : 22.6 °C

#### DASY5 Configuration:

- Probe: EX3DV4 - SN7729; ConvF(5.31, 5.31, 5.31); Calibrated: 2022/5/30
- Sensor-Surface: 1.4mm (Mechanical Surface Detection)
- Electronics: DAE4 Sn1691; Calibrated: 2021/10/4
- Phantom: SAM Twin Phantom; Type: SAM Twin; Serial: TP-2022
- Measurement SW: DASY52, Version 52.10 (4); SEMCAD X Version 14.6.14 (7483)

**Pin=50mW/Area Scan (91x91x1):** Interpolated grid: dx=1.000 mm, dy=1.000 mm

Maximum value of SAR (interpolated) = 8.72 W/kg

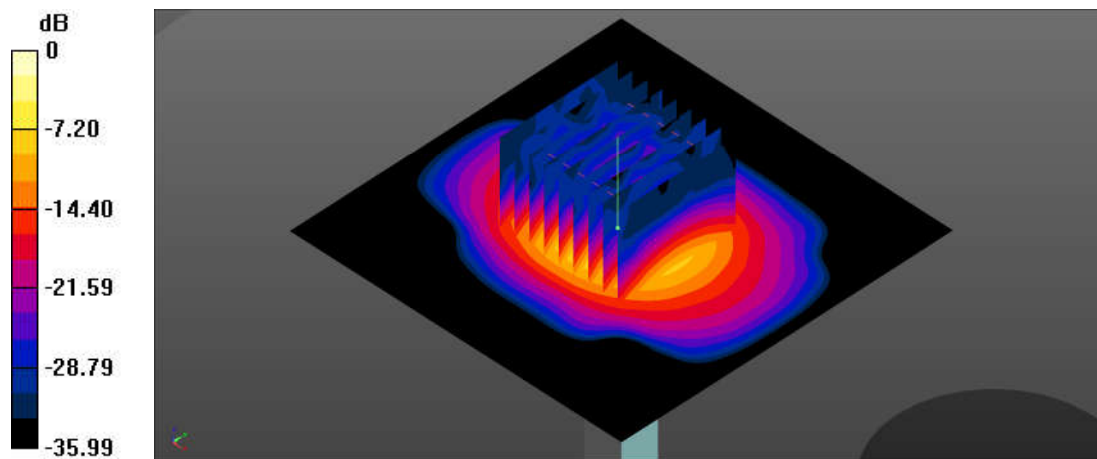
**Pin=50mW/Zoom Scan (9x9x7)/Cube 0:** Measurement grid: dx=4mm, dy=4mm, dz=1.4mm

Reference Value = 46.88 V/m; Power Drift = -0.07 dB

Peak SAR (extrapolated) = 15.4 W/kg

**SAR(1 g) = 3.73 W/kg; SAR(10 g) = 1.07 W/kg**

Maximum value of SAR (measured) = 9.50 W/kg



0 dB = 9.50 W/kg = 9.78 dBW/kg

### System Check\_Head\_5250MHz

**DUT: D5GHzV2 - SN:1113**

Communication System: UID 0, CW (0); Frequency: 5250 MHz; Duty Cycle: 1:1

Medium: HSL\_5000 Medium parameters used:  $f = 5250$  MHz;  $\sigma = 4.586$  S/m;  $\epsilon_r = 36.311$ ;  $\rho = 1000$  kg/m<sup>3</sup>

Ambient Temperature : 23.3 °C; Liquid Temperature : 22.7 °C

DASY5 Configuration:

- Probe: EX3DV4 - SN7729; ConvF(5.9, 5.9, 5.9); Calibrated: 2022/5/30
- Sensor-Surface: 1.4mm (Mechanical Surface Detection)
- Electronics: DAE4 Sn1691; Calibrated: 2021/10/4
- Phantom: SAM Twin Phantom; Type: SAM Twin; Serial: TP-2022
- Measurement SW: DASY52, Version 52.10 (4); SEMCAD X Version 14.6.14 (7483)

**Pin=50mW/Area Scan (91x91x1):** Interpolated grid: dx=1.000 mm, dy=1.000 mm  
Maximum value of SAR (interpolated) = 8.78 W/kg

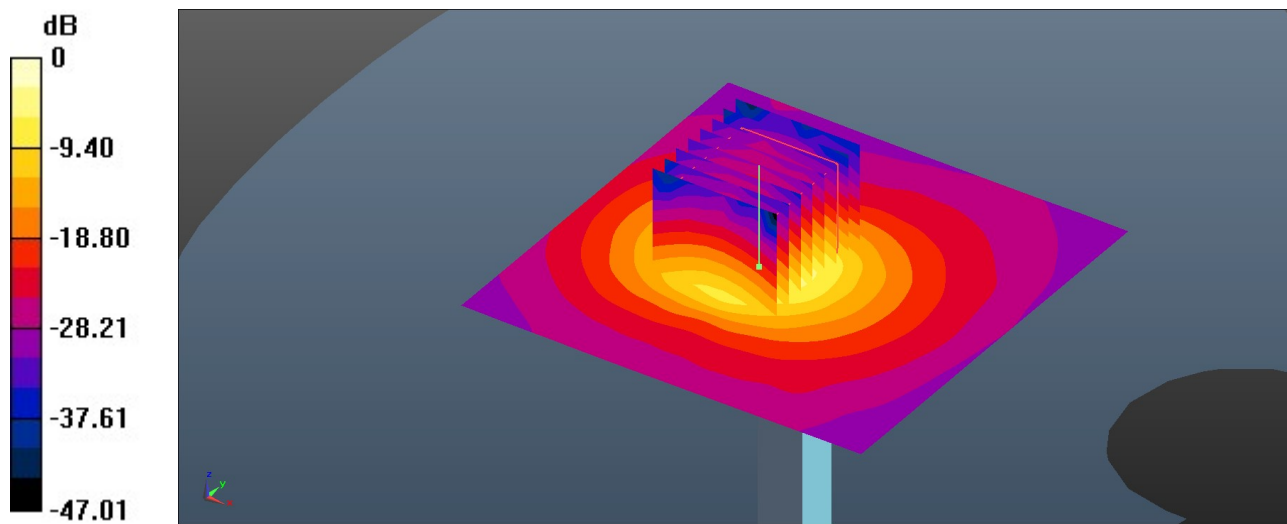
**Pin=50mW/Zoom Scan (8x8x7)/Cube 0:** Measurement grid: dx=4mm, dy=4mm, dz=1.4mm

Reference Value = 36.07 V/m; Power Drift = 0.09 dB

Peak SAR (extrapolated) = 13.9 W/kg

**SAR(1 g) = 3.73 W/kg; SAR(10 g) = 1.08 W/kg**

Maximum value of SAR (measured) = 9.01 W/kg



0 dB = 9.01 W/kg = 9.55 dBW/kg



### System Check\_Head\_5600MHz

**DUT: D5GHzV2 - SN:1113**

Communication System: UID 0, CW (0); Frequency: 5600 MHz; Duty Cycle: 1:1  
Medium: HSL\_5000 Medium parameters used:  $f = 5600$  MHz;  $\sigma = 4.954$  S/m;  $\epsilon_r = 35.751$ ;  $\rho = 1000$  kg/m<sup>3</sup>

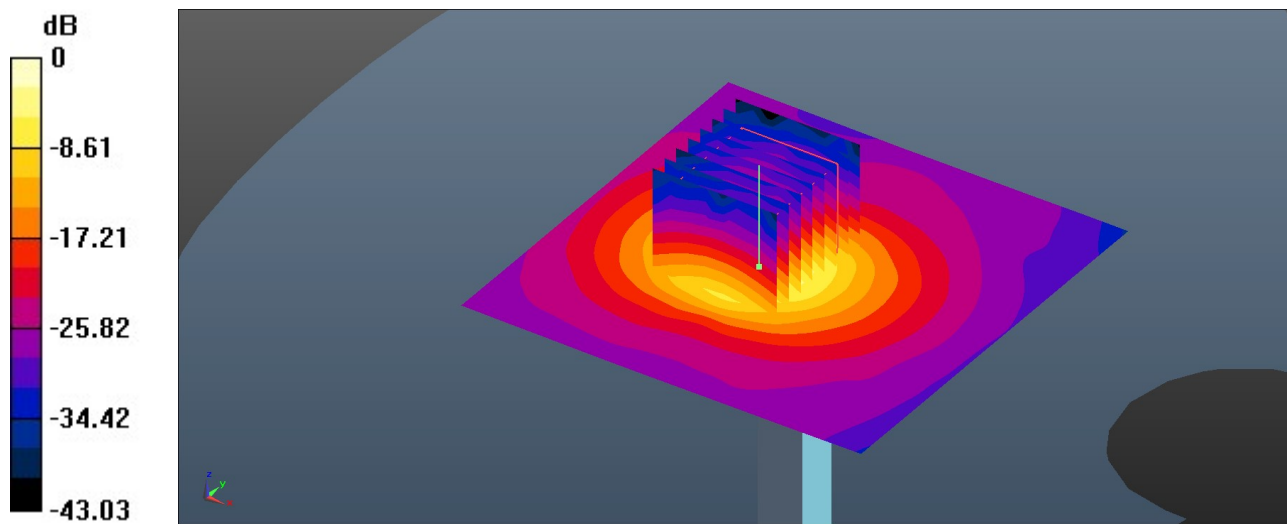
Ambient Temperature : 23.3 °C; Liquid Temperature : 22.7 °C

DASY5 Configuration:

- Probe: EX3DV4 - SN7729; ConvF(5.26, 5.26, 5.26); Calibrated: 2022/5/30
- Sensor-Surface: 1.4mm (Mechanical Surface Detection)
- Electronics: DAE4 Sn1691; Calibrated: 2021/10/4
- Phantom: SAM Twin Phantom; Type: SAM Twin; Serial: TP-2022
- Measurement SW: DASY52, Version 52.10 (4); SEMCAD X Version 14.6.14 (7483)

**Pin=50mW/Area Scan (91x91x1):** Interpolated grid: dx=1.000 mm, dy=1.000 mm  
Maximum value of SAR (interpolated) = 9.91 W/kg

**Pin=50mW/Zoom Scan (8x8x7)/Cube 0:** Measurement grid: dx=4mm, dy=4mm, dz=1.4mm  
Reference Value = 36.78 V/m; Power Drift = 0.03 dB  
Peak SAR (extrapolated) = 16.5 W/kg  
**SAR(1 g) = 4.04 W/kg; SAR(10 g) = 1.15 W/kg**  
Maximum value of SAR (measured) = 10.2 W/kg



0 dB = 10.2 W/kg = 10.09 dBW/kg

### System Check\_Head\_2600MHz

**DUT: D2600V2 - SN:1061**

Communication System: UID 0, CW (0); Frequency: 2600 MHz; Duty Cycle: 1:1

Medium: HSL\_2600 Medium parameters used:  $f = 2600$  MHz;  $\sigma = 2.009$  S/m;  $\epsilon_r = 40.523$ ;  $\rho = 1000$  kg/m<sup>3</sup>

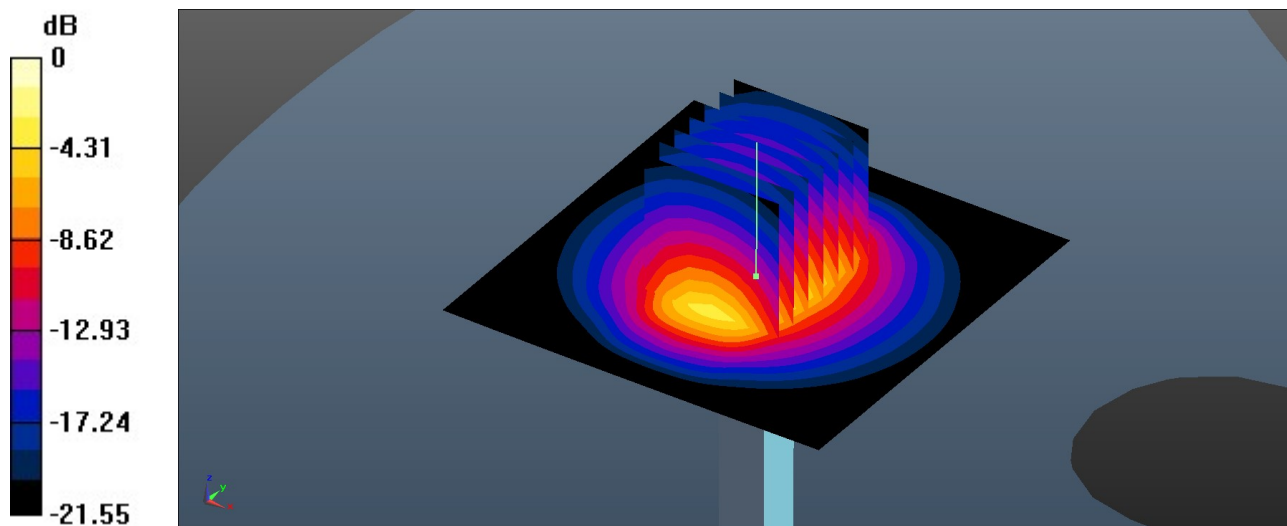
Ambient Temperature : 23.1 °C; Liquid Temperature : 22.6 °C

DASY5 Configuration:

- Probe: EX3DV4 - SN7641; ConvF(7.93, 7.93, 7.93); Calibrated: 2022/4/11
- Sensor-Surface: 1.4mm (Mechanical Surface Detection)
- Electronics: DAE4 Sn1338; Calibrated: 2021/12/1
- Phantom: SAM Twin Phantom; Type: SAM Twin; Serial: TP-1842
- Measurement SW: DASY52, Version 52.10 (4); SEMCAD X Version 14.6.14 (7483)

**Pin=50mW/Area Scan (71x71x1):** Interpolated grid: dx=1.200 mm, dy=1.200 mm  
Maximum value of SAR (interpolated) = 4.59 W/kg

**Pin=50mW/Zoom Scan (7x7x7)/Cube 0:** Measurement grid: dx=5mm, dy=5mm, dz=5mm  
Reference Value = 49.41 V/m; Power Drift = -0.14 dB  
Peak SAR (extrapolated) = 5.67 W/kg  
**SAR(1 g) = 2.7 W/kg; SAR(10 g) = 1.24 W/kg**  
Maximum value of SAR (measured) = 4.56 W/kg



0 dB = 4.56 W/kg = 6.59 dBW/kg