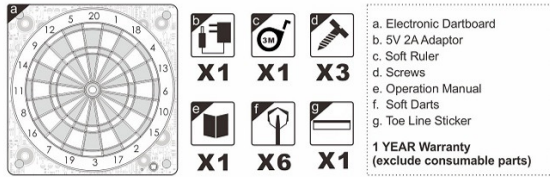




GUZ<sup>2</sup>

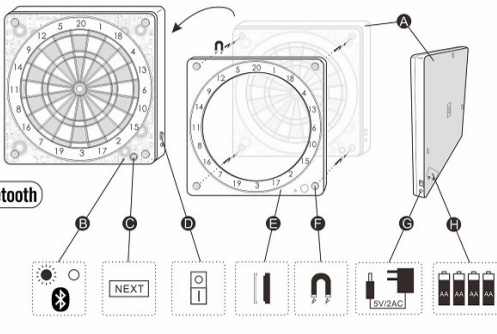
FCC ID:2AFZWGDB-GZ003



DIMENSION & WEIGHT	
Outer Dimension	497mm * 497mm * 42mm
Target Area Dimension	15.5" (Worldwide Standard)
Weight	4.5 kg (Net Weight of Dartboard Only)

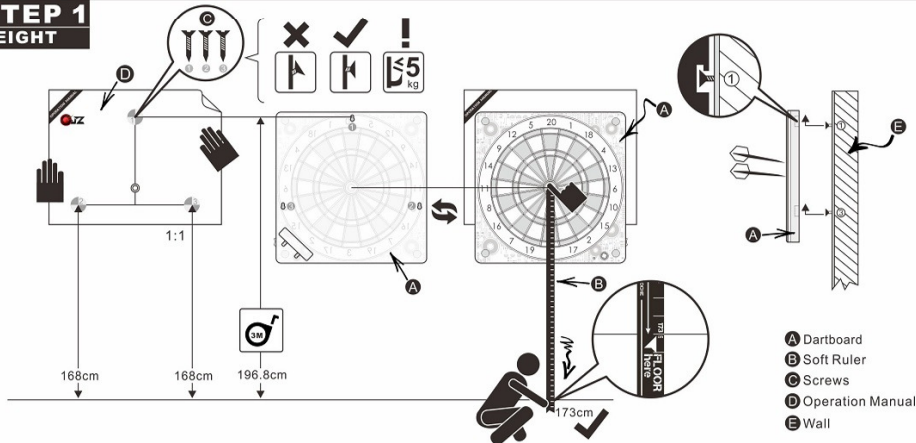
APP REQUIREMENT		
Apple	Android	Bluetooth
iOS 7 or above	Android 4.4 or above	Bluetooth 4.0

- A Dartboard
- B Indicator Light
- C Button
- D ON/OFF Switch
- E Changeable Cover
- F Magnet
- G AC Adaptor
- H AA Battery Box
- I GUZ App



FUNCTION & FEATURES
✓ APPS Support
✓ Max 8 Players (per game)
✓ Dynamic Sound Effects
✓ LED Hints
✓ Optional LED Lighting Effects
✓ User Friendly App Interface
✓ Changeable Cover
✓ Shining Outlook
✓ Online Battle (single / team)
✓ Global Ranking System

**STEP 1**  
HEIGHT



- A Dartboard
- B Soft Ruler
- C Screws
- D Operation Manual
- E Wall

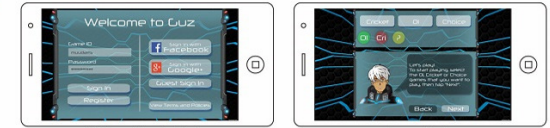
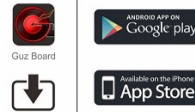
Non-rechargeable batteries are not to be recharged. Rechargeable batteries are to be removed from the appliance before being charged. Different types of batteries or new and used batteries are not to be mixed. Batteries are to be inserted with the correct polarity. Exhausted batteries are to be removed from the appliance and safely disposed of. If the appliance is to be stored unused for a long period, the batteries are removed. The supply terminals are not to be short-circuited.

Game Start

196.8cm



**Game Mode:**  
Different games can be selected such as 01 or Cricket, all game result will be recorded and giving users a rating. Game support local and online players for battle. Different Board LED mode can also be set.



**Different Login Mode:**  
User can login by creating GUZ game ID, using Facebook or Google+ to login. For no internet connection, only guest can be login.



**Game Mode:**  
01, Cricket game or choice.



**Game Option:**  
Including in/out option, ball setting, rounds in 01. Normal or Cut-throat in Cricket.



**Support Multiple Players:**  
Local and online players can form team or individual battle in the same game, max 4 team 8 people



**Apps Setting:**  
User can select background of SFX on/off, Board LED mode (all on, board only, side only, all off).



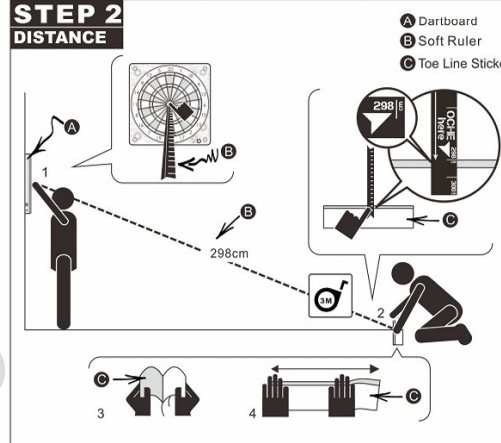
**01 Game:**  
301, 501, 701, 901 and 1101.



**Cricket Game:**  
Normal or Cut-throat cricket.



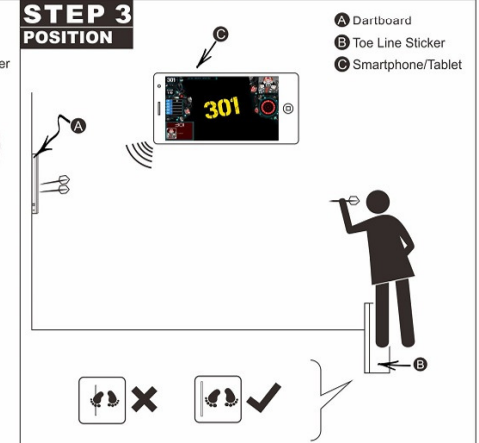
**STEP 2**  
DISTANCE



- A Dartboard
- B Soft Ruler
- C Toe Line Sticker

173cm

**STEP 3**  
POSITION



- A Dartboard
- B Toe Line Sticker
- C Smartphone/Tablet

This appliance can be used by children aged from 8 years and above and persons with reduced physical, sensory or mental capabilities or lack of experience and knowledge if they have been given supervision or instruction concerning use of the appliance in a safe way and understand the hazards involved. Cleaning and user maintenance shall not be made by children without supervision. Children shall not play with the appliance. The appliance is only to be used with the power supply unit provided with the appliance.

22.1cm

168cm

22.1cm

Caution: changes or modifications not expressly approved by the party responsible for compliance could void the user's authority to operate the equipment. Note: This equipment has been tested and found to comply with the limits for a Class B digital device, pursuant to part 15 of the FCC Rules. These limits are designed to provide reasonable protection against harmful interference in a residential installation. This equipment generates uses and can radiate radio frequency energy and, if not installed and used in accordance with the instructions, may cause harmful interference to radio communications. However, there is no guarantee that interference will not occur in a particular

installation. If this equipment does cause harmful interference to radio or television reception, which can be determined by turning the equipment off and on, the user is encouraged to try to correct the interference by one or more of the following measures: Reorient or relocate the receiving antenna. Increase the separation between the equipment and receiver. Connect the equipment into an outlet on a circuit different from that to which the receiver is connected. Consult the dealer or an experienced radio/TV technician for help.