

Iton Technology Corp., Ltd

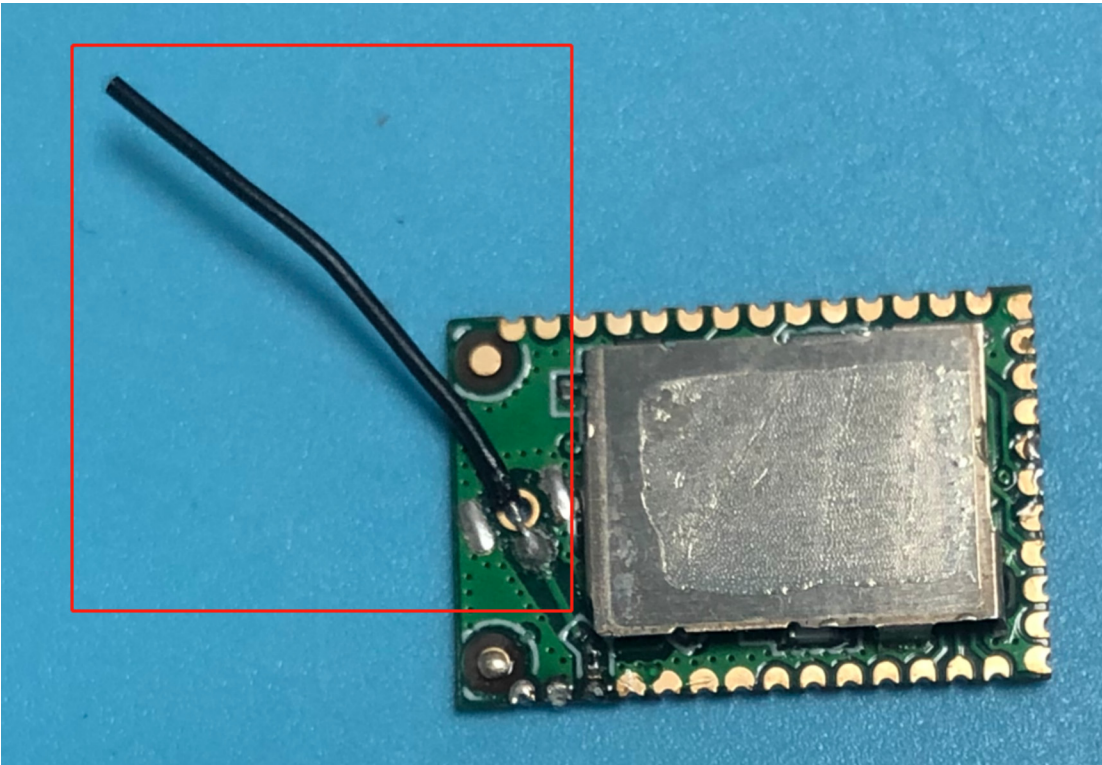
Room 1302, Block A, Building 4, TianAn Cyber Park, HuangGe North Road,
LongGang District, Shenzhen, Guangdong, China 518172

Model No. 2.4Ghz antenna
Note:2.4Ghz-2.5Ghz,0dBi gain

1.PRODUCT TECHNICAL SPECIFICATION

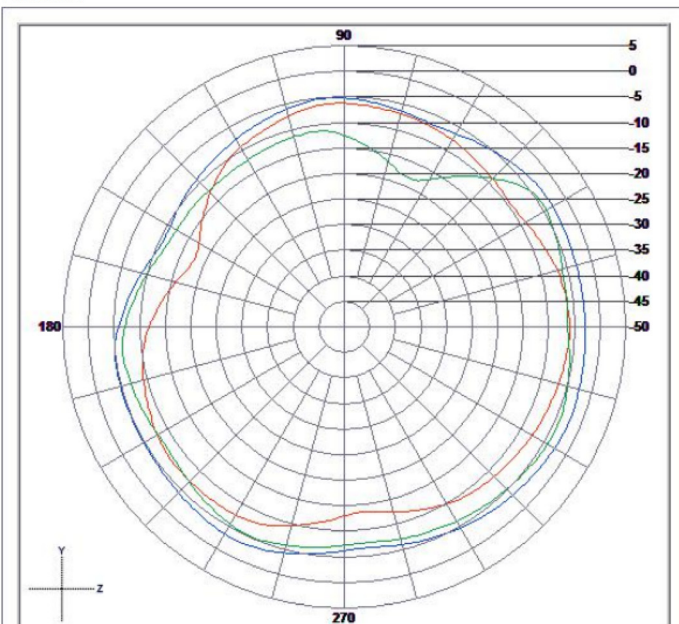
Electrical Specifications	
Centre Frequency	2.4Ghz-2.5Ghz
Gain	0dBi
VSWR	≤1.5
Input Impedance	50Ω
Polarization	Vertical
Max Input Power (W)	50
Mechanical Specifications	
Working Temperature	-40°C~ + 85°C
Size	28±2mm
Color	Black

2.PRODUCT PICTURE



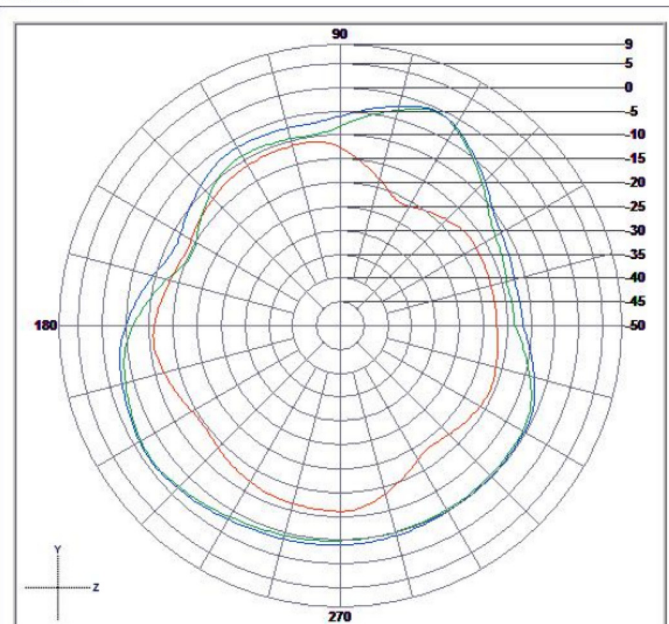
Pattern:

2400MHz



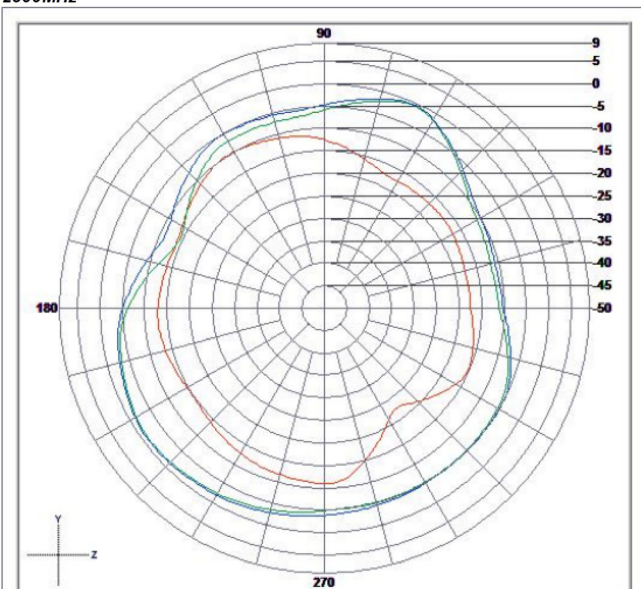
	Vertical	Horizontal
Avg. Gain	-8.4	-6.99
Peak Gain	-5.48	-3.77

2440MHz



	Vertical	Horizontal
Avg. Gain	-13.34	-5.06
Peak Gain	-10.3	-0.09

2500MHz



	Vertical	Horizontal
Avg. Gain	-13.42	-4.6
Peak Gain	-9.47	0