



# Quick Start Guide

## Digital Media Receiver



To download the complete, model-specific manual, please visit [www.dualav.com/support/manuals.php](http://www.dualav.com/support/manuals.php) or call 1-866-382-5476, 9AM-5PM EST (Monday-Friday).

## Installation

### Before You Start

- Consult a qualified technician for instructions. Dual always recommends professional installation.
- Disconnect negative battery terminal.
- Remove trim ring from unit (if installed).

**Note:** Most vehicles require an installation kit, wiring harness and/or antenna adapter (all sold separately) to properly install the head unit in the vehicle.

### Installation Process

1. Carefully remove the existing head unit.
2. Connect wiring harness. Consult a qualified technician if you are unsure.
3. Mount the head unit using ISO brackets (depending on your vehicle's dashboard).
4. Connect wiring harness and antenna. Test the head unit for correct operation.
5. Mount the ISO brackets to the vehicle.
6. Snap trim ring into place.

### Wiring Connections

The chart below the connection for each wire in the wiring harness.

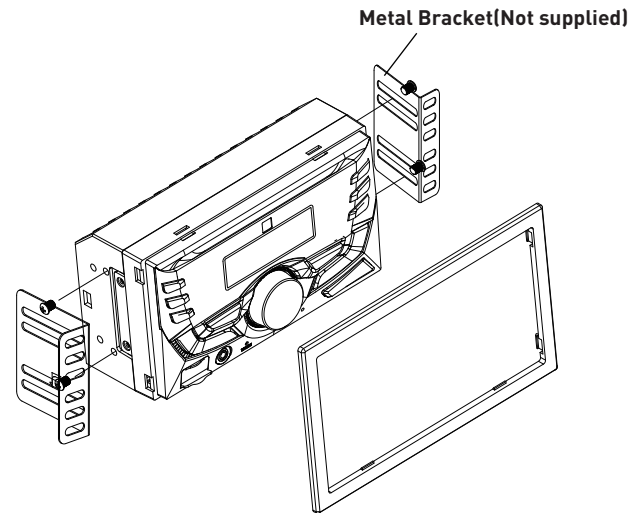
Color	Connection
Red	12V Ignition / Accessory
Yellow	12V Battery / Memory
Black	Ground
Blue	Power Antenna / Amp Turn-on
White	Left Front (+)
White/Black	Left Front (-)
Gray	Right Front (+)
Gray/Black	Right Front (-)
Green	Left Rear (+)
Green/Black	Left Rear (-)
Violet	Right Rear (+)
Violet/Black	Right Rear (-)

**Tip:**  
When a suitable ground wire is not present in the vehicle wiring harness, connect the black ground wire to the vehicle chassis.

**Fuse:**  
When replacing the fuse, make sure new fuse is the correct type and amperage. Using an incorrect fuse could damage the radio.

### Mounting the Head Unit: ISO mounting

Using the existing brackets or the brackets supplied with the installation kit, mount the brackets to the sides of the head unit with the screws supplied with the head unit.



## General Operation

<b>Power On/Off</b>	Press the <b>⏻</b> button to turn the unit on. Press <b>⏻</b> again to turn unit off.
<b>Changing Modes</b>	Press <b>MODE</b> to select between Radio, USB, Bluetooth, AUX. Modes of operation are shown in the display.
<b>Volume</b>	Adjust volume using volume knob.
<b>Mute</b>	Press <b>⏸</b> to silence the audio. Press <b>⏸</b> again to resume listening at the previously selected volume.
<b>Auxiliary Inputs</b>	Insert a 3.5mm cable in the units front AUX port.
<b>Reset</b>	Press the <b>RESET</b> button to reset the unit back to the factory settings if abnormal operation occurs. The reset button is located on the front panel.
<b>Setting the Clock</b>	With the unit on, press <b>DISP</b> to display clock time. Press and hold <b>DISP</b> until the hours begins to flash, then release. Press the <b>TUNE ◀◀</b> and <b>TUNE ▶▶</b> to adjust the hours, then press the <b>DISP</b> , the minutes begins to flash, press the <b>TUNE ◀◀</b> and <b>TUNE ▶▶</b> button to adjust the minutes. Press <b>DISP</b> momentarily to save the selected time.
<b>Display</b>	Press <b>DISP</b> to toggle display between various displayed information.
<b>Audio / Menu</b>	Press volume knob momentarily to select between the audio functions. Press and hold volume knob for more than two seconds to select between the menu functions. Rotate the volume knob left/right to adjust or activate the desired function/audio.

To download the complete Owner's Manual for your radio, please visit [www.dualav.com/support/manuals.php](http://www.dualav.com/support/manuals.php).

## AM/FM Tuner Operation

<b>Seek Tuning</b>	Press <b>TUNE ◀◀</b> or <b>TUNE ▶▶</b> to seek to previous or next strong station.
<b>Manual Tuning</b>	Press and hold the <b>TUNE ◀◀</b> or <b>TUNE ▶▶</b> to enter manual tuning mode. Then press <b>TUNE ◀◀</b> or <b>TUNE ▶▶</b> momentarily to move radio frequency down or up one step at a time. Press and hold <b>TUNE ◀◀</b> or <b>TUNE ▶▶</b> to advance quickly.
<b>Band</b>	Press <b>BAND</b> to select between FM1, FM2, FM3, AM1 and AM2 bands. Up to six presets can be programmed for each band, enabling up to 18 FM stations and 12 AM stations to be stored in memory.
<b>Storing Presets</b>	Up to 18 FM and 12 AM stations can be stored. To store a station, select the desired band and station. Press and hold the desired preset button (1-6) for more than two seconds. When stored, the preset number will appear in the display.
<b>Recalling Presets</b>	Preset stations can be recalled any time by pressing the corresponding preset button.
<b>Auto store</b>	Press and hold <b>AS/PS</b> for more than 2 seconds to store 18 FM stations and 12 AM stations automatically.
<b>Preset Scan</b>	Press the <b>AS/PS</b> to recall each preset station that stored in the memories in each band.

To download the complete Owner's Manual for your radio, please visit [www.dualav.com/support/manuals.php](http://www.dualav.com/support/manuals.php).

## USB Operation

<b>Playing MP3 Files</b>	To play MP3 files, insert a USB device containing MP3 files.
<b>Track Select</b>	Press <b>TUNE ▶▶</b> to skip to the beginning of the next song. Press <b>TUNE ◀◀</b> to skip to the beginning of the previous song.
<b>Fast Forward and Reverse</b>	Press and hold <b>TUNE ▶▶</b> or <b>TUNE ◀◀</b> to fast forward or reverse a track.
<b>Pause</b>	Press <b>⏸</b> to temporarily stop playback. Press <b>⏸</b> again to resume playback.
<b>Folder Access</b>	Folder can be found by pressing Folder Up or Folder Down. About 1 second after the folder name is displayed, the first file under the selected folder will be displayed and playback.
<b>Repeat</b>	Press <b>RPT</b> to toggle between RPT ALL and RPT ONE. <ul style="list-style-type: none"> <li>• RPT ALL - Plays all tracks on USB device.</li> <li>• RPT ONE - Continuously repeats selected track.</li> </ul>
<b>Random</b>	Press <b>RDM</b> to play tracks in random order, press again to cancel the RDM function.
<b>Intro</b>	Press <b>INT</b> to plays first 10 seconds of each track, press again to cancel the INT function.

To download the complete Owner's Manual for your radio, please visit [www.dualav.com/support/manuals.php](http://www.dualav.com/support/manuals.php).

## Bluetooth® Operation

<b>Preparation</b>	Before using a Bluetooth device, it must be paired and connected. Ensure that Bluetooth is activated on your device before beginning the pairing process.
<b>Pairing a New Device</b>	The head unit broadcasts the pairing signal constantly when no devices are connected. Complete the pairing sequence from your Bluetooth device. Refer to the owner's manual for your device for more details. The device name is "Dual Media Player" The Bluetooth passcode is "1234" <b>Note:</b> If passcode "1234" does not pair your device to the receiver, use passcode "0000". <b>Note:</b> The head unit can be in any mode of operation when pairing is performed.
<b>Streaming Audio Troubleshooting</b>	The head unit supports A2DP wireless streaming audio from a Bluetooth mobile device directly to your head unit. The following functions can be used to control the music: <ul style="list-style-type: none"> <li>• Press <b>▶▶</b> to skip to the next available audio track.</li> <li>• Press <b>◀◀</b> to skip to the previous audio track.</li> <li>• Press <b>⏸</b> to toggle between play and pause during playback.</li> </ul>

To download the complete Owner's Manual for your radio, please visit [www.dualav.com/support/manuals.php](http://www.dualav.com/support/manuals.php).

## Limited One-Year Warranty

This warranty gives you specific legal rights. You may also have other rights which vary from state to state. Dual Electronics Corp. warrants this product to the original purchaser to be free from defects in material and workmanship for a period of one year from the date of the original purchase. (Note that select marine products carry a 2-year warranty. Please visit [www.dualav.com](http://www.dualav.com) for details.) Dual Electronics Corp. agrees, at our option, during the warranty period, to repair any defect in material or workmanship or to furnish an equal new, renewed or comparable product (whichever is deemed necessary) in exchange without charges, subject to verification of the defect or malfunction and proof of the date of purchase. Subsequent replacement products are warranted for the balance of the original warranty period.

**Who is covered?** This warranty is extended to the original retail purchaser for products purchased and used in the U.S.A.

**What is covered?** This warranty covers all defects in material and workmanship in this product. The following are not covered: installation/removal costs, damage resulting from accident, misuse, abuse, neglect, product modification, improper installation, incorrect line voltage, unauthorized repair or failure to follow instructions supplied with the product, or damage occurring during return shipment of the product.

### What to do?

1. Before you call for service, check the troubleshooting guide in your owner's manual. A slight adjustment of any custom controls may save you a service call.
2. If you require service during the warranty period, you must carefully pack the product (preferably in the original package) and ship it by prepaid transportation with a copy of the original receipt from the retailer to an authorized service center.
3. Please describe your problem in writing and include your name, a return UPS shipping address (P.O. Box not acceptable), and a daytime phone number with your shipment.
4. For more information and for the location of the nearest authorized service center please contact us toll-free at 1-866-382-5476 or by email at [cs@dualav.com](mailto:cs@dualav.com).

**Exclusion of Certain Damages:** This warranty is exclusive and in lieu of any and all other warranties, expressed or implied, including without limitation the implied warranties of merchantability and fitness for a particular purpose and any obligation, liability, right, claim or remedy in contract or tort, whether or not arising from the company's negligence, actual or imputed. No person or representative is authorized to assume for the company any other liability in connection with the sale of this product. In no event shall the company be liable for indirect, incidental or consequential damages.

## FCC Compliance

This device complies with Part 15 of the FCC Rules. Operation is subject to the following two conditions:

- (1) this device may not cause harmful interference, and
- (2) this device must accept any interference received, including interference that may cause undesired operation.

**Warning:** Changes or modifications to this unit not expressly approved by the party responsible for compliance could void the user's authority to operate the equipment.

**Note:** This equipment has been tested and found to comply with the limits for a Class B digital device, pursuant to Part 15 of the FCC Rules. These limits are designed to provide reasonable protection against harmful interference in a residential installation. This equipment generates, uses and can radiate radio frequency energy and, if not installed and used in accordance with the instructions, may cause harmful interference to radio communications. However, there is no guarantee that interference will not occur in a particular installation. If this equipment does cause harmful interference to radio or television reception, which can be determined by turning the equipment off and on, the user is encouraged to try to correct the interference by one or more of the following measures:

- Reorient or relocate the receiving antenna.
- Increase the separation between the equipment and receiver.
- Connect the equipment into an outlet on a circuit different from that to which the receiver is connected.
- Consult the dealer or an experienced radio technician for help.



Dual Electronics Corp.  
Toll Free: 1-866-382-5476  
Monday-Friday, 9AM-5PM  
[www.dualav.com](http://www.dualav.com)

©2019 Dual Electronics Corp. All rights reserved.

The Bluetooth word mark and logos are registered trademarks owned by the Bluetooth SIG. Other trademarks and trade names are those of their respective owners.

NCS0519-V01