

# JENSEN

## MPQ914

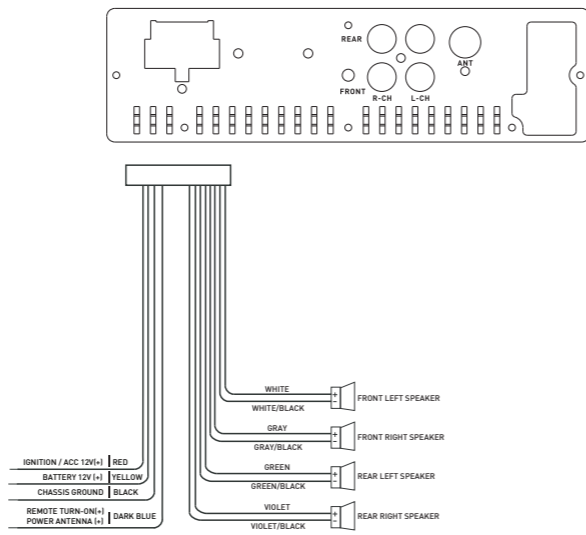
### QUICK START GUIDE

#### Digital Media Receiver

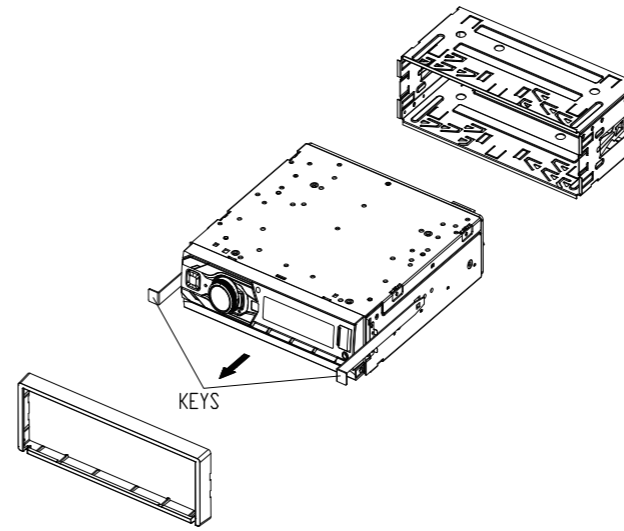


To download a complete owner's manual visit [www.jensenmobile.com](http://www.jensenmobile.com) or call customer service 1-888-921-4088 (Monday-Friday, 9AM-5PM EST)

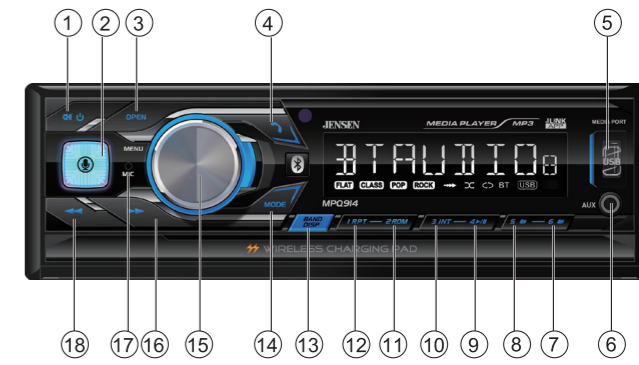
### Wiring Diagram-Inputs/Outputs



### TYPICAL FRONT-LOAD DIN MOUNTING METHOD



### Button Operation



- 1. Mute/Power
- 2. Voice Activation
- 3. Open
- 4. End Call
- 5. USB
- 6. Aux Input
- 7. Folder Up
- 8. Folder Down
- 9. Play/Pause
- 10. Introduce
- 11. Random
- 12. Repeat
- 13. Band/Disp
- 14. Mode
- 15. VOL Up/Down/Menu
- 16. Tune/Track Up
- 17. MIC
- 18. Tune/Track Down

### General Operation

- Power On/Off** Press the **⏻** button to turn the unit on. Press **⏻** again to turn unit off.
- Changing Modes** Press **MODE** to select between Radio, USB, Bluetooth, AUX. Modes of operation are shown in the display.
- Volume** Adjust volume using volume knob.
- Mute** Press **⏻** to silence the audio. Press **⏻** again to resume listening at the previously selected volume.
- Auxiliary Inputs** Insert a 3.5mm cable in the units front AUX port.
- Reset** Press the **RESET** button to reset the unit back to the factory settings if abnormal operation occurs. The reset button is located on the front panel.
- Setting the Clock** With the unit on, long press **DISP** to display clock time. Press and hold **DISP** until the hours or minutes begin to flash, then release. Rotate the volume knob to adjust the time. Long press **DISP** to finish the clock setting.
- Display** Press **DISP** to toggle display between various displayed information.
- Audio / Menu** Press volume knob momentarily to select between the audio functions. Press and hold volume knob for more than two seconds to select between the menu functions. Rotate the volume knob left/right to adjust or activate the desired function/audio.

### AM/FM Tuner Operation

- Seek Tuning** Press **TUNE ◀◀** or **TUNE ▶▶** to seek to previous or next strong station.
- Manual Tuning** Press and hold the **TUNE ◀◀** or **TUNE ▶▶** momentarily to move radio frequency down or up one step at a time. Press and hold **TUNE ◀◀** or **TUNE ▶▶** to advance quickly.
- Band** Press **BAND** to select between FM1, FM2, FM3, AM1 and AM2 bands. Up to six presets can be programmed for each band, enabling up to 18 FM stations and 12 AM stations to be stored in memory.
- Storing Presets** Up to 18 FM and 12 AM stations can be stored. To store a station, select the desired band and station. Press and hold the desired preset button (1-6) for more than two seconds. When stored, the preset number will appear in the display.
- Recalling Presets** Preset stations can be recalled any time by pressing the corresponding preset button.
- Auto store** Press and hold **MENU** for more than 2 seconds, then press **DISP** to store 18 FM stations and 12 AM stations automatically.
- Preset Scan** Touch **PS** to recall each preset station that has been stored in memory for each band. (Available with the Dual Smart Remote App only)

### USB Operation

- Playing MP3 Files** To play MP3 files, insert a USB device containing MP3 files.
- Track Select** Press **TUNE ▶▶** to skip to the beginning of the next song. Press **TUNE ◀◀** to skip to the beginning of the previous song.
- Fast Forward and Reverse** Press and hold **TUNE ▶▶** or **TUNE ◀◀** to fast forward or reverse a track.
- Pause** Press **⏸** to temporarily stop playback. Press **⏸** again to resume playback.
- Folder Access** Folder can be found by pressing Folder Up or Folder Down. About 1 second after the folder name is displayed, the first file under the selected folder will be displayed and playback.
- Repeat** Press **RPT** to toggle between RPT ALL and RPT ONE.
  - RPT ALL - Plays all tracks on USB device.
  - RPT ONE - Continuously repeats selected track.
- Random** Press **RDM** to play tracks in random order, press again to cancel the RDM function.
- Intro** Press **INT** to plays first 10 seconds of each track, press again to cancel the INT function.

### Bluetooth® Operation

- Preparation** Before using a Bluetooth device, it must be paired and connected. Ensure that Bluetooth is activated on your device before beginning the pairing process.
- Pairing a New Device** The head unit broadcasts the pairing signal constantly when no devices are connected. Complete the pairing sequence from your Bluetooth device. Refer to the owner's manual for your device for more details. The device name is "Dual Media Player" The Bluetooth passcode is "1234".
 

**Note:** If passcode "1234" does not pair your device to the receiver, use passcode "0000".

**Note:** The head unit can be in any mode of operation when pairing is performed.
- Streaming Audio Troubleshooting** The head unit supports A2DP wireless streaming audio from a Bluetooth mobile device directly to your head unit. The following functions can be used to control the music:
  - Press **▶▶** to skip to the next available audio track.
  - Press **◀◀** to skip to the previous audio track.
  - Press **⏸** to toggle between play and pause during playback.

To download the complete Owner's Manual for your radio, please visit [www.dualav.com/support/manuals.php](http://www.dualav.com/support/manuals.php).

To download the complete Owner's Manual for your radio, please visit [www.dualav.com/support/manuals.php](http://www.dualav.com/support/manuals.php).

To download the complete Owner's Manual for your radio, please visit [www.dualav.com/support/manuals.php](http://www.dualav.com/support/manuals.php).

To download the complete Owner's Manual for your radio, please visit [www.dualav.com/support/manuals.php](http://www.dualav.com/support/manuals.php).

### Wireless Charging Operation

- Putting Phone on Wireless Charging Pad** Press the Open button on the front panel, and the Wireless Charging Pad will automatically pop up from the unit. Open the Wireless Charging Pad to the position, and open the buckle on the top of the pad to support the phone (With Wireless Charging Function) and put down the buckle tightly.

- Charging Status** After the phone enters charging mode, it's in normal charging mode when the red and green LED indicator on the pad has 3S flashing. It starts to enter the fast charge mode after the red LED indicator off and the green LED indicator has 3S flashing. The green LED indicator is always on when the phone is fully charged.

- Phone Removal** If you don't need to charge it, please lift up the buckle on top of the pad and remove the phone, then close the wireless charging switch under the pad and press the Open button on the front panel to retract the wireless charging pad automatically. If the wireless charging switch on the pad is not closed, the unit will not perform the wireless charging pad retraction when you press the Open button on the front panel, and it will display the "CHARGE" warning on the LCD.

**LED Indicator:**

LED Indication	Standby	Normal Charging	Fast Charging	Full	FOD/Error	Low Power	Over Temperature
LED-A (Red)	Off after 10S On	3S Flashing	Off	Off	Off	On	Off
LED-B (Green)	Off	3S Flashing	3S Flashing	On	0.5S Flashing	0.5S Flashing	Off

### Wireless Charging sequence

- Step #1** Press OPEN to open or close the wireless charging pad.
- Step #2** Open phone holder on the bottom of the pad.
 

Note - Use the phone holder on the top of the pad in order to hold the smartphone more firmly.
- Step #3** Put the smartphone on wireless charging pad for wireless charge.
 

Note - Here is the information on LED indicator for charging status  
 Charging : Green & Red  
 Fully Charged : Green
- Step #4** Press OPEN to close the wireless charging pad.
 

Note - The pad will not be closed if the phone holder is still open.

### APP Operation

The Jensen Smart App is the ultimate wireless remote control for your receiver. You can download Jensen Smart app from Apple App Store or Google Play Store and install it on your smartphone or tablet. Please scan the following QR code to download **Jensen J Link APP P2** to your smart phone.



### Voice Activation Operation

Bluetooth should be paired between your smartphone and the receiver. Press the voice activation button (Ⓜ), and the receiver will switch into Bluetooth mode. This will activate Siri® or Google Assistant™ on your smartphone. You will need to manually switch back to the previous or desired mode once this operation is terminated.

### Limited One-Year Warranty

This warranty gives you specific legal rights. You may also have other rights which vary from state to state. Namsung America Inc. warrants this product to the original purchaser to be free from defects in material and workmanship for a period of one year from the date of the original purchase. Namsung America Inc. agrees, at our option, during the warranty period, to repair any defect in material or workmanship or to furnish an equal new, renewed or comparable product (whichever is deemed necessary) in exchange without charges, subject to verification of the defect or malfunction and proof of the date of purchase. Subsequent replacement products are warranted for the balance of the original warranty period.

**Who is covered?** This warranty is extended to the original retail purchaser for products purchased and used in the U.S.A.

**What is covered?** This warranty covers all defects in material and workmanship in this product. The following are not covered: installation/removal costs, damage resulting from accident, misuse, abuse, neglect, product modification, improper installation, incorrect line voltage, unauthorized repair or failure to follow instructions supplied with the product, or damage occurring during return shipment of the product.

- What to do?**
- Before you call for service, check the troubleshooting guide in your owner's manual. A slight adjustment of any custom controls may save you a service call.
  - If you require service during the warranty period, you must carefully pack the product (preferably in the original package) and ship it by prepaid transportation with a copy of the original receipt from the retailer to an authorized service center.
  - Please describe your problem in writing and include your name, a return UPS shipping address (P.O. Box not acceptable), and a daytime phone number with your shipment.
  - For more information and for the location of the nearest authorized service center please contact us toll-free at 1-888-921-4088 or by email at [cs@dualav.com](mailto:cs@dualav.com).

**Exclusion of Certain Damages:** This warranty is exclusive and in lieu of any and all other warranties, expressed or implied, including without limitation the implied warranties of merchantability and fitness for a particular purpose and any obligation, liability, right, claim or remedy in contract or tort, whether or not arising from the company's negligence, actual or imputed. No person or representative is authorized to assume for the company any other liability in connection with the sale of this product. In no event shall the company be liable for indirect, incidental or consequential damages.

### FCC Compliance

This device complies with Part 15 of the FCC Rules. Operation is subject to the following two conditions:  
 (1) this device may not cause harmful interference, and  
 (2) this device must accept any interference received, including interference that may cause undesired operation.

**Warning:** Changes or modifications to this unit not expressly approved by the party responsible for compliance could void the user's authority to operate the equipment.

**Note:** This equipment has been tested and found to comply with the limits for a Class B digital device, pursuant to Part 15 of the FCC Rules. These limits are designed to provide reasonable protection against harmful interference in a residential installation. This equipment generates, uses and can radiate radio frequency energy and, if not installed and used in accordance with the instructions, may cause harmful interference to radio communications. However, there is no guarantee that interference will not occur in a particular installation. If this equipment does cause harmful interference to radio or television reception, which can be determined by turning the equipment off and on, the user is encouraged to try to correct the interference by one or more of the following measures:

- Reorient or relocate the receiving antenna.
- Increase the separation between the equipment and receiver.
- Connect the equipment into an outlet on a circuit different from that to which the receiver is connected.
- Consult the dealer or an experienced radio technician for help.

**FCC Radiation Exposure Statement:**  
 The equipment complies with FCC Radiation exposure limits set forth for uncontrolled environment. This equipment should be installed and operated with minimum distance 20cm between the radiator and your body.

FCCID: 2AFXA-MPQ914

Customer Service Toll Free: 1-888-921-4088  
[www.jensenmobile.com](http://www.jensenmobile.com)  
 ©2019 Namsung America Inc.  
 NSA1019-V01