

VIDEO BABY MONITOR

VB603



Ver1.4

WELCOME...

to your new digital Baby Monitor!

Thank you for purchasing the product. Now you can see and hear your baby sleeping in the other room or you can monitor your older children in their playroom.

This User's Guide provides you with all the information you need to get the most from your product.

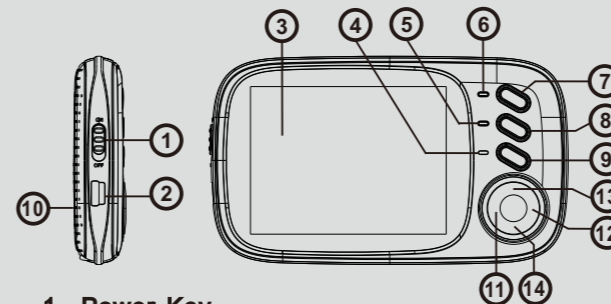
Before you can use the baby monitor, we recommend you insert and fully charge the battery in the parent unit, so that it continues to work if you disconnect it from the mains power to carry it to another location. Please read the Safety Instructions on page 6 before you install the units.

Got everything?

- 1 x Parent Unit
- 1 x Baby Unit
- 2 x Power adapter

2

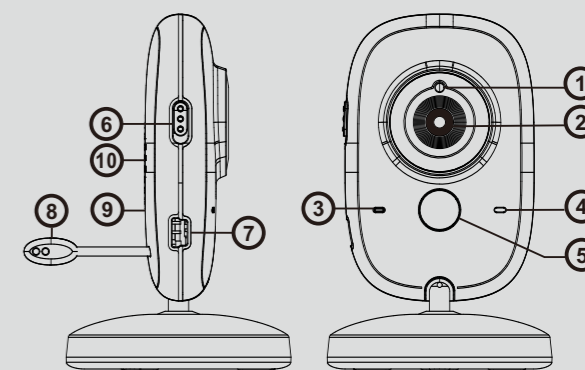
Overview of your Parent unit



1. Power Key
2. Power adapter connector
3. Lcd display
4. Microphone
5. Charging indicating led
6. Power / Signal indicating led
7. VOX Key
8. Music play on/off key
9. PTT Key
10. Speaker
11. OK / Menu Key
12. Return Key
13. Volume + / Up
14. Volume - / Down

3

Overview of your Baby unit



1. Light Sensor
2. Camera Lens
3. Power indicating LED
4. Microphone
5. Infrared LED
6. Power Key
7. Power adapter connector
8. Temperature Sensor
9. Pair key
10. Speaker

4

Table of contents

1. Safety Instructions	6
2. Getting started	7
2.1 Baby unit power supply	7
2.2 Parent unit power supply.....	8
3. Using the Baby Monitor	9
3.1 Setting up	9
3.2 Pairing camera.....	10
3.3 VOX Function.....	10
3.4 Music player.....	10
3.5 Talk function.....	10
3.6 Adjusting the volume	10
4. Monitoring screen icons.....	11
5. Menu Options.....	12
5.1 Main menu	12
5.2 Camera Registration.....	13
5.3 Alarm.....	13
5.4 Settings.....	14
5.5 VOX.....	15
5.6 Languages.....	15
5.7 System info.....	15
6. TECHNICAL FEATURES.....	16

5

1. Safety Instructions

WARNING

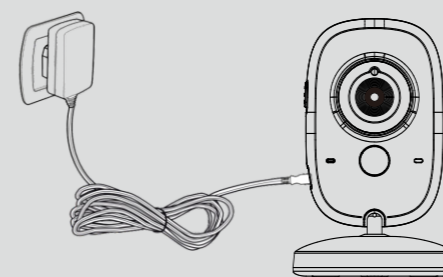
This baby monitor is compliant with all relevant standards regarding electromagnetic fields and is, when handled as described in the User's Guide, safe to use. Therefore, always read the instructions in this User's Guide carefully before using the device.

- Adult assembly is required. Keep small parts away from children when assembling.
- This product is not a toy. Do not allow children to play with it.
- This baby monitor is not a substitute for responsible adult supervision.
- Do not place the baby unit or cables in the cot or within arm's reach of the baby (at least 1 meter away).
- Keep the cords out of reach of children.
- Do not use the baby monitor near water or a heat source
- Only use the power adapters provided.
- Do not touch the plug contacts with sharp or metal objects.

6

2. Getting started

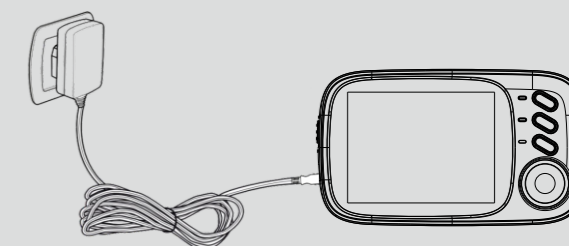
2.1 Baby unit power supply



1. Connect the small plug of the power adapter to the baby unit and the other end to the mains socket. **NOTE: Only use the power adapter provided**
2. A blue light led will display indicate the baby unit is working

7

2.2 Parent unit power supply



Charging the parent unit fully before use is recommended.

This will allow the unit to operate on battery in the event of a power failure.

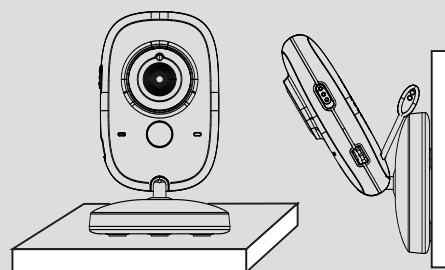
1. Connect the plug of the power adapter to the parent unit and the other end to the mains socket **NOTE: Only use the power adapter provided**
2. The charging LED will illuminate means start charging the battery
3. Push the power key to ON side to turn on the parent unit.

8

3. Using the Baby Monitor

3.1 Setting up

Place the baby unit in a convenient location (e.g. on a table) and point the camera lens towards the area you want to monitor. Adjust the baby unit until you are satisfied with the image in the parent unit.



NOTE

Do not place the baby unit within baby's reach! If there is interference on the picture or sound, try moving the units to different locations, and ensure they are not close to other electrical equipment.

9

3.2 Pairing camera

The enclosed baby unit has already been registered. You do not need to register it again unless the baby unit loses its link with the parent unit. See section "5.2 Camera Registration" for more details.

3.3 VOX Function

Press VOX key will turn on VOX mode, The VOX mode automatically puts the display in sleep mode to save battery. It reactivates automatically, when it detects noise in the baby's room.

3.4 music player

Press music key will turn on the music player and play lullaby through the baby unit; press music key again will turn off it.

3.5 Talk function

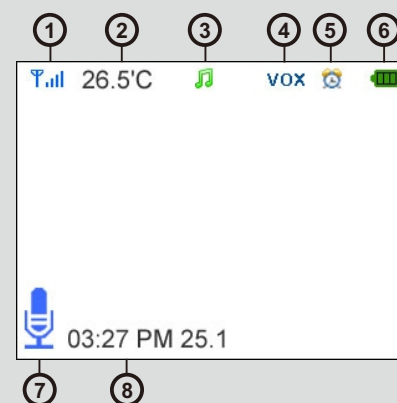
Press and hold PTT key on the parent unit to talk to your baby through the baby unit loudspeaker. The symbol will be displayed at the bottom of the screen.

3.6 Adjusting the volume

When the video is playing mode, press Volume- key to decrease volume or Volume+ key to increase volume. The display will show the current volume for 5 seconds.

10

4. Monitoring Screen Icons



1. Signal strength indicator
2. Temperature of the baby's room
3. Lullaby is playing
4. Vox function activated
5. Alarm activated
6. Battery indicator
7. PTT function activated
8. Date and time (HH:MM AM/PM DD/MM)

11

5. Menu Options

5.1 Main menu



Press "OK/Menu" key at monitoring screen will enter the main menu, It contains 6 items :

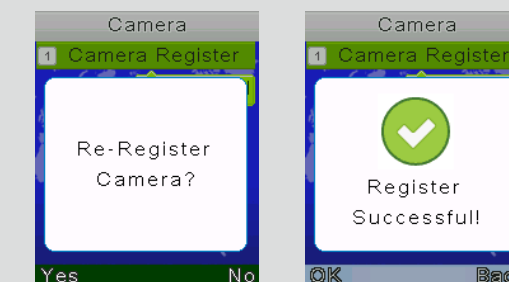
1. Camera
2. Alarm
3. Settings
4. VOX
5. Languages
6. System info

You can press the "Up" key or "Down" key to move the cursor to select an item and press "Menu" key will enter the sub-menu which you selected.

Press "Return" key will back to monitoring screen

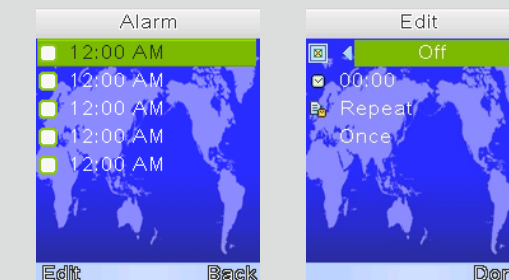
12

5.2 Camera Registration



Press "OK/Menu" key to entry registering screen, then push the pair key on the back of baby unit within 10 seconds.

5.3 Alarm



Press "PTT" key to move the cursor and "Up/Down" key to change value .

13

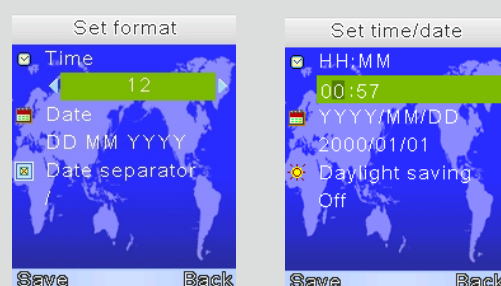
5.4 Settings

5.4.1 Time and date

There are contains 2 items in this menu

Set time / date

Set format



Press "PTT" key to move the cursor and "Up/Down" key to change value .

5.4.2 Temperature unit

Switch the unit to Celsius or Fahrenheit

5.4.3 Anti-flicker

You are able to adjust the frequency of 50 / 60 HZ to suit your lighting for anti-flicker

5.4.4 LCD backlight

You are be able to adjust the brightness of the LCD you are viewing and the LCD backlight active time in menu operation.

14

5.5 VOX

5.5.1 System mode

This menu allows you to choose the working mode from the following: Normal mode / VOX mode

5.5.2 VOX Sensitivity

Switch the Vox sensitivity at Low / Medium / High level

5.6 Language

Language setting menu allows you to choose your language from the following :

- English
- French (Francais)
- Spanish (Espanol)
- Portuguese (Portugues)
- Italian (Italiano)
- German (Deutsch)
- Turkey (Turkce)
- Russian

5.7 System Info

There are contains system information such as Project id, Hardware version, software version , build date etc.

15

6. TECHNICAL FEATURES

- Frequency: 2.4 GHz Digital
- Modulation Mode: GFSK
- Operating temperature: -10 to +45°C
- Operating Humidity: <85%
- Range: 260m in open field

Monitor

- LCD: 3.2 " TFT LCD
- Resolution: 320X240@20fps
- Battery: Li-Polymer 750mAh
- Dimensions (W x H x D): 120mm x 70mm x 17mm

Camera

- Sensor: 0.3Mega pix CMOS
- Minimum Illumination: 0Lux (IR on)
- Night Vision Distance: 15ft (5m)
- Lighting sensor
- Temperature sensor
- Dimensions (W x H x D): 67mm x 106mm x 67mm

16

FCC Statement

Changes or modifications not expressly approved by the party responsible for compliance could void the user's authority to operate the equipment. his equipment has been tested and found to comply with the limits for a Class B digital device, pursuant to Part 15 of the FCC Rules. These limits are designed to provide reasonable protection against harmful interference in a residential installation. This equipment generates uses and can radiate radio frequency energy and, if not installed and used in accordance with the instructions, may cause harmful interference to radio communications. However, there is no guarantee that interference will not occur in a particular installation. If this equipment does cause harmful interference to radio or television reception, which can be determined by turning the equipment off and on, the user is encouraged to try to correct the interference by one or more of the

17

following measures:

- Reorient or relocate the receiving antenna.
 - Increase the separation between the equipment and receiver.
 - Connect the equipment into an outlet on a circuit different from that to which the receiver is connected.
 - Consult the dealer or an experienced radio /TV technician for help
- This device complies with part 15 of the FCC rules. Operation is subject to the following two conditions (1) this device may not cause harmful interference, and (2) this device must accept any interference received, including interference that may cause undesired operation.
- Keep the distance from the body more than 20 cm

18