



# Tengxiang Technology.Inc

东莞市腾祥电子有限公司

Product Number: AN2400-TUB34BX

Product Name: Antenna

## Specification For Approval

Date: 2022.11.25

Version: 1.0

客户名称

Customer:

飞思通

客户料号

Customer P/N:

腾祥料号

T X P/N:

AN2400-TUB34BX

规格描述

Description :

Tengxiang Checked By: 腾祥审核		Customer Approved By: 客户审核	
DRAWN 制作	韦纯佳	TESTED BY 检测	
CHECKED BY 审核	胡超	CHECKED BY 审核	
Q.C.DEPT. 品管	梁凤珍	Q.C.DEPT. 品管	
APPROVED BY 核准	韦佳	APPROVEDBY 核准	



NO.53 Shatou ShaChong Road, ChangAn Town, Guangdong province, China

中国广东省东莞市长安镇沙头区沙涌路 53 号

TEL:86-769-81873082 FAX:86-769-82663788

<http://www.tenxiang.cn>

Product Number: AN2400-TUB34BX

Product Name: 2.4GHz Antenna

## 1. Specification

### Sample Photo



### A. Electrical Characteristics

Frequency	2400~2500 MHz
V.S.W.R	$\leq 2.0$
Antenna Gain	2.27dBi
Polarization	Linear
Impedance	50 Ohm

### B. Material & Mechanical Characteristics

Material of Radiator	Cu
Material of Plastic	/
Cable Type	RG178U 黑色
Connector Type	Mini conn

### C. Environmental

Operation Temperature	- 40 °C ~ + 80 °C
Storage Temperature	- 40 °C ~ + 80 °C



## 2. Characteristics and Reliability Test

Test Items		Test Condition and Procedure	Requirements
C1	V.S.W.R.	Set DUT on Network Analyzer; make individual calibration to test	Directive DUT specification
C2	Antenna Gain	Set DUT on Antenna Chamber; make individual calibration to test	Directive DUT specification
M1	Vibration	MIL-STD-202G, 201A Amplitude: 0.03 inch (0.76mm); Freq: 10 to 55 Hz 3 directions; 2 hours for each direction	1. No Visual Damage 2. Frequency Tol.<= 5%
M2	Random Drop	Height: 1.5 Meter; 3 directions; 1 time for each direction	1. No parts separated 2. Frequency Tol.<= 5%
M3	Solderability	MIL-STD-202G, 210F, cond. A Solder iron: 350±10°C; Duration: 5 seconds	1. Mounted on PCB 2. No Visual Damage
M4	Terminal-Pull Test	MIL-STD-202G, 211A, cond. A Holding with individual specification; force applied to axis of terminal	1. Directive DUT specification 2. Frequency Tol.<= 5%
M5	Terminal-Torque Test	MIL-STD-202G, 211A, cond. E Holding with individual specification; applied clockwise and counterclockwise to the axis of terminal	1. Directive DUT specification 2. Frequency Tol.<= 5%
M6	Dimension	Inspection of dimension, color, material, package, surface process	Directive DUT specification
E1	Salt Spray	MIL-STD-202G, 101E, cond. B Temp: 35°C; RH: >= 95%; NaCl solution: >= 5%; Time: 24 hours	After 2 Hours Recovery 1. No Visual Damage 2. Frequency Tol.<= 5%
E2	Humidity	MIL-STD-202G, 103B, cond. B Temp: 40°C; RH: >= 95%; Time: 24 hours	After 2 Hours Recovery 1. No Visual Damage 2. Frequency Tol.<= 5%
E3	Thermal Shock	1 Cycle: - 40°C (30 minutes) to + 80°C (30 minutes) Cycles: 24	After 2 Hours Recovery 1. No Visual Damage 2. Frequency Tol.<= 5%
E4	Life (High Temp.)	MIL-STD-202G, 108A, cond. A Temp: 85°C; Time: 24 hours	After 2 Hours Recovery 1. No Visual Damage



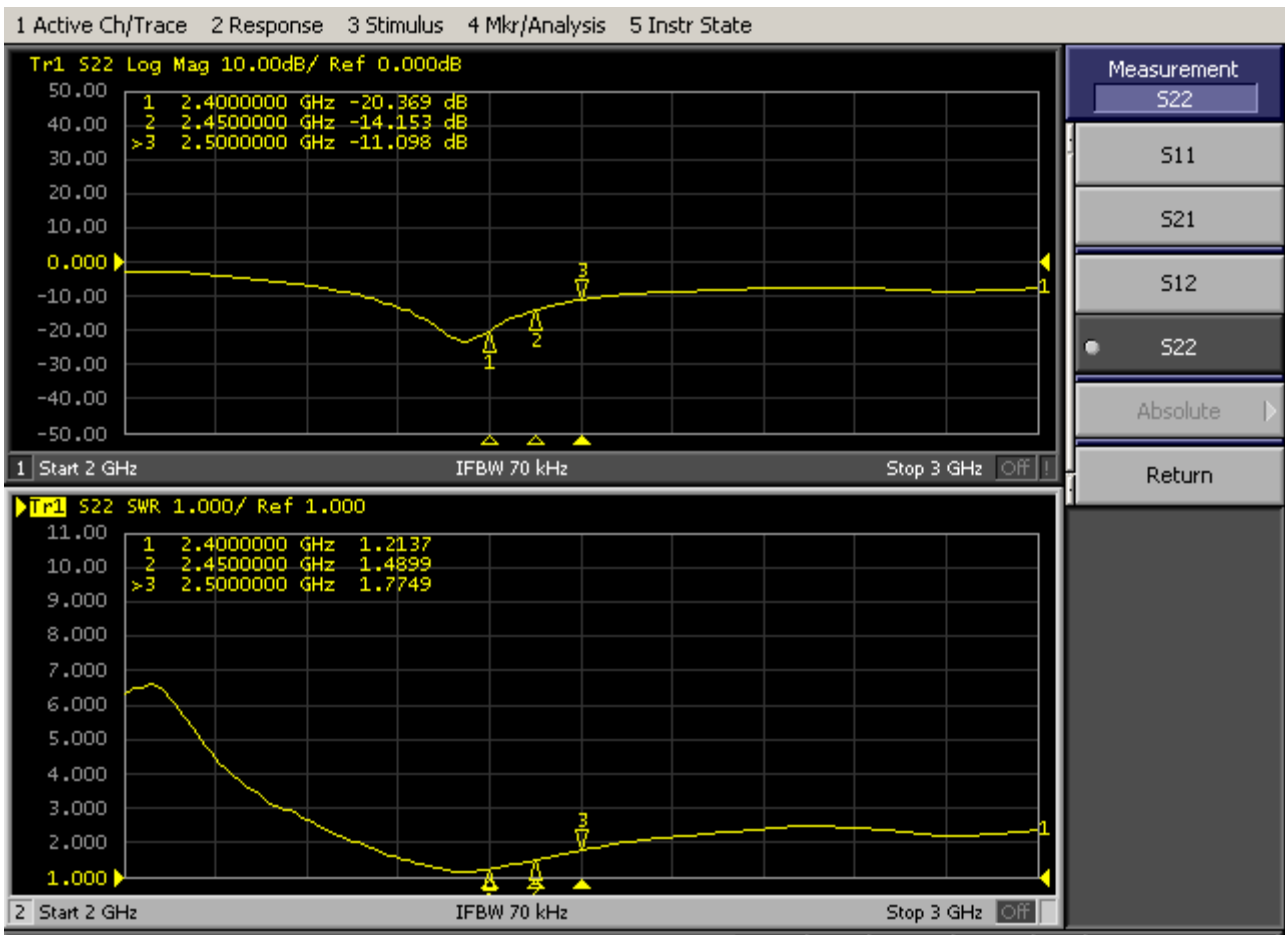
# Tengxiang Technology.Inc

Product Number: AN2400-TUB34BX

Product Name: 2.4GHz Antenna

			2. Frequency Tol.<= 5%
R1	RoHS	With Reference to IEC 62321:2008 with flow chart	Directive RoHS 2015/863/EU

### 3. Antenna - S Parameter Test Data

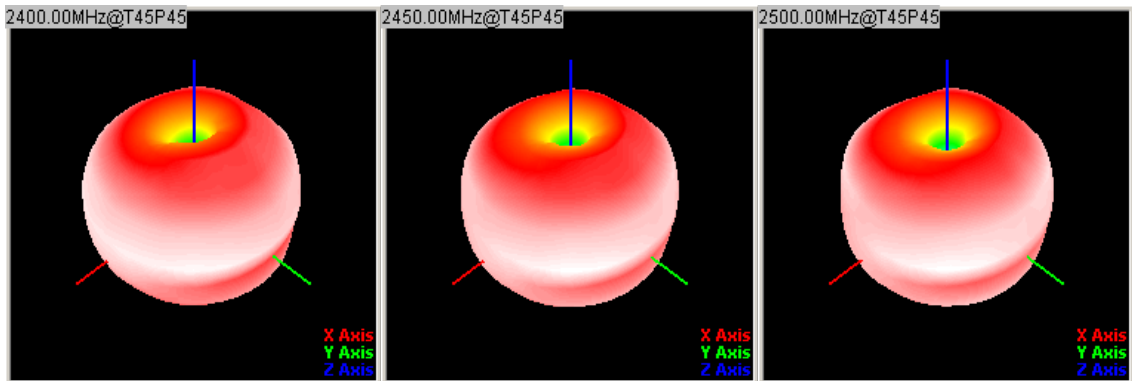


### 4. Antenna - Radiation Pattern Test Data

Frequency (MHz)	2400.0	2450.0	2500.0
Efficiency (%)	78.80	80.24	80.00
Gain (dBi)	1.97	2.27	1.91

Product Number: AN2400-TUB34BX

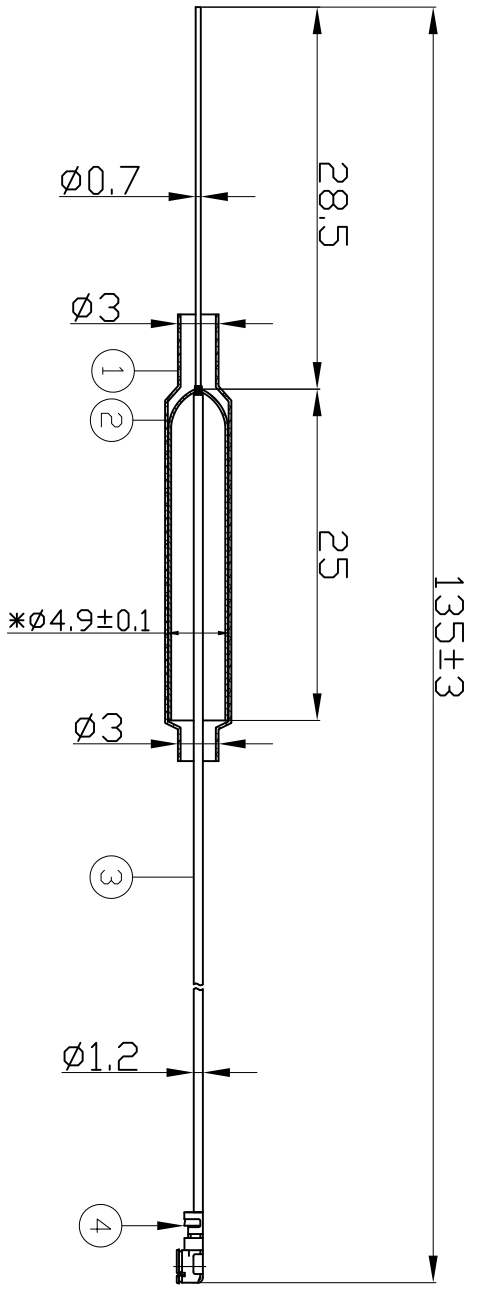
Product Name: 2.4GHz Antenna



5. Mechanical Drawing See attached files

HF	<input type="checkbox"/>
RoHS2.0	<input checked="" type="checkbox"/>
REACH	<input type="checkbox"/>
CONFIDENTIAL	

SIGN	DATE	DESCRIPTION	APPROVER
<input type="checkbox"/>			
<input type="checkbox"/>			
<input type="checkbox"/>			



Note:  
 1. Dimension: Take \* is the important dimension  
 2. Tolerance: Unmarked tolerance refer to the standard tolerance please

No.	Part Number	Description	Material	Finished	Q'ty
4	CR-113-ZP-A	Tube	Cu	Au Plated	1
3	CB-113BS	Cable		Ø1.13mm, Black	1
2	AN4424517S	Tube	Cu	Ø4.4mm*24.5mm	1
1	HSTUBE-004N	HST	EVA	BLACK	1



**Tengxiang Technology Inc.**

TITLE: 2.4GHz Antenna		DWG NAME:	
PART NO.: AN2400-TUB34BX			
APP BY	CHK BY	RF BY	DES BY
YCX	HC	WJ	DWB
2020.10.30	2020.10.30	2020.10.30	2022.11.25
UNITS: mm		Tolerance	
SCALE: 1/1		X.X ±0.3	
REVISION: A		X.XX ±0.1	
		X ±1°	

# 產品包裝規範

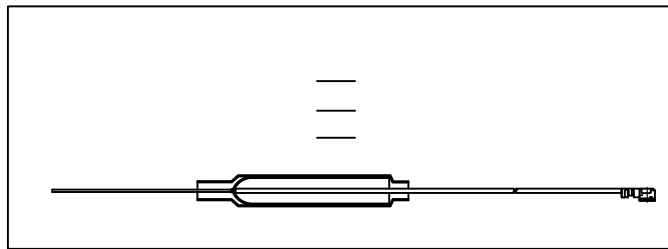
## PACKING CRITERION

Date: 2022.11.25

Page: 1 of 1

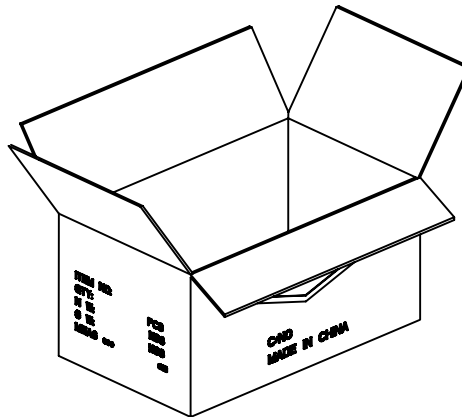
Part Number : AN2400-TUB34BX	Revision : A
Name: 2.4GHz Antenna	Customer : ALL

1 . Enter PE bag.



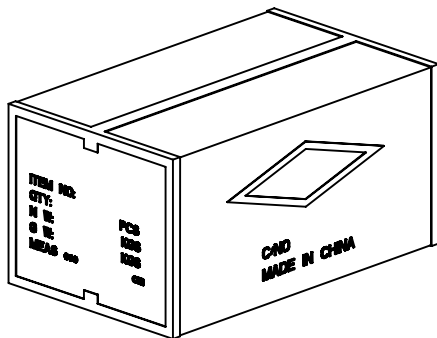
100pcs/ PE bag

2.PACKING.

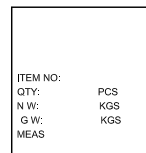


6000pcs/Carton

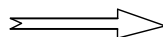
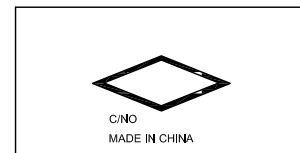
3. SEALING.



SIDE



FRONT



APPROVED BY: YCX

CHECKED BY: TOM

DESIGNED BY: CJ