

**WC37FAPBDE0/SM**

**WC37FAPBDU0/SM**

**Install Manual**

# Contents

1. Set Contents	3
2. Product Configuration Diagram	4
3. Features and Descriptions	5
4. Installation Method	6
5. Product Specifications	7
6. Caution	8
7. CE Traceability	9

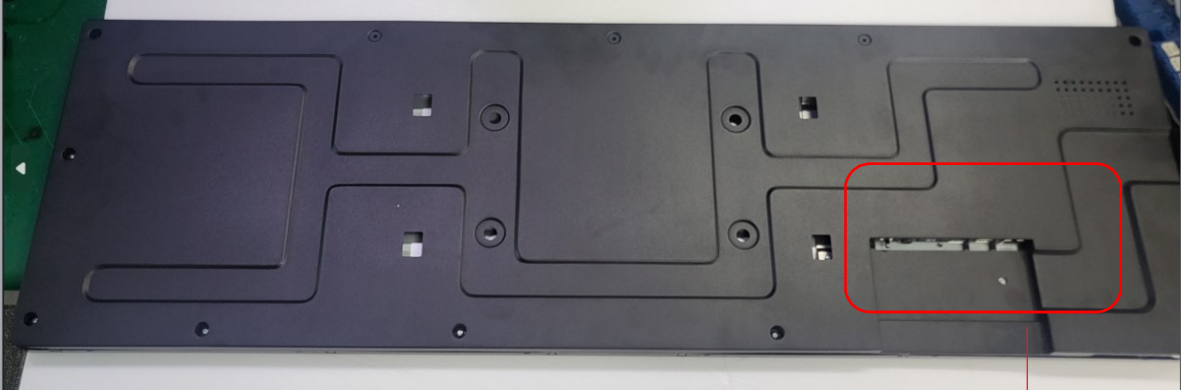
# 1. Set Contents

Check the components below in the package box.

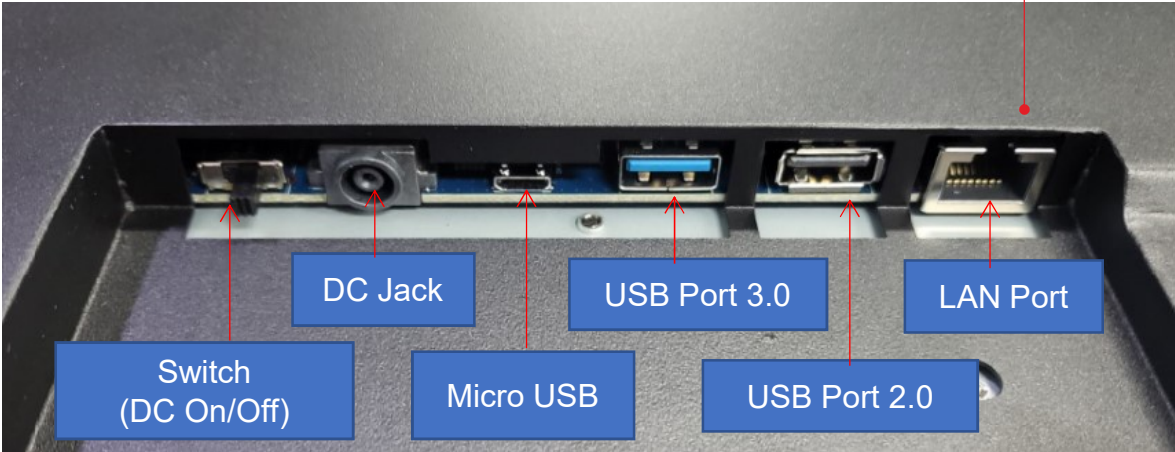


# 2. Product Configuration Diagram

WC37FAPBDE0/SM  
WC37FAPBDU0/SM

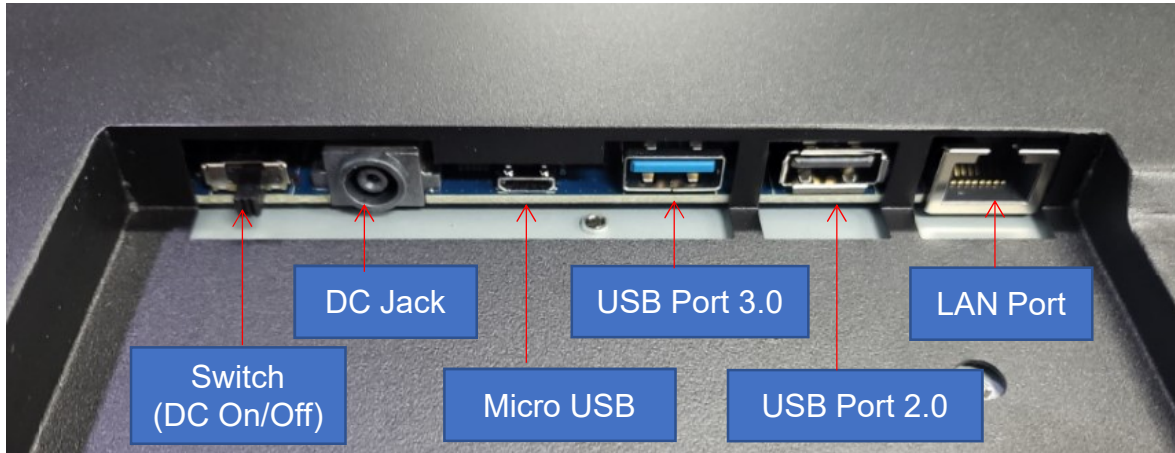








Expanded



# 3. Features and Descriptions

## Rear Parts of Product



Port Function	Description
 LAN	This is connect the Internet LAN cable..
 USB 2.0 Type A	This is the port where a wired terminal device (USB) mouse and USB memory are connected..
 USB 3.0 Type A	This is the port where a wired terminal device (USB) mouse and USB memory are connected.
 USB Micro Type B	Use for only development
 DC Power Input	DC 19V / 3.17A Power Supply
 Power On/Off Switch	Power On / OFF Switch

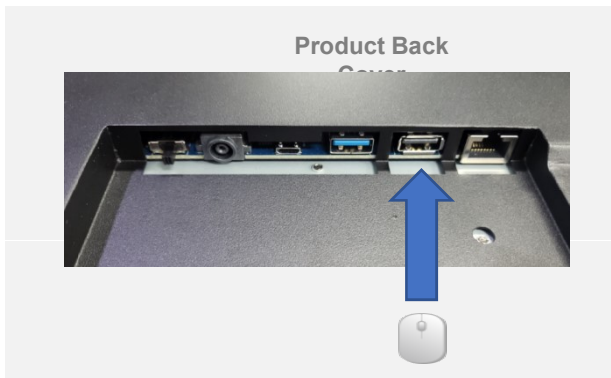
## 4. Installation Method

### Connect peripheral devices.

- 1 Connect the mouse via USB at the back cover of the product.



- 2 Connect the mouse via USB at the back cover of the product.



- 3 After turning on the power, go to Settings -> Network and Internet -> Ethernet and check whether the Network is connected properly.

#### Disconnect

IP address  
0.0.0.0

netmask  
0.0.0.0

gateway  
0.0.0.0

dns1  
0.0.0.0

dns2  
0.0.0.0

Ethernet Ip mode  
dhcp

#### Connect

IP address  
192.168.0.7

netmask  
255.255.255.0

gateway  
192.168.0.1

dns1  
168.126.63.1

dns2  
168.126.63.2

Ethernet Ip mode  
dhcp

## 5. Product Specifications

### H/W Specification

Division	Description
Model Name	WC37FAPBDE0/SM WC37FAPBDE0/SM
DC Input	Input : DC 19V / 3.17A 59W
Resolution	1920(H) x 540(V)
Working Temperature	0 - 40 °C
Working Humidity	Max 80%
Product Size (mm)	914.9 x 280.9 x 35 mm
Operating System	Android 12
CPU	RK3566_ARM Cortex-A55 / 1.5GHz / Quad Core
RAM/ROM	2 G bytes(LPDDR4x) / 8 G bytes(eMMC)

### Input / Output IO Specification

Division	Description
Lan Port	RJ45, 10/100/1000 Mbps
USB Port (Blue)	USB 3.0 Type A Port (Max 1A)
USB Port	USB 2.0 Type Micro Port (Max 500mA)
DC Power Switch	ON / OFF



## 6. Caution.

### FCC Information to User

This equipment has been tested and found to comply with the limits for a Class A digital device, pursuant to part 15 of the FCC Rules. These limits are designed to provide reasonable protection against harmful interference when the equipment is operated in a commercial environment. This equipment generates, uses, and can radiate radio frequency energy and, if not installed and used in accordance with the instruction manual, may cause harmful interference to radio communications. Operation of this equipment in a residential area is likely to cause harmful interference in which case the user will be required to correct the interference at his own expense.

### Caution

THE GRANTEE IS NOT RESPONSIBLE FOR ANY CHANGES OR MODIFICATIONS NOT EXPRESSLY APPROVED BY THE PARTY RESPONSIBLE FOR COMPLIANCE.

SUCH MODIFICATIONS COULD VOID THE USER'S AUTHORITY TO OPERATE THE EQUIPMENT.

IMPORTANT NOTE : FCC RF Radiation Exposure Statement

This equipment complies with FCC RF radiation exposure limits set forth for an uncontrolled environment.

This equipment should be installed and operated with a minimum distance of 20 centimeters between the radiator and your body. This transmitter must not be co-located or operating in conjunction with any other antenna or transmitter.

This device complies with part 15 of the FCC Rules. Operation is subject to the following two conditions:

- (1) This device may not cause harmful interference, and
- (2) this device must accept any interference received, including interference that may cause undesired operation of the device.



## 7. CE Traceability

Product Maker : SOLUM

Address : DONGGUAN SOLUM ELECTRONICS CO., LTD  
Building 4/6 , NO.35,Tongzhen Road, Tongsha Science and  
Technology Industrial Park, Dongcheng District, Dongguan City,  
Guangdong Province, 523127, China

Model Name : WC37FAPBDE0/SM  
WC37FAPBDU0/SM