
Solu-M ESL Gateway
User Manual
(SLG-EP101S)

Document Summary

Author: ICT Development Team, ICT Division

Distributor: Solu-M Co., Ltd.

Tel.: 031-8006-7650

www.solu-m.com

Editor Information

- Tel.: +82-31-8006-7650

- Address : A-6th floor, 357, Guseong-ro, Giheung-gu, Yongin-si, Gyeonggi-do

Copyright Notification

Solu-M Co., Ltd.

Copyright ©2020 Solu-M Co., Ltd.

All trademarks used are properties of their respective owners.

The content of this document is subject to change without prior notice.

The content of this document is intellectual property of Solu-M Co., Ltd.

This document may not be reproduced or published without prior consent from Solu-M Co., Ltd.

No part may be reproduced except as authorized by written permission.

The copyright and the foregoing restriction extend to reproduction in all media.

© 2020 Solu-M Co., Ltd.

All rights reserved.

Revision History

Rev.	Date	Remark
1.0	02.10.2020	First Edition.

Contents

1. Precautions 5

2. Overview 6

3. Product Specifications 7

3.1 General Specifications7

3.1.1 Gateway

3.2 RF Specifications.....8

3.2.1 Gateway

4. Product Description 9

4.1 Exteior9

4.1.1 Gateway

5. Product Installation..... 10

5.1 Gateway.....10

1. Precautions

“This RF device operates on the 2.4GHz and Sub-GHz frequency band and can produce radio interference. The device, therefore, may not be used for applications where safety of human lives is concerned.”

1) Usage Environment

Take extra caution when using this RF device in the vicinity of other electronic devices and appliances. Most electronic devices and appliances use electromagnetic waves. Electromagnetic waves emitted by this RF device can affect other electronic devices and appliances.

If using the device in an explosion hazard area, follow all safety regulations, instructions, and signals.

2) Storage and Use

Moisture and liquids can damage internal parts and circuit boards if allowed to enter into the device itself.

Do not place or store the product on a sloped surface. The product may slide and fall off the surface and damage.

Use the product in temperatures ranging from -25°C to $+60^{\circ}\text{C}$. Parts and circuits may damage if used or stored under temperature extremes.

Avoid areas with strong magnetism or subject to magnetism.

Contact between the device and a magnetic object can lead to malfunctions.

Do not place the product near heat-producing kitchen appliances like a stove or a microwave or in the vicinity of highly pressurized containers.

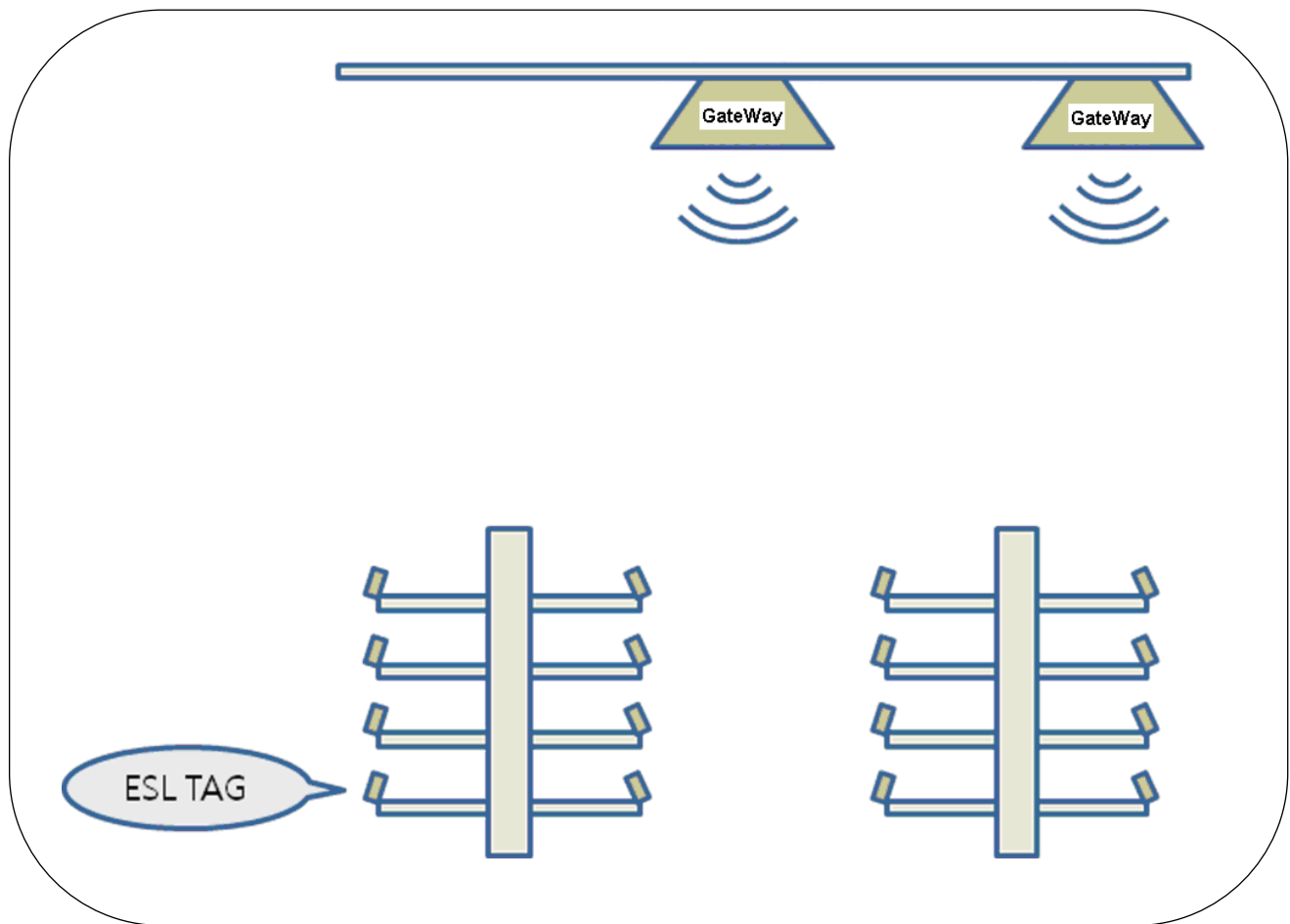
External impact to the product, such as from being dropped, can damage the screen.

Twisting and bending the product can damage the exterior casing and the internal components.

2. Overview

Gateway make up a system the electronically displays price and other product information that are traditionally shown printed or written on paper in places like the supermarket.

Here, ESL(Electronic Shelf Label) Gateway receives product price updates from the server and uploads the new data to the applicable electronic shelf label tags (ESL-Tag), changing the displayed price information.



<Diagram 1> ESL System

3. Product Specifications

3.1 General Specifications

3.1.1. Gateway

General	
Communication	Ethernet (10/100/1000Mbps) Wireless (2.4GHz and Sub-GHz frequency)
Dimension (W*H*D)	243 * 243 * 46 (mm)
Weight (g)	650g
Enclosure	Plastic (ABS)
Power	PoE (Power over Ethernet(IEEE802.3af)) or AUX. DC Input(5~12V,10W)

Caution : DC Power Supply or PoE(Power over Ethernet) using one

3. 2 RF Specifications

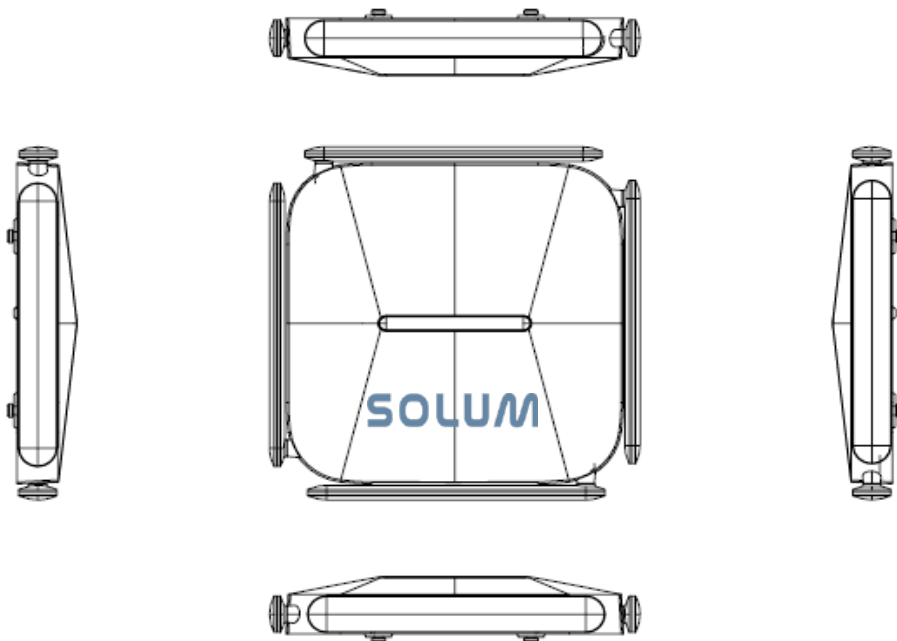
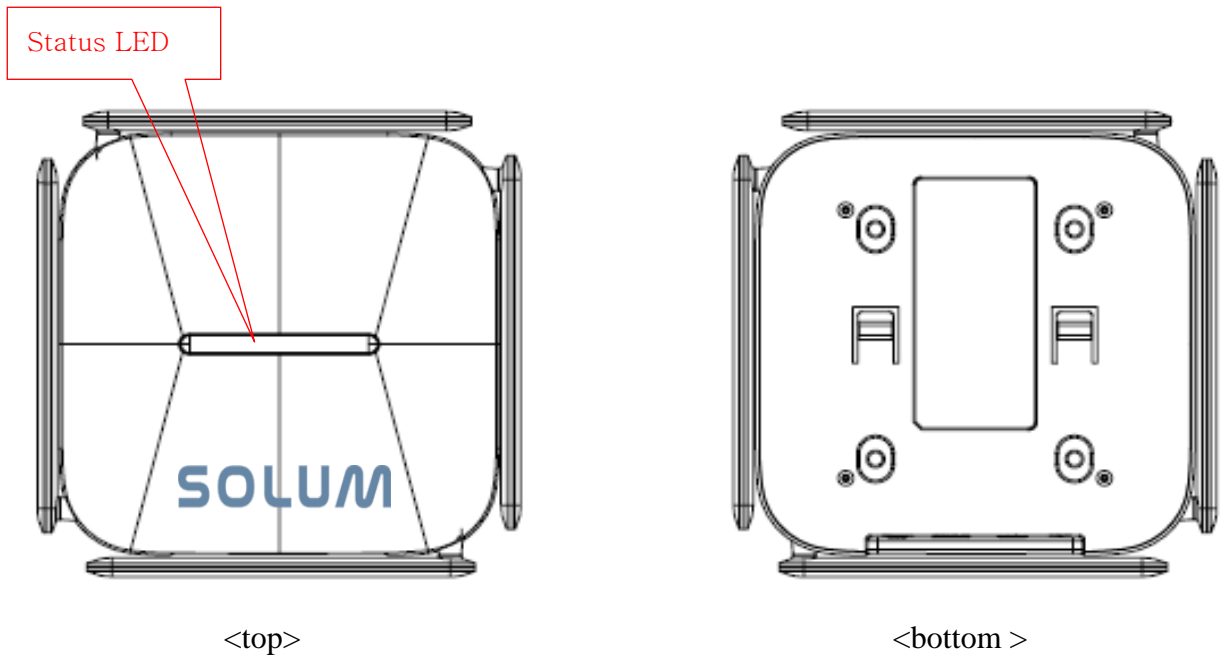
3.2.1 Gateway

Category		Specification	Note
2.4GHz RF	Antenna Type	External Antenna	2EA
		Internal Antenna	1EA
	Frequency Band (Tx, Rx)	2402MHz ~ 2480MHz	
	Antenna gain	External : 3.4 dBi Internal : 3.2 dBi	Peak gain
Sub-GHz RF	Antenna Type	External Antenna	2EA
	Frequency Band (Tx, Rx)	▷ Korea-KC : 917~923.5 MHz ▷ FCC,Canadian : 902~928 MHz ▷ Europe-CE : 863~868 MHz	
	Antenna gain	4.7 dBi	Peak gain
Operating Temperature		0°C to +40°C	
Power		<ul style="list-style-type: none"> ■ PoE (Power over Ethernet (IEEE802.3af)) <ul style="list-style-type: none"> 1) Input Voltage Range :36~57VDC 2) Nominal Input Voltage : 48VDC ■ DC Input (AUX) <ul style="list-style-type: none"> 1) Input Voltage Range :5~12VDC 2) Input Power : 10W 	

4. Product Description

4-1 Exterior

4.1.1 Gateway

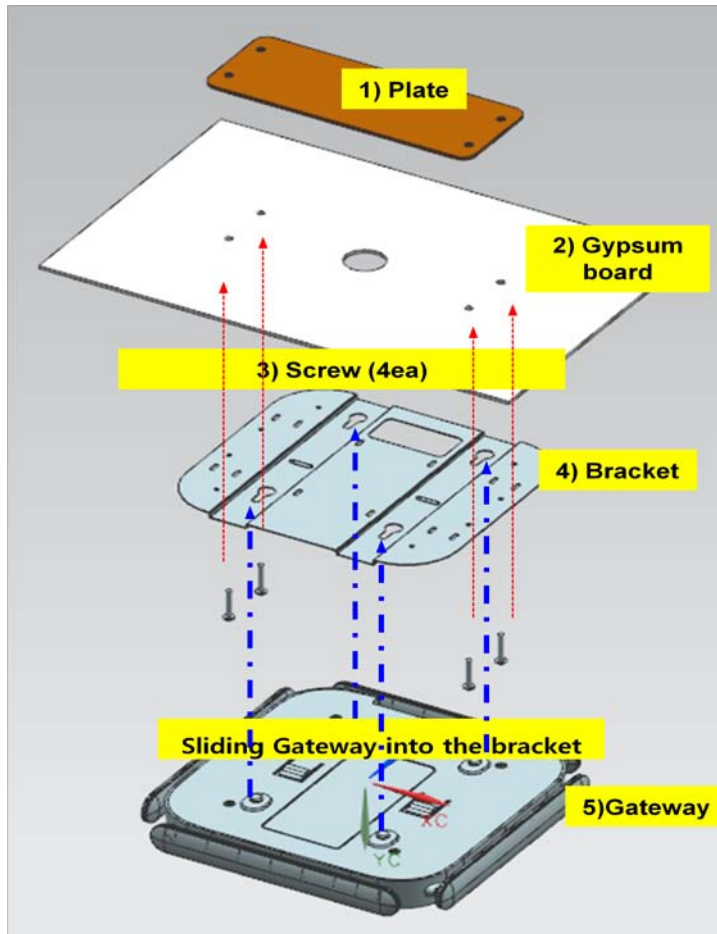


5. Product Installation

5-1 Gateway

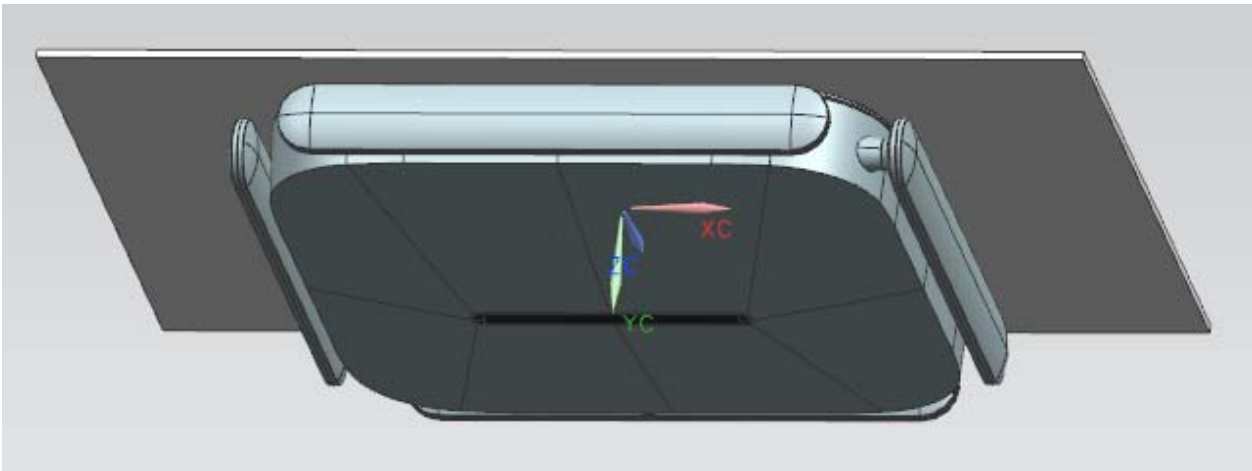
- Components (includes installation accessories – bracket, screws)

Installation

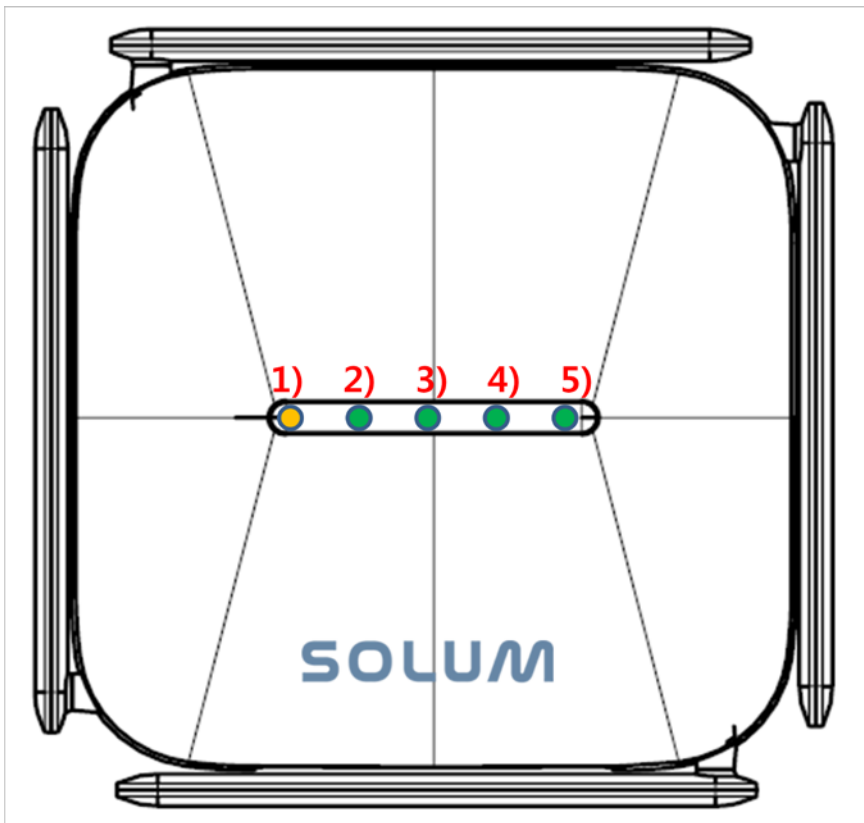


- a) Drill 4 holes on the wall or ceiling to align with Plates (1). Refer to the attached diagram.
- b) Drill two $\Phi 10$ holes on the wall or ceiling for Ethernet Cable. Refer to the attached diagram.
- c) Align the mounting bracket holes(4) to the holes drilled through the wall or ceiling from step a)
- d) SMPS Adapter and Ethernet Cable through the two $\Phi 10$ holes made from step b).
- e) Use Screws(3) to completely secure the mounting bracket and Wall or Ceiling.

f) Sliding gateway (5) into mounting bracket.



Operation Check



- 1) Network LED
- 2) 2.4G SIL LED
- 3) 2.4G TML LED
- 4) SubG SIL LED
- 5) SubG TML LED

< Connect Ethernet Cable with PoE or Connect SMPS adapter and Ethernet cable first . >

- 1) Network : ON if Ethernet link is connected
- Check every 1sec whether Ethernet link is connected.
- 2) 2.4GHz SIL : Blink (duration 1sec) if Server interface layer is operated.
- Check operation of Server interface layer
- 3) 2.4GHz TML : Blink (duration 1sec) if RF MODEM is operated.
- Check operation of RF MODEM interface layer
- 4) Sub GHz SIL : Blink (duration 1sec) if Server interface layer is operated.
- Check operation of Server interface layer
- 5) Sub GHz TML : Blink (duration 1sec) if RF MODEM layer is operated.
- Check operation of RF MODEM interface layer

Installation

a) Map product information and tag IDs.

Each tag has a unique 1) MAC Address that serves as the tag's ID.

Map 1) MAC Addresses of the tags and 2) barcodes of the products.

Using a PDA or higher as the operating system and a barcode scanner, scan the tag's 1) MAC Address and then the product's barcode to map.

(1) MAC Address



(2) Product Barcode



+

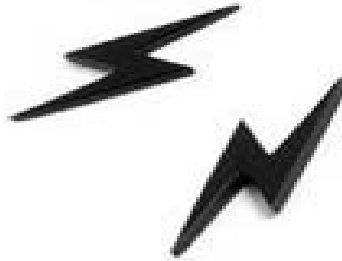


(3) Industrial PDA

b) Register product and tag mapping information.

Using the PDA's WLAN feature, register mapping data with the 4) Server.

(4) Server



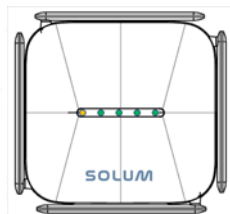
c) Attach a back rail to the shelf (secure using double-sided tape or screws).

d) Attach end and middle caps to the middle rail.

e) Take a tag that has been mapped from step a) and insert to the middle rail from step d). Here, make sure to align the tag and the rail grooves properly.

f) Slide in the middle rail to the fixed back rail.

g) Products information on Tags such as price will be updated from the server regularly via gateway



WARNING : This equipment may generate or use radio frequency energy. Changes or modifications to this equipment may cause harmful interference unless the modifications are expressly approved in the instruction manual. The user could lose the authority to operate this equipment if an unauthorized change or modification is made.

This device complies with part 15 of the FCC Rules. Operation is subject to the following two conditions: (1) This device may not cause harmful interference, and (2) this device must accept any interference received, including interference that may cause undesired operation.

NOTE : This equipment has been tested and found to comply with the limits for a Class B digital device, pursuant to part 15 of the FCC Rules. These limits are designed to provide reasonable protection against harmful interference in a residential installation. This equipment generates, uses and can radiate radio frequency energy and, if not installed and used in accordance with the instructions, may cause harmful interference to radio communications. However, there is no guarantee that interference will not occur in a particular installation. If this equipment does cause harmful interference to radio or television reception, which can be determined by turning the equipment off and on, the user is encouraged to try to correct the interference by one or more of the following measures:

- Reorient or relocate the receiving antenna.
- Increase the separation between the equipment and receiver.
- Connect the equipment into an outlet on a circuit different from that to which the receiver is connected.
- Consult the dealer or an experienced radio/TV technician for help.

Caution

This device complies with FCC radiation exposure limits for an uncontrolled environment. Avoid operating this device at a distance less than 20cm from the user