

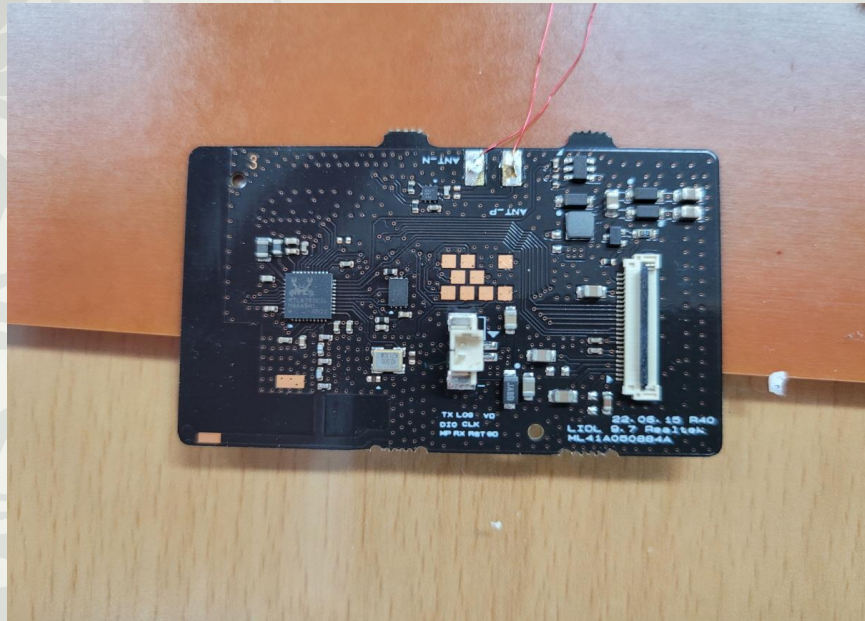
ART SIGNAL

ANTENNA TOTAL SOLUTION

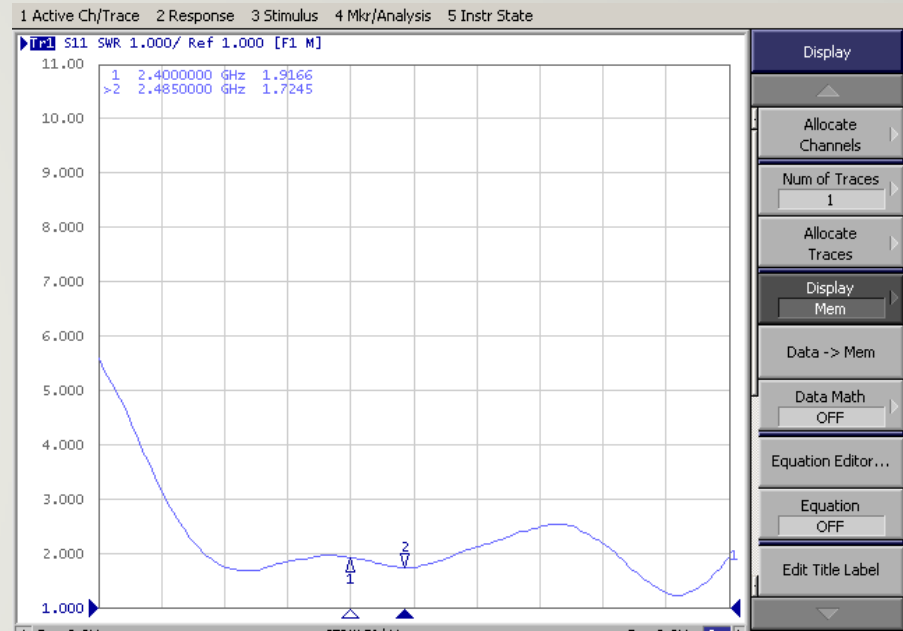


Solu-M M3 9.7INCH#2 2.4G ANT DATA - Network & 3D gain

Picture



VSWR

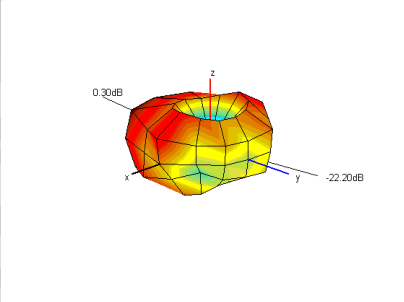
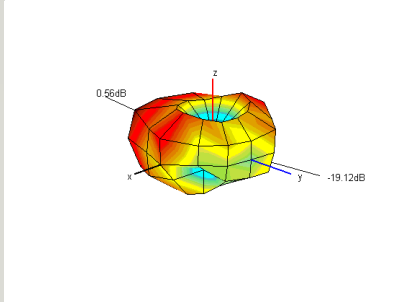
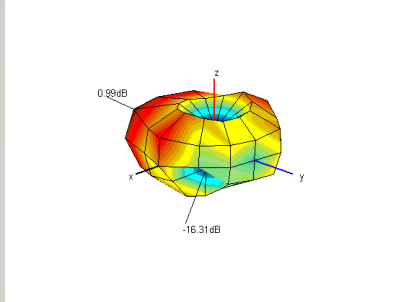
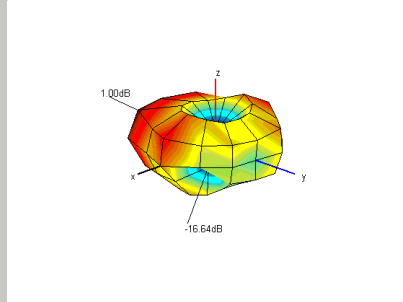


3D gain

	1	2	3	4	5
Frequency [MHz]	2400	2420	2440	2460	2485
Efficiency [dB]	-5.35	-5.09	-4.67	-4.58	-4.58
Efficiency [%]	29.2	31.0	34.1	34.9	34.8
Peak Gain [dB]	0.30	0.56	0.99	1.00	0.86
Directivity [dB]	5.66	5.65	5.66	5.58	5.44
Minimum Gain [dB]	-22.20	-19.12	-16.31	-16.64	-16.13

2.4G ANT DATA – 3D Radiation Pattern

3D Radiation Pattern

2400	2420	2440	2460
			
2485			
