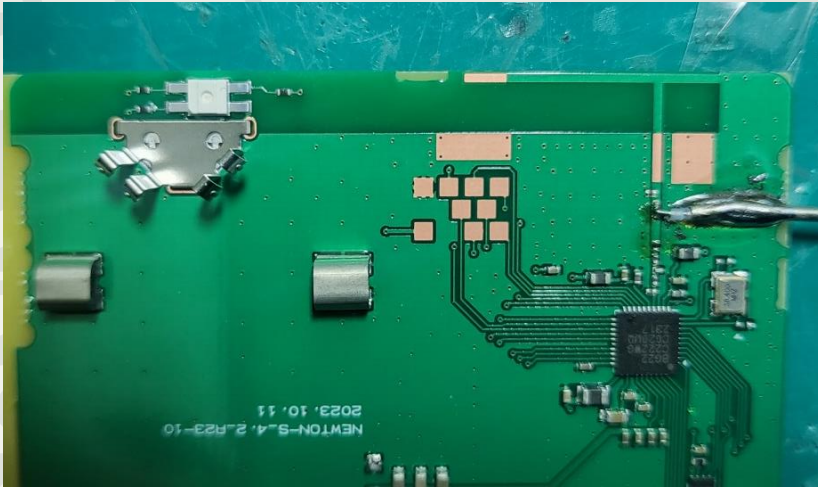
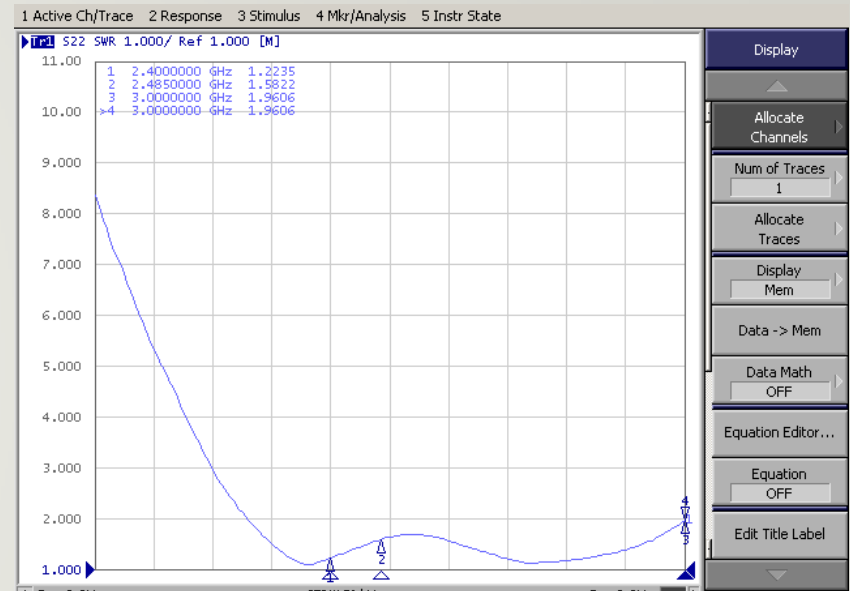


# Solu-M Newton-S 4.2" #1 TEST DATA

Picture



VSWR

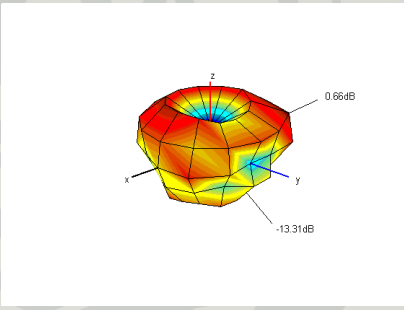
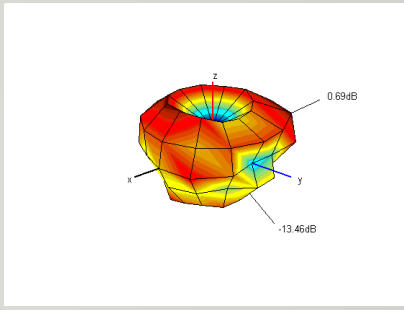
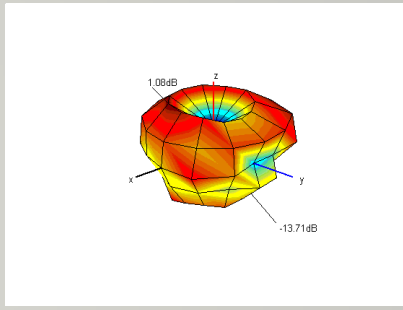
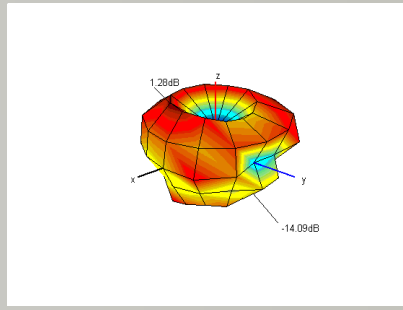
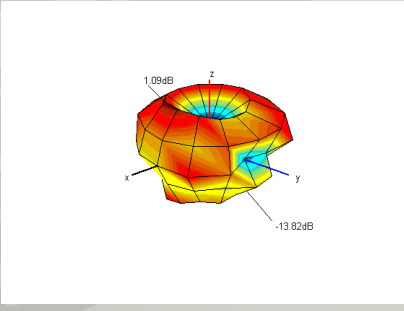


3D gain

	1	2	3	4	5
<b>Frequency [MHz]</b>	2400	2420	2440	2460	2485
<b>Efficiency [dB]</b>	-3.20	-2.92	-2.61	-2.60	-2.95
<b>Efficiency [%]</b>	47.8	51.0	54.8	54.9	50.7
<b>Peak Gain [dB]</b>	0.66	0.69	1.08	1.28	1.09
<b>Directivity [dB]</b>	3.87	3.61	3.69	3.88	4.04
<b>Minimum Gain [dB]</b>	-13.31	-13.46	-13.71	-14.09	-13.82

## 2.4G ANT DATA – 3D Radiation Pattern

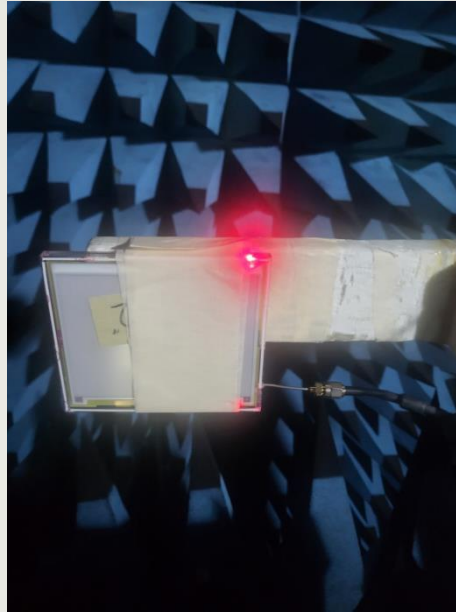
### 3D Radiation Pattern

2400	2420	2440	2460
			
2485			
			

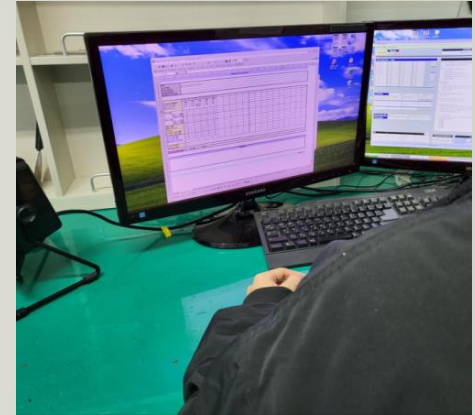
## Measurement Procedure



Network Analyzer을  
이용하여 VSWR 측정



3D Chamber에 Set 거치



Program을 이용하여  
Gain 측정

# Measurement Equipment

## Network Analyzer



**E5071B (Agilent)**



**8753ES (Agilent)**



**CTIA 3D OTA Chamber(A+Tech)**