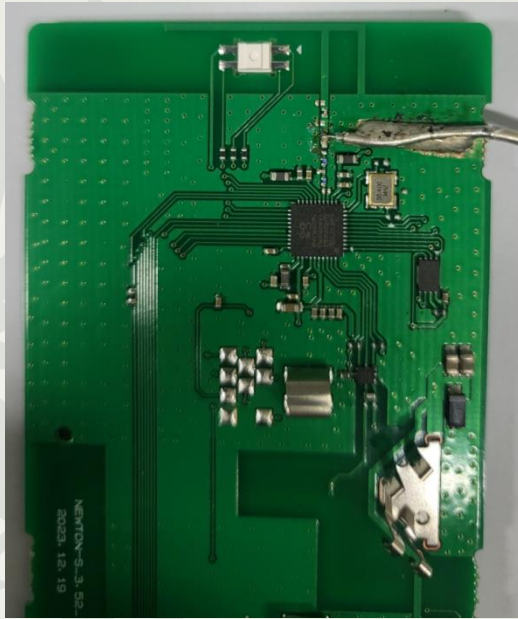
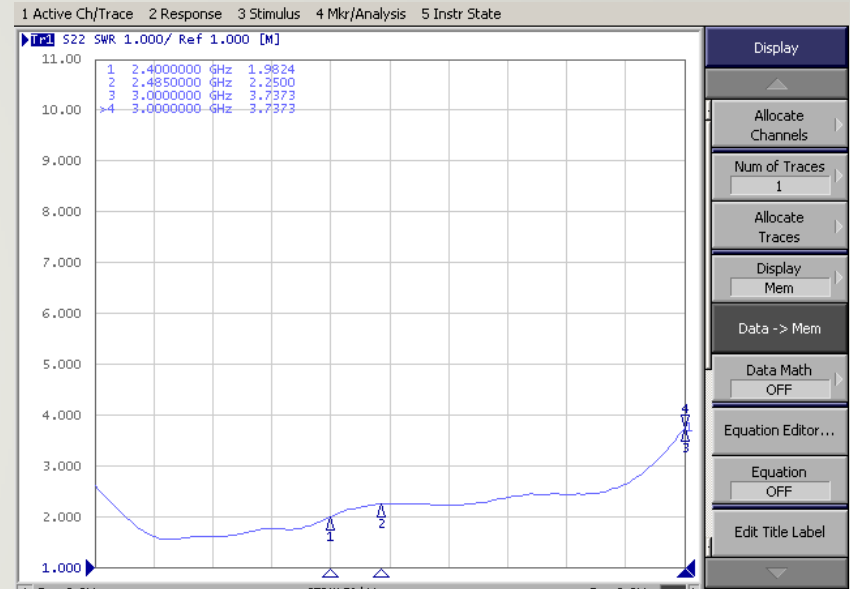


Solu-M Newton-PRO 3.52"R23-12 #2 TEST DATA

Picture



VSWR

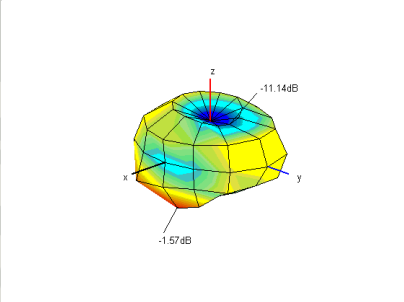
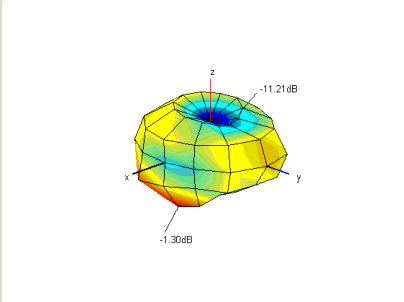
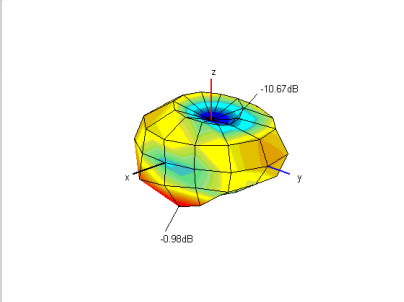
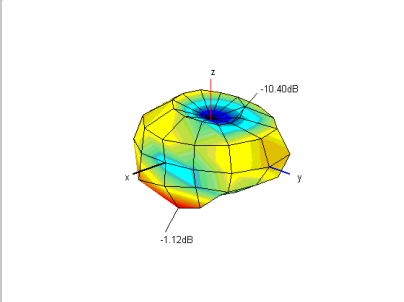


3D gain

	1	2	3	4	5
Frequency [MHz]	2400	2420	2440	2460	2485
Efficiency [dB]	-5.60	-5.35	-5.03	-5.27	-5.55
Efficiency [%]	27.6	29.2	31.4	29.7	27.8
Peak Gain [dB]	-1.57	-1.30	-0.98	-1.12	-0.92
Directivity [dB]	4.03	4.06	4.05	4.15	4.63
Minimum Gain [dB]	-11.14	-11.21	-10.67	-10.40	-11.13

2.4G ANT DATA - 3D Radiation Pattern

3D Radiation Pattern

2400	2420	2440	2460
			
2485			
