

ART SIGNAL

ANTENNA TOTAL SOLUTION

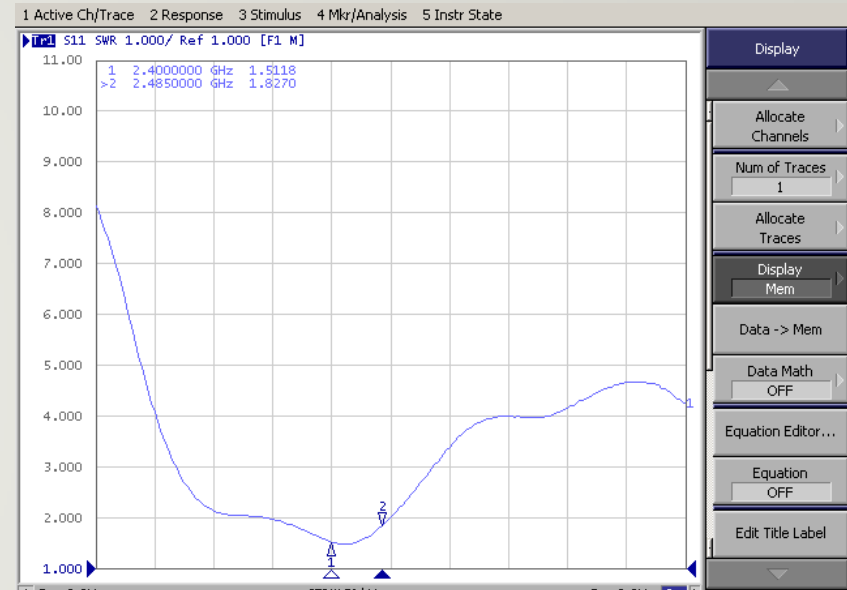


Solu-M Newton Lite Silabs 1.6 INCH TEST DATA

Picture



VSWR

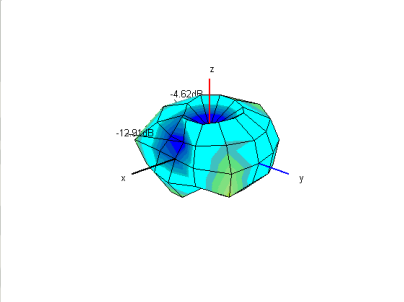
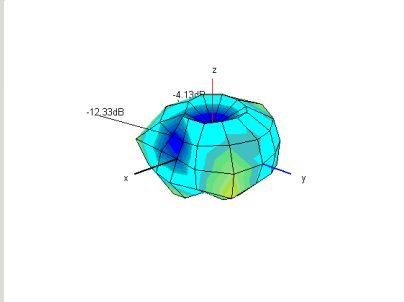
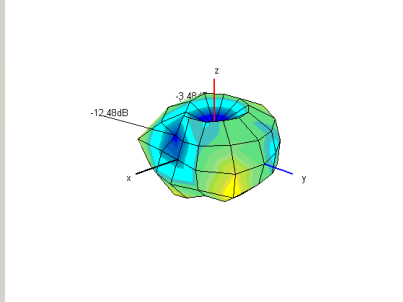
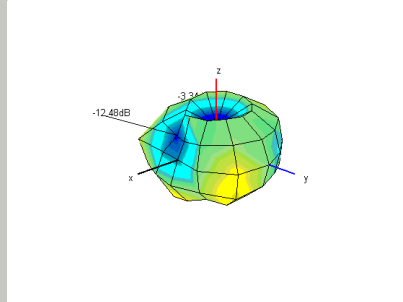
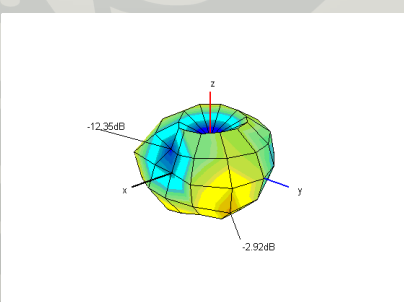


3D gain

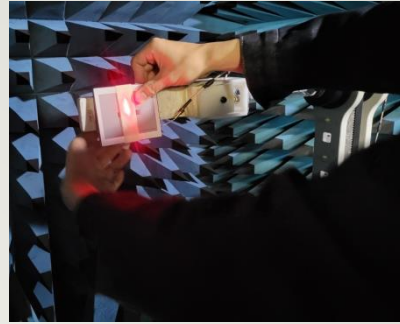
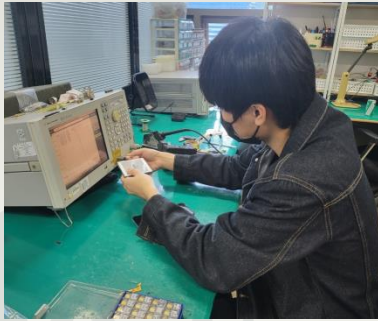
	1	2	3	4	5
Frequency [MHz]	2400	2420	2440	2460	2485
Efficiency [dB]	-7.43	-6.96	-6.29	-5.94	-5.80
Efficiency [%]	18.1	20.1	23.5	25.5	26.3
Peak Gain [dB]	-4.62	-4.13	-3.48	-3.34	-2.92
Directivity [dB]	2.81	2.83	2.81	2.60	2.88
Minimum Gain [dB]	-12.91	-12.33	-12.48	-12.48	-12.35

2.4G ANT DATA - 3D Radiation Pattern

3D Radiation Pattern

2400	2420	2440	2460
			
2485			
			

Measurement procedure 1. Network Analyzer → VSWR measurement → 3D Gain Test measurement



Measuring equipment 2.



E5071B Agilent



8753ES Agilent



Signature : Dongkyu Hwang

place : ART SIGNAL Co.,LTD. 1008-A, Woolim Lion's Valley 2nd, 146-8, Sangdaewon-dong,
Jungwon-gu, Seongnam-si, Gyeonggi-do, Korea.

We make the world 's best companies.
A leader in ANTENNA.

ART SIGNAL
ANTENNA TOTAL SOLUTION

