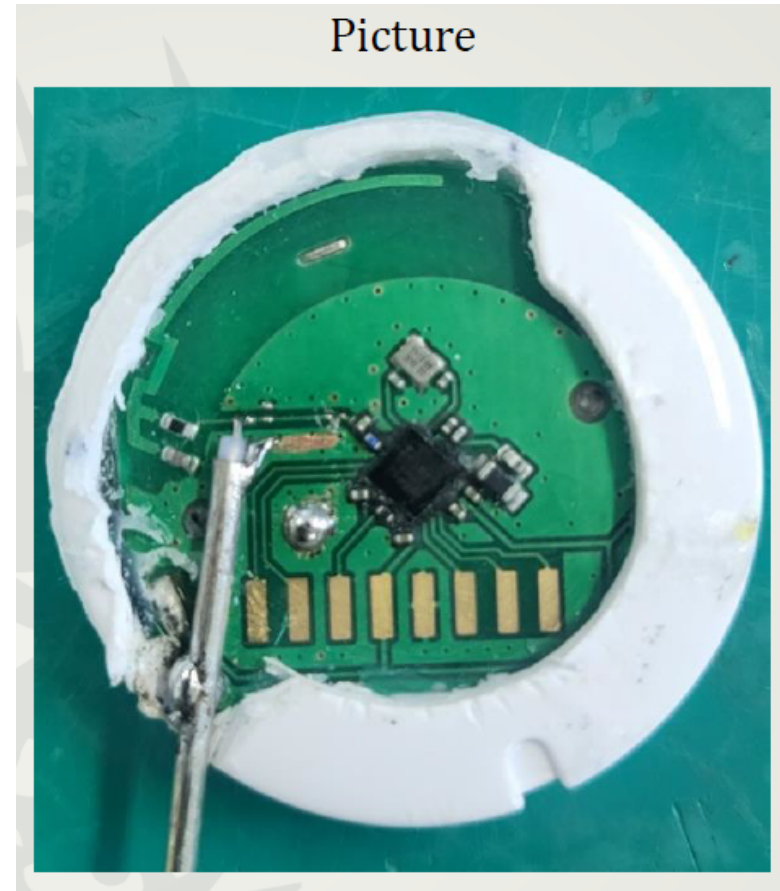
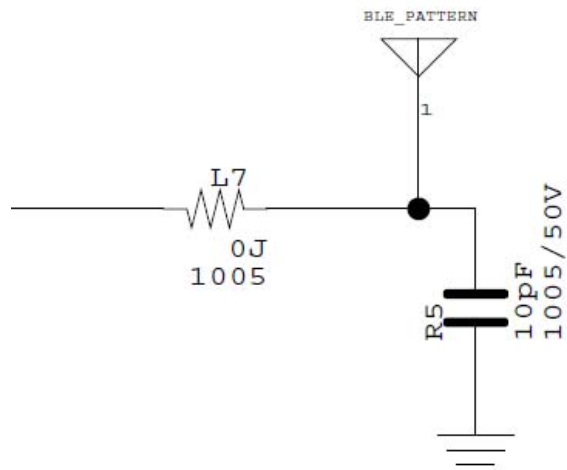


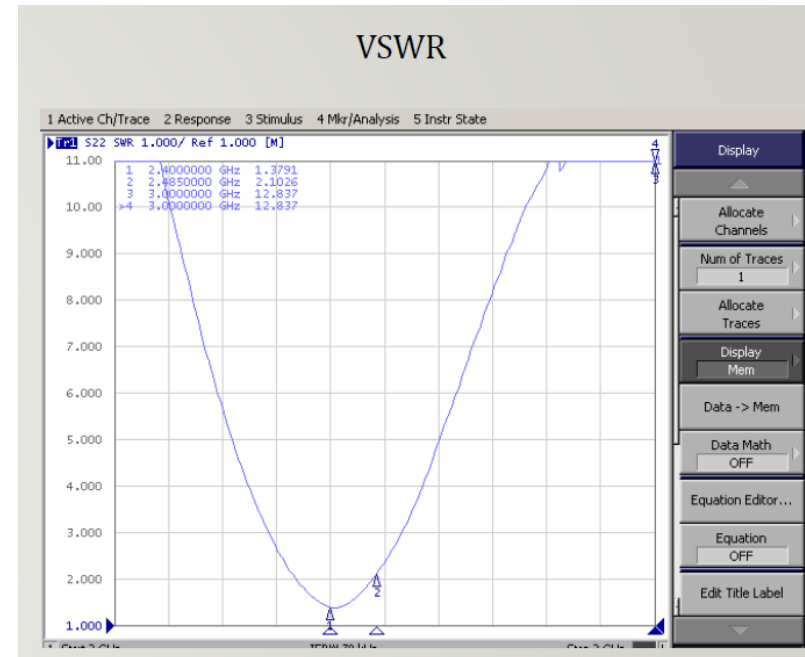
SoluM “CD16BTR01X 외 2종”

1. TEST condition



SoluM “CD16BTR01X 외 2종”

2. Passive TEST – VSWR & 3D gain

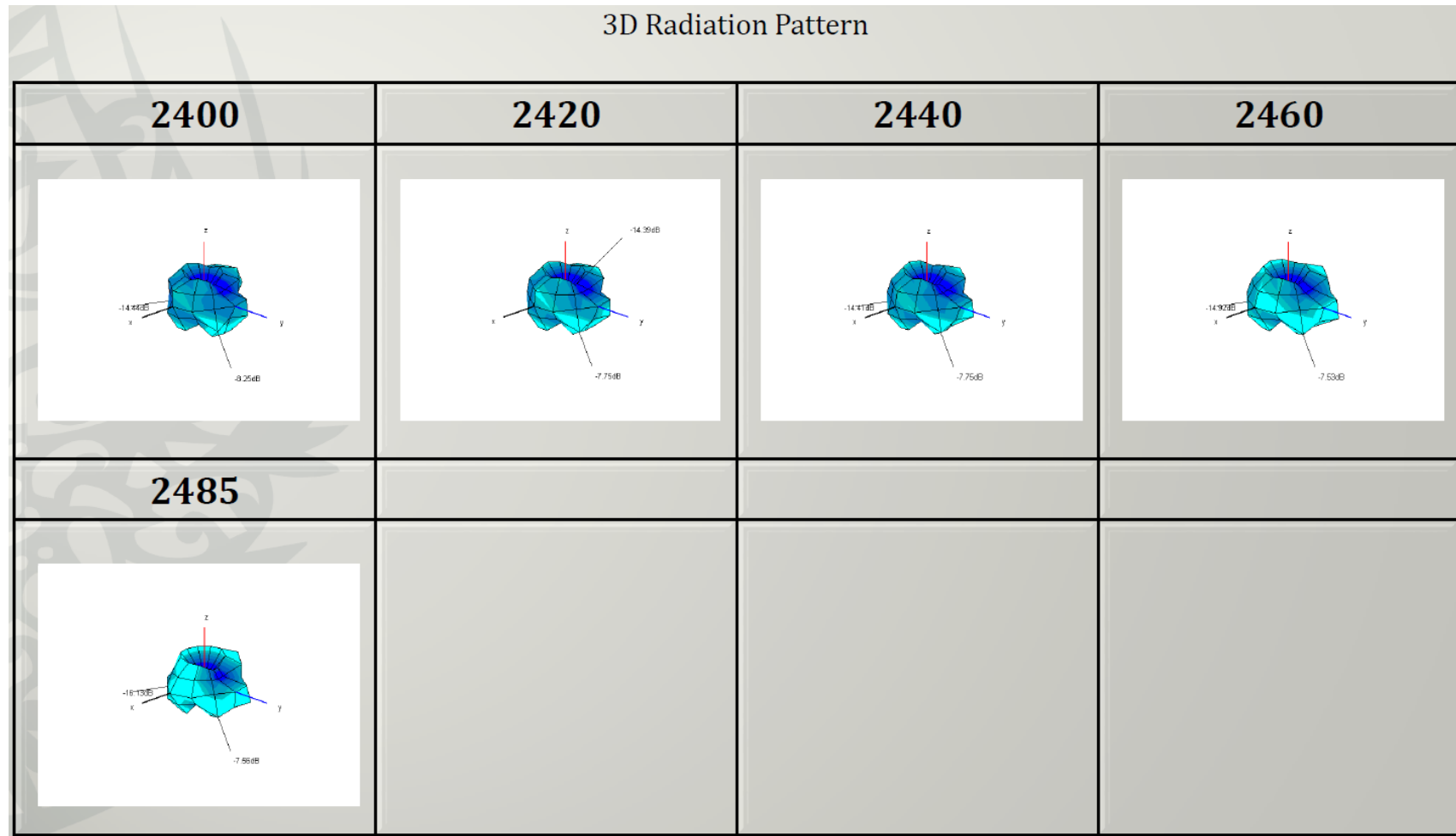


3D gain

	1	2	3	4	5
Frequency [MHz]	2400	2420	2440	2460	2485
Efficiency [dB]	-10.91	-10.70	-10.81	-10.70	-10.74
Efficiency [%]	8.1	8.5	8.3	8.5	8.4
Peak Gain [dB]	-8.25	-7.75	-7.75	-7.53	-7.56
Directivity [dB]	2.66	2.95	3.05	3.17	3.18
Minimum Gain [dB]	-14.44	-14.39	-14.41	-14.92	-16.13

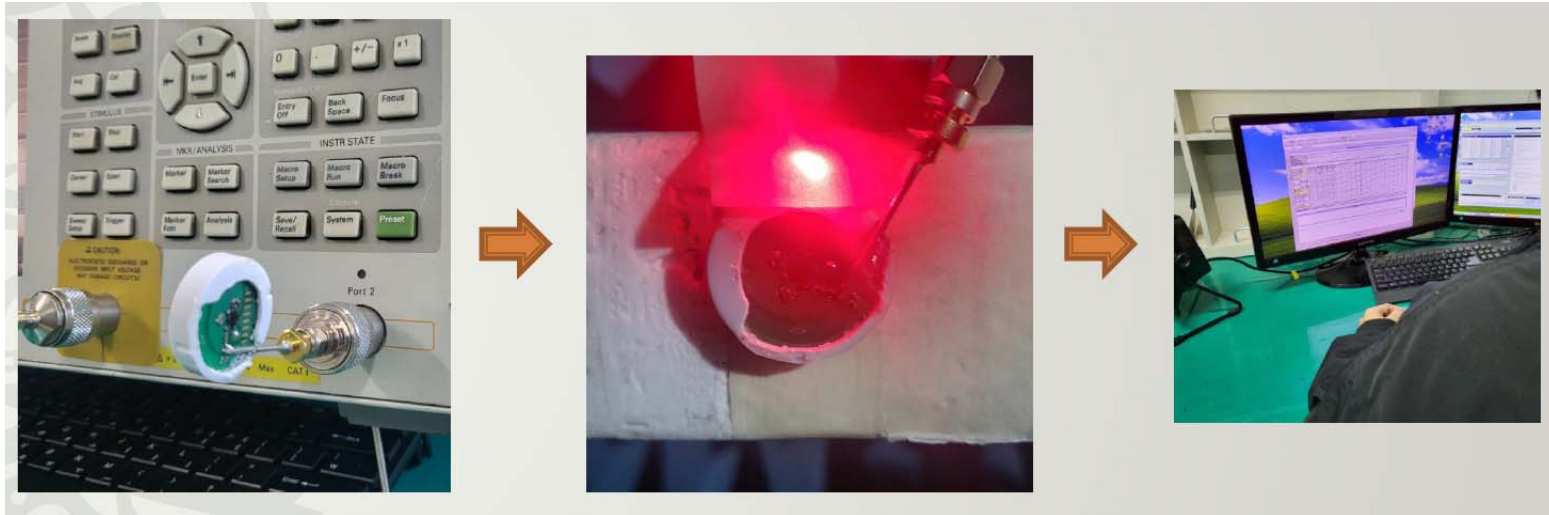
SoluM “CD16BTR01X 외 2종”

3. 3D radiation Pattern



ART SIGNAL CO., LTD

A. Measurement Procedure



B. Measurement Equipment

